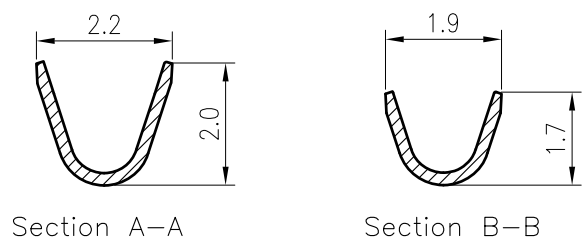
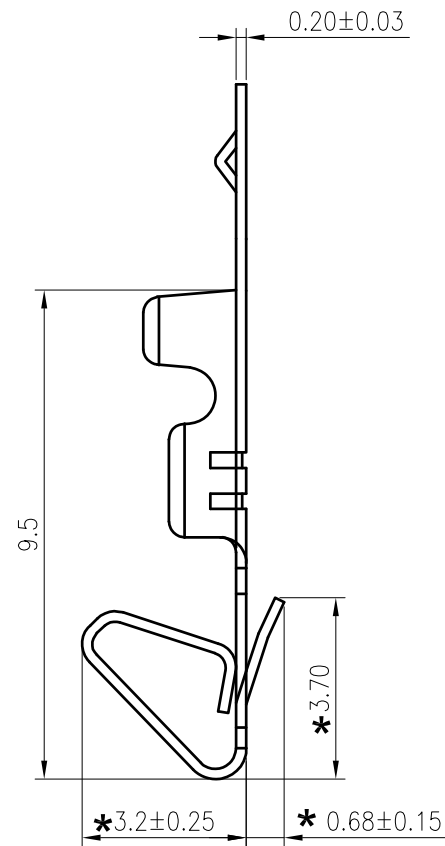
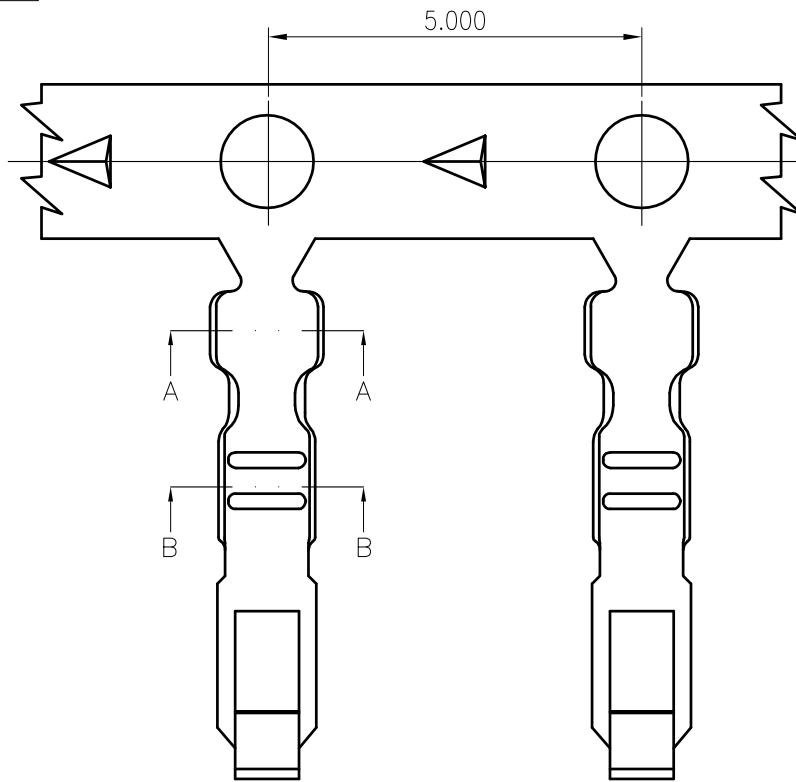


**RoHS**  
COMPLIANT



**SPECIFICATIONS**

1. Current rating: 3A AC, DC
2. Voltage rating: 250V AC,DC
3. Temperature range: -40°C ~ +105°C
4. Insulation resistance: 1000MΩ Min.
5. Withstanding voltage: 1000V AC/ minute.
6. Contact resistance: 20mΩ Max.

**Applicable Wires:**

AWG#22~#28

Insulation O.D. : 1.60mm MAX

Material: Phosphor Bronze or Brass

Plating: Tin plated over Nickel

Suitable KR2540 series housing

Q'ty/reel: 10,000PCS

**Ordering Code:**

T25400 \* T01 01A

└ P: Phosphor bronze

└ B: Brass

|      |                      |           |      |             |                        |           |                              |  |  |  |
|------|----------------------|-----------|------|-------------|------------------------|-----------|------------------------------|--|--|--|
|      |                      |           |      | TOLERANCE   | TITLE: MX2510 Terminal |           | DRAWN: Liujingtian 2020.5.12 |  | KONNRA 东莞市康瑞电子有限公司<br>DongGuan Konnra Electronics Co.,Ltd. |  |
|      |                      |           |      | X.X ±0.30   |                        |           | CHECKED:                     |  | PART NO.: T25400*T0101A                                    |  |
|      |                      |           |      | X.XX ±0.20  |                        |           | APPROVED:                    |  |  |  |
|      |                      |           |      | X.XXX ±0.10 |                        |           | SHEET: 1/1                   |  |  |  |
|      |                      |           |      | Angle ±2°   | UNIT:mm                | SCALE:N/A | REV.:A2                      |  | DRAWING NO.:2540T101-A-S                                   |  |
| MARK | REVISION DESCRIPTION | SIGNATURE | DATE |             |                        |           |                              |  |  |  |
| 1    | 2                    | 3         | 4    |             |                        |           |                              |  |  |  |