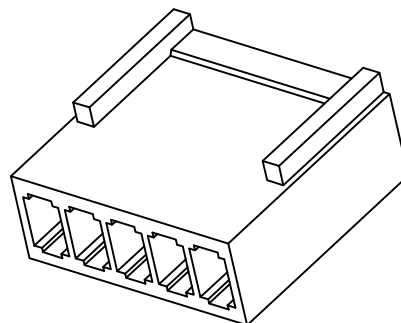
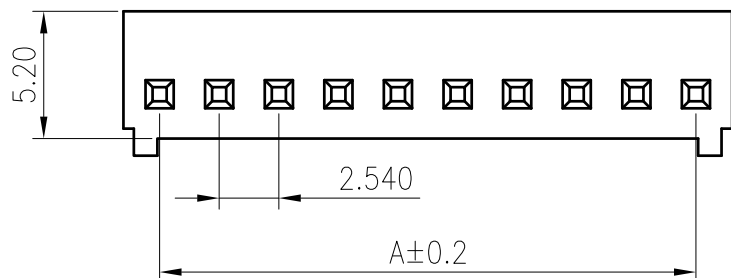


RoHS
COMPLIANT



SPECIFICATIONS

1. Current rating: 3A AC, DC
2. Voltage rating: 250V AC, DC
3. Temperature range: -40°C ~ +105°C
4. Insulation resistance: 1000MΩ/ min.
5. Withstanding voltage: 1000V AC/ minute.
6. Contact resistance: 20mΩ/ max.

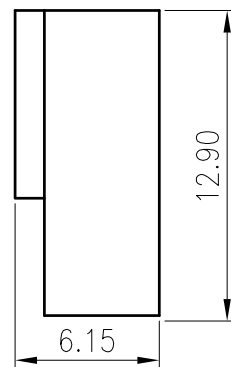
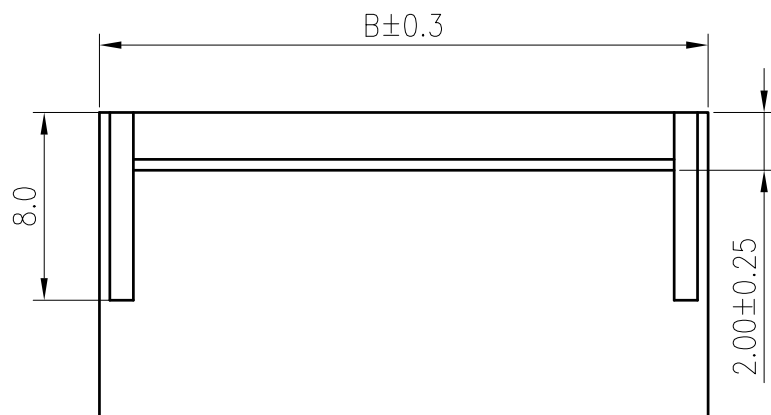
Material: PA66 UL 94V-0
Suitable KR2540 series terminal
Mate with KR2540 series wafer

Ordering Code:

H25400 *** ** 01A

No. of Circuits
102:2, 115:15

Insulator Material
22: PA66 Beige V0



Circuits	Dimensions		Circuits	Dimensions	
	A	B		A	B
2	2.54	5.63	9	20.32	23.41
3	5.08	8.17	10	22.86	25.95
4	7.62	10.71	11	25.40	28.49
5	10.16	13.25	12	27.94	31.03
6	12.70	15.79	13	30.48	33.57
7	15.24	18.33	14	33.02	36.11
8	17.78	20.87	15	35.56	38.65



MARK

1

2

3

4

5

6

7

8

9

TOLERANCE
X.X ±0.30
X.XX ±0.20
X.XXX ±0.10
Angle ±2°

TITLE:
MX 2510 Housing

DRAWN: *Arvin 2020.04.30*

CHECKED:

APPROVED:

UNIT: mm SCALE: N/A

SHEET: 1/1

PROJECTION

KONNRA 东莞市康瑞电子有限公司
DongGuan Konnra Electronics Co., Ltd.

PART NO.: H25400***2201A

REV.: A2 DRAWING NO.: 2540H101-A-S

Uniformly arrange the drawings Arvin 2020.04.30

REVISION DESCRIPTION

SIGNATURE

DATE