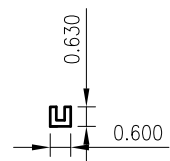
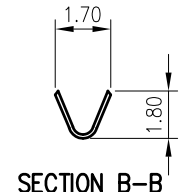
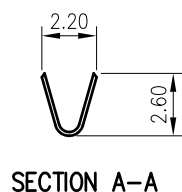
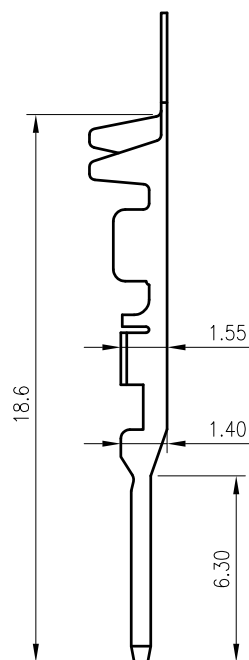
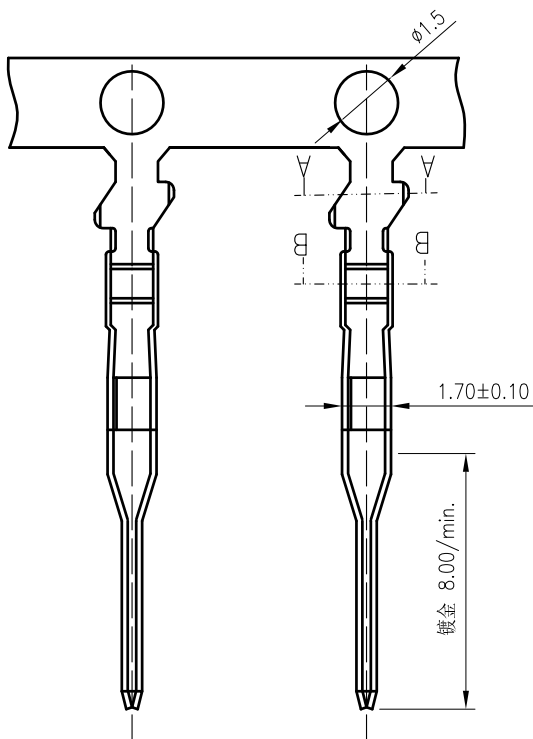


RoHS
COMPLIANT



SPECIFICATIONS

1. Current rating: 3A AC, DC
2. Voltage rating: 250V AC,DC
3. Temperature range: -40°C ~ +105°C
4. Insulation resistance: 1000MΩ Min.
5. Withstanding voltage: 1500V AC/ minute.
6. Contact resistance: 20mΩ Max.

Applicable Wires:

AWG#22~#28

Insulation O.D. : 1.70mm MAX

Material: Brass

Plating: Tin plated over nickel

Selective gold flash over nickel

Suitable KR2542 series housing

Q'ty/reel: 10,000 PCS

F					TOLERANCE	TITLE:	DRAWN:	KONNRA 东莞市康瑞电子有限公司 DongGuan Konnra Electronics Co.,Ltd. PART NO.: T2542MBB0101C REV.: A2 DRAWING NO.: 2542TM101-C-S		
					X.X ±0.30	DP2.54 公Terminal	CHECKED:			
		更改料号及图框格式	Arvin	2020.03.05	X.XX ±0.20		APPROVED:			
	MARK	REVISION DESCRIPTION	SIGNATURE	DATE	X.XXX ±0.10	UNIT:mm	SCALE:N/A			
	1	2	3	4	5	6	7	8	9	