

**RoHS**  
COMPLIANT

◆ SPECIFICATIONS

- Current rating: 3A AC, DC
- Voltage rating: 250V AC, DC
- Temperature range: -40° C ~ +105° C
- Insulation resistance: 500MΩ Min.
- Withstanding voltage: 500V AC/ minute.

Material: Plastic UL94 V-0

Circuits: 2~4

Suitable: KR2517 series

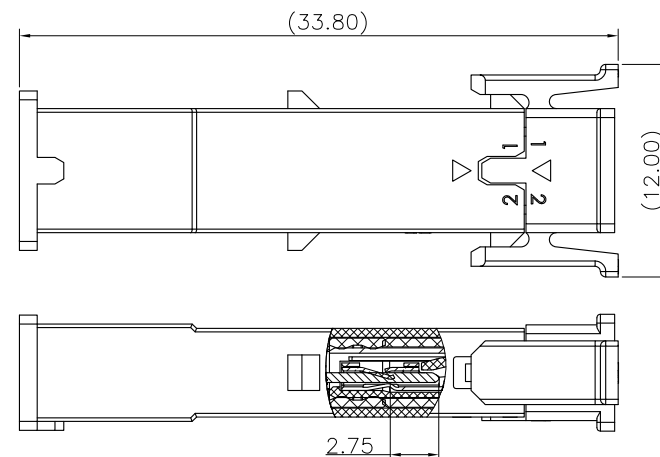
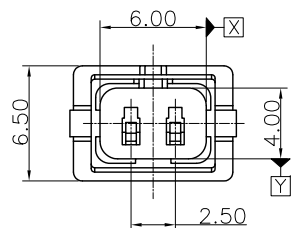
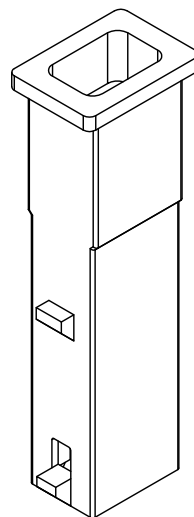
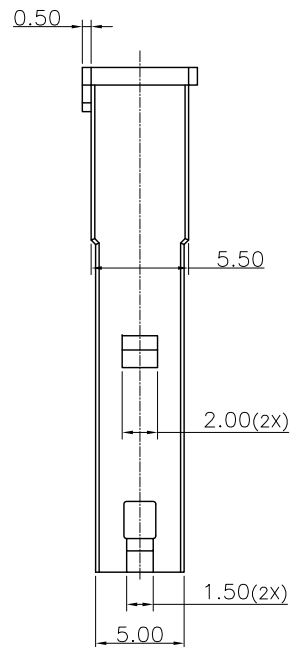
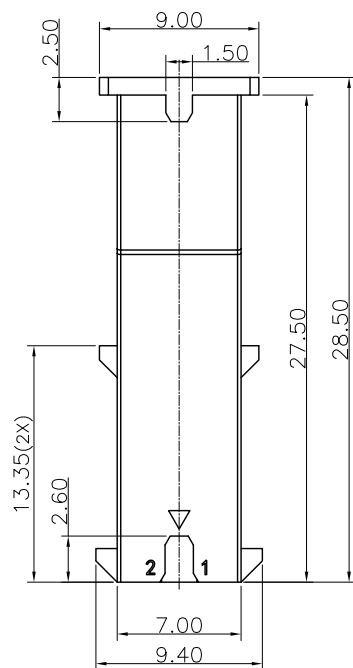
Ordering Code:

H2517F\*\*\*\*01A

102=02P — 01:PA66 UL94 V-0 white

103=03P

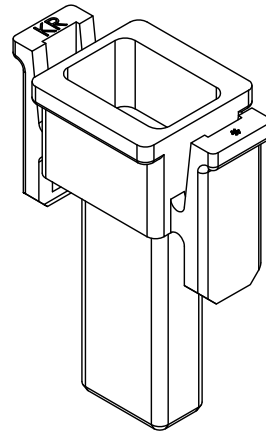
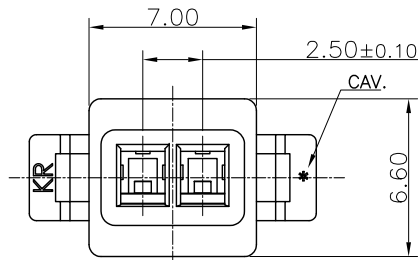
...



MATED CONNECTORS

MARK	REVISION DESCRIPTION	SIGNATURE	DATE	TOLERANCE	TITLE:	DRAWN:	CHECKED:	APPROVED:	REV.: A2	DRAWING NO.:
A2	Add mated connectors	Shen	2022.09.24	X.X ±0.30	M12.50 Female Housing, Inner Buckle	Shen 2021.09.26				KONNRA 东莞市康瑞电子有限公司 DongGuan Konnra Electronics Co.,Ltd. PART NO.: H2517F1020101A REV.: A2 DRAWING NO.: 2517H01-C-Q
A1	New Specification	Shen	2021.09.26	X.XX ±0.20						
				X.XXX ±0.10						
				Angle ±2°	UNIT:mm	SCALE: 1/1	SHEET: 1/1	PROJECTION		

RoHS  
COMPLIANT



◆ SPECIFICATIONS

- Current rating: 3A AC, DC
- Voltage rating: 250V AC, DC
- Temperature range: -40° C ~ +105° C
- Insulation resistance: 500MΩ Min.
- Withstanding voltage: 500V AC/ minute.

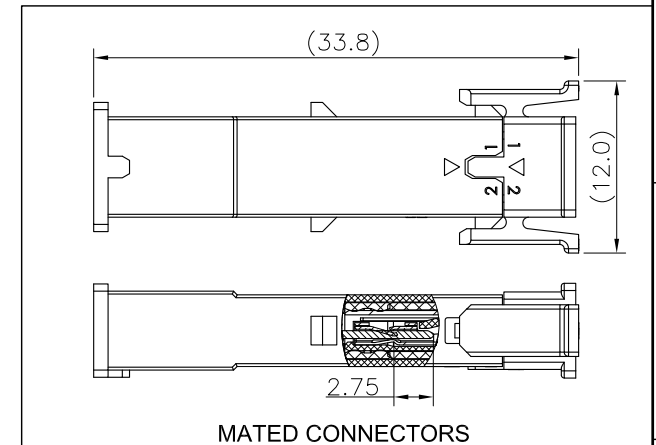
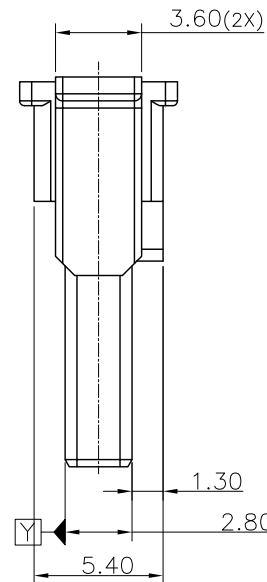
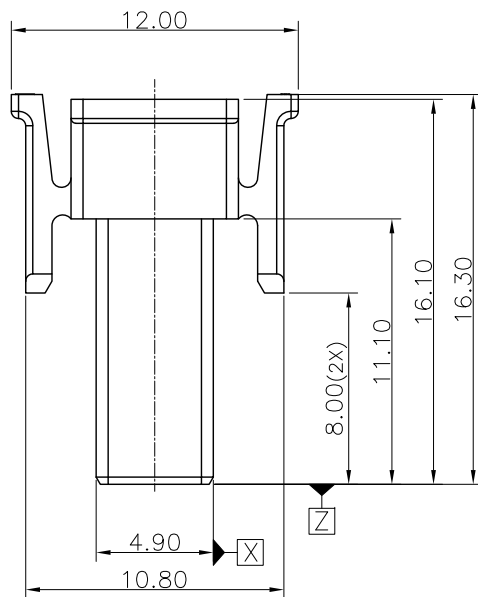
Material: Plastic UL94 V-0  
Circuits: 2~4  
Suitable: KR2517 series

Ordering Code:

H2517M\*\*\*\*\*01B

102=02P      01:PA66 UL94 V-0 white  
103=03P

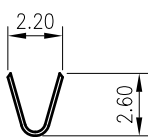
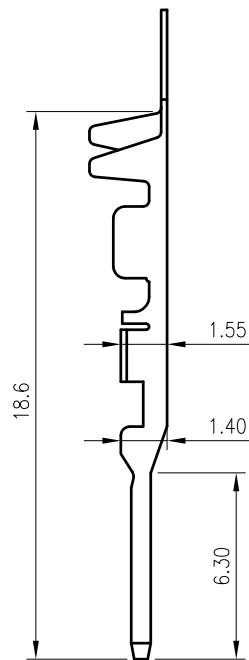
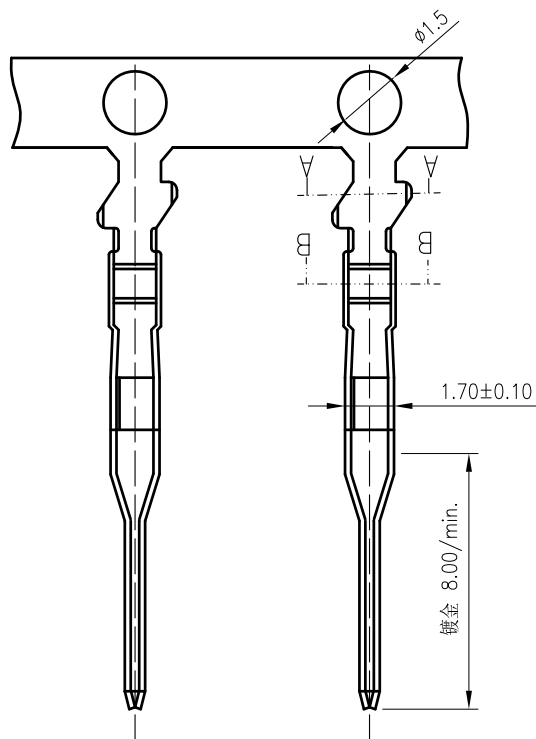
...



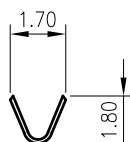
MATED CONNECTORS

MARK		REVISION DESCRIPTION	SIGNATURE	DATE	TOLERANCE	TITLE:	DRAWN:	KONNRA 东莞市康瑞电子有限公司 DongGuan Konnra Electronics Co.,Ltd.		
△2		Add mated connectors	Shen	2022.09.24	X.X ±0.30	M12.50 Male housing, Inner buckle	Shen 2021.10.08	PART NO.: H2517M*****01B		
△1		New Specification	Shen	2021.10.08	X.XX ±0.20		CHECKED:	REV.: A2		
					X.XXX ±0.10		APPROVED:	DRAWING NO.: 2517H01-B-Q		
					Angle ±2°	UNIT:mm	SCALE: 1/1	SHEET: 1/1	PROJECTION	

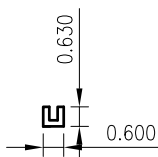
**RoHS**  
COMPLIANT



SECTION A-A



SECTION B-B



**SPECIFICATIONS**

1. Current rating: 3A AC, DC
2. Voltage rating: 250V AC,DC
3. Temperature range: -40°C ~ +105°C
4. Insulation resistance: 1000MΩ Min.
5. Withstanding voltage: 1500V AC/ minute.
6. Contact resistance: 20mΩ Max.

**Applicable Wires:**

AWG#22~#28

Insulation O.D. : 1.70mm MAX

**Material:** Brass

**Plating:** Tin plated over nickel

Selective gold flash over nickel

Suitable KR2542 series housing

Q'ty/reel: 10,000 PCS



MARK

1      2      3      4      5      6      7      8      9

TOLERANCE  
X.X ±0.30  
X.XX ±0.20  
X.XXX ±0.10  
Angle ±2°

TITLE:  
DP2.54 公Terminal

UNIT:mm SCALE:N/A

DRAWN: Arvin 2020.03.05

CHECKED:

APPROVED:

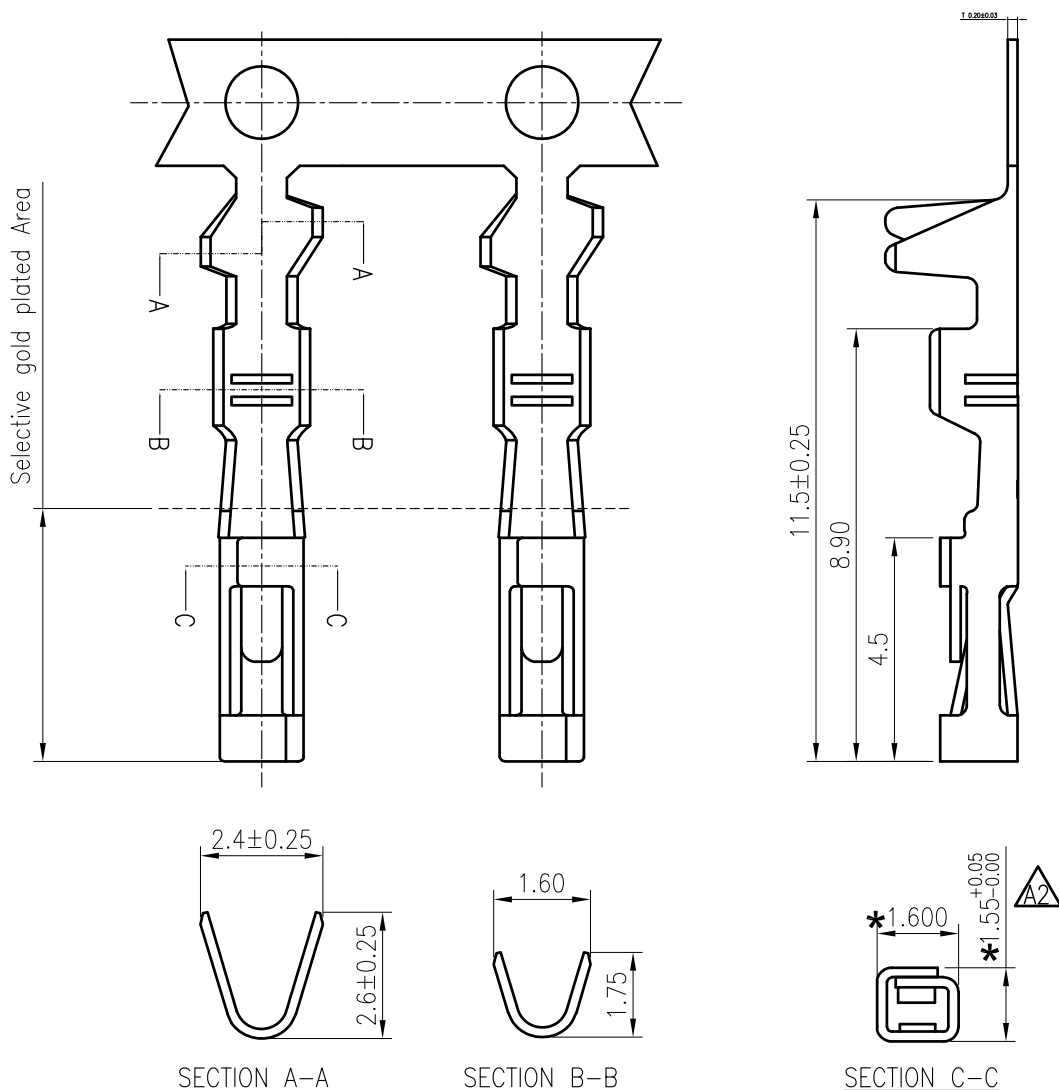
SHEET:1/1 PROJECTION

**KONNRA** 东莞市康瑞电子有限公司  
DongGuan Konnra Electronics Co.,Ltd.

PART NO.:T2542MBB0101C

REV.:A2 DRAWING NO.:2542TM101-C-S

**RoHS**  
COMPLIANT



**SPECIFICATIONS**

1. Current rating: 3A AC, DC
2. Voltage rating: 250V AC, DC
3. Temperature range: -40°C ~ +105°C
4. Insulation resistance: 1000MΩ/ min.
5. Withstanding voltage: 1500V AC/ minute.
6. Contact resistance: 20mΩ/ max.

Material: Brass

Plating: Tin plated or Selective gold flash over Nickel

Applicable wires:

AWG #28~#22

Insulation O.D.: 1.70mm Max.

Suitable KR2542 series housing

Qty/reel: 10,000PCS

"\*" 为重点检验尺寸

Ordering Code:

T2542FB T01 01D

Plating

T01: Tin plated

B01: Selective gold flash



MARK

Uniformly arrange the drawings

Arvin

2020.06.12

TOLERANCE  
X.X ±0.30  
X.XX ±0.20  
X.XXX ±0.10  
Angle ±2°

TITLE:  
DP2.54 Female  
Terminal

UNIT: mm

SCALE: N/A

DRAWN: Arvin 2020.06.12

CHECKED:

APPROVED:

SHEET: 1/1

PROJECTION

**KONNRA** 东莞市康瑞电子有限公司

DongGuan Konnra Electronics Co., Ltd.

PART NO.: T2542FB\*\*\*01D

REV.: A1

DRAWING NO.: 2542TF101-D-S

1

2

3

4

5

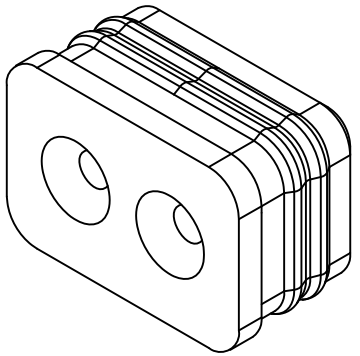
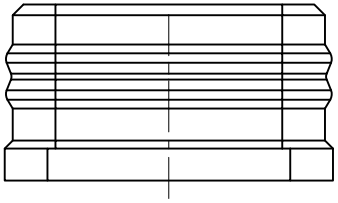
6

7

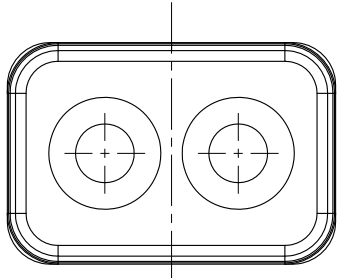
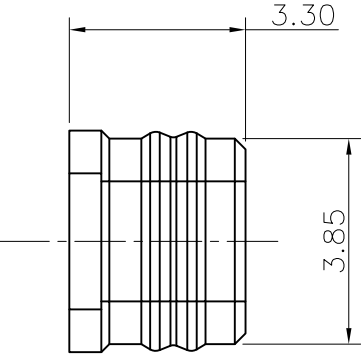
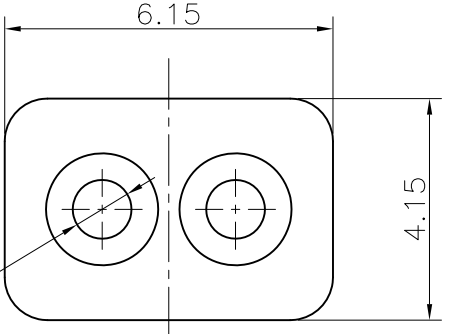
8

9

RoHS  
COMPLIANT



Material: Silica gel



				TOLERANCE		TITLE:		DRAWN: Shen 2021.12.10		KONNRA 东莞市康瑞电子有限公司	
				X.X ±0.30		M12.50 Envelope		CHECKED:		DongGuan Konnra Electronics Co.,Ltd.	
				X.XX ±0.20		Waterproof		APPROVED:		PART NO.: QK002003	
				X.XXX ±0.10		ring φ 1.10		SHEET: 1/1		DRAWING NO.: 2517Q03-A-Q	
MARK		REVISION DESCRIPTION		SIGNATURE		DATE		UNIT: mm		SCALE: 1/1	
A		B		C		D		E		F	



New specification

Shen

2021.12.10

Angle ±2°

UNIT: mm

SCALE: 1/1

SHEET: 1/1

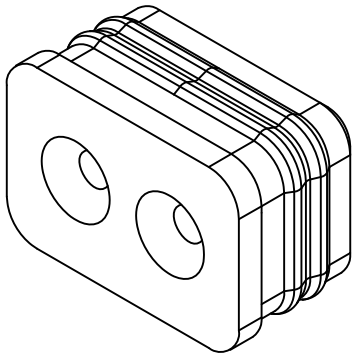
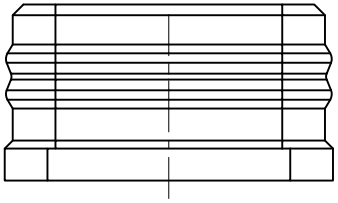
PROJECTION

REV.: A1

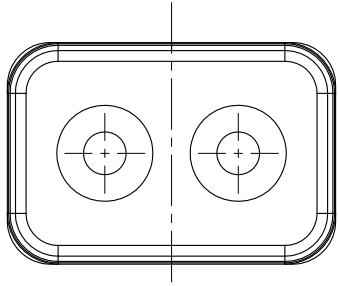
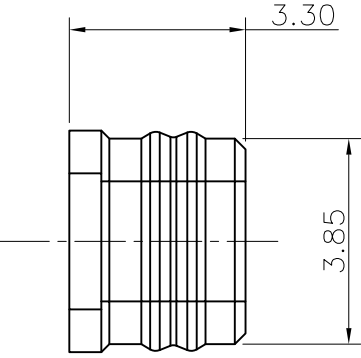
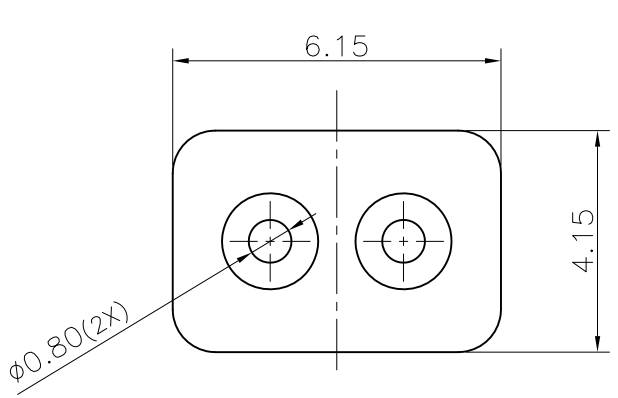
DRAWING NO.: 2517Q03-A-Q

1 2 3 4 5 6 7 8 9

**RoHS**  
COMPLIANT

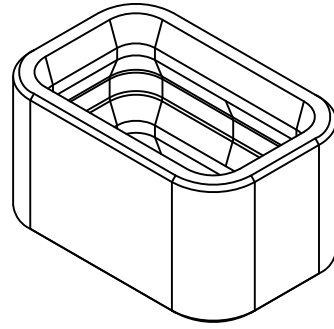
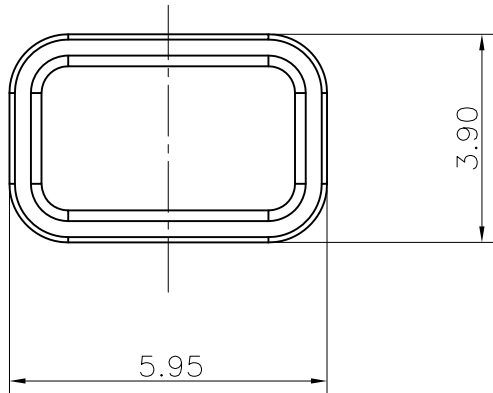


Material: Silica gel

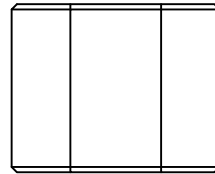
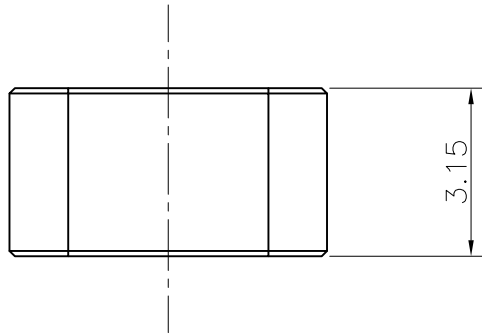


				TOLERANCE		TITLE:		DRAWN: Shen 2021.10.15		KONNRA 东莞市康瑞电子有限公司	
				X.X ±0.30		M12.50 Envelope		CHECKED:		DongGuan Konnra Electronics Co.,Ltd.	
				X.XX ±0.20		Waterproof		APPROVED:		PART NO.: QK002002	
				X.XXX ±0.10		ring φ 0.80		SHEET: 1/1		DRAWING NO.: 2517Q02-A-Q	
MARK		REVISION DESCRIPTION		SIGNATURE		DATE		UNIT: mm		SCALE: 1/1	
△		New specification		Shen		2021.10.15		PROJECTION		REV.: A2	

**RoHS**  
COMPLIANT

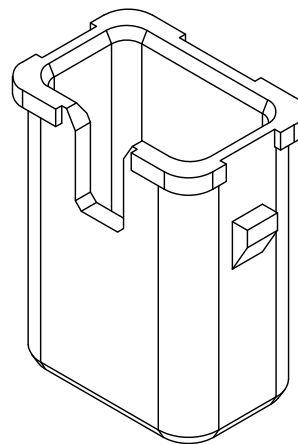
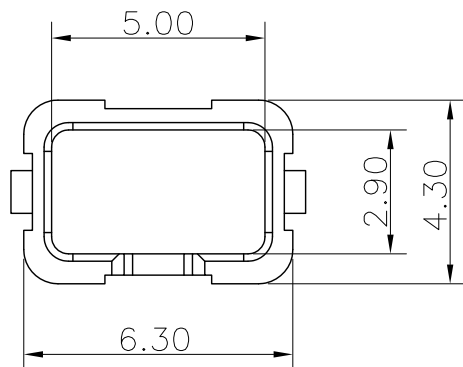


Material: Silica gel



				TOLERANCE	TITLE:		DRAWN: <i>Shen 2021.09.26</i>		KONNRA 东莞市康瑞电子有限公司		
				X.X ±0.30	M12.50 Insertion		CHECKED:		DongGuan Konnra Electronics Co.,Ltd.		
				X.XX ±0.20	Waterproof ring		APPROVED:		PART NO.: QK002001		
				X.XXX ±0.10			SHEET: 1/1		REV.: A1		
MARK		REVISION DESCRIPTION		SIGNATURE		DATE		UNIT: mm		SCALE: 1/1	
A		B		C		D		E		F	

**RoHS**  
COMPLIANT



NOTE:

Material: Plastic UL94 V-0

Ordering Code:

H2517M10231A

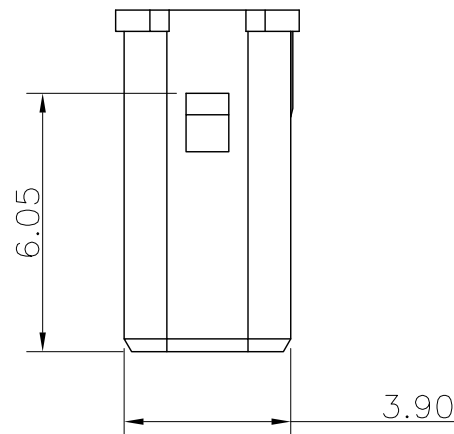
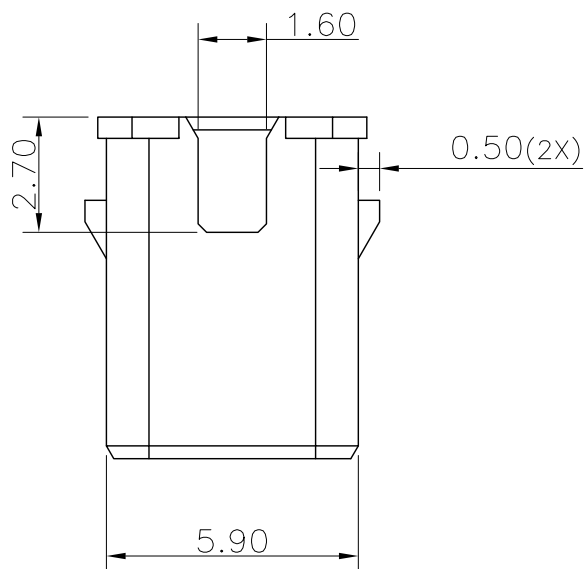
102=02P

103=03P

A:A Type

B:B Type

31:PA66 Green



TOLERANCE

X.X ±0.30  
X.XX ±0.20  
X.XXX ±0.10  
Angle ±2°

TITLE:  
MI 2.50 Sheath

DRAWN: Shen 2021.09.26

CHECKED:

APPROVED:

**KONNRA** 东莞市康瑞电子有限公司  
DongGuan Konnra Electronics Co.,Ltd.

PART NO.: H2517M10231A



New specification

Shen

2021.09.29

MARK

REVISION DESCRIPTION

SIGNATURE

DATE

UNIT:mm

SCALE:1/1

SHEET:1/2

PROJECTION

REV.:A1

DRAWING NO.:2517H01-A-Q

1

2

3

4

5

6

7

8

9