

RoHS
COMPLIANT

◆ SPECIFICATIONS

- Current rating: 3A AC, DC
- Voltage rating: 250V AC, DC
- Temperature range: -40° C ~ +105° C
- Insulation resistance: 500MΩ Min.
- Withstanding voltage: 500V AC/ minute.

Material: Plastic UL94 V-0

Circuits: 2~4

Suitable: KR2517 series

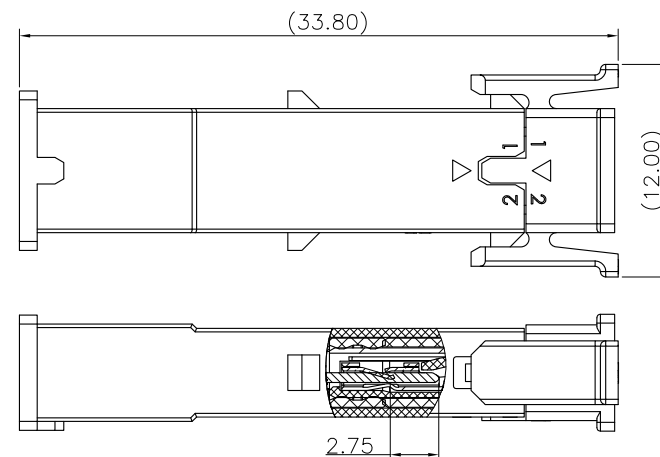
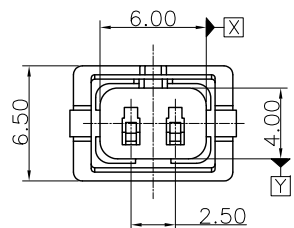
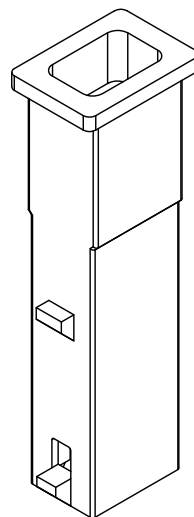
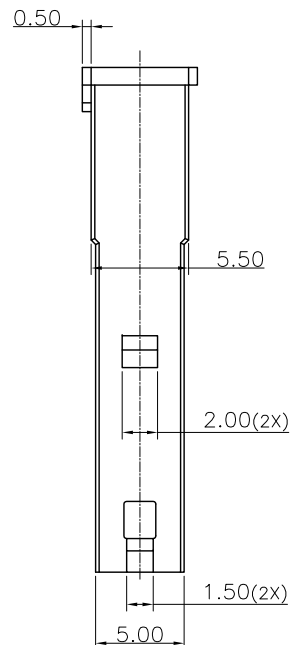
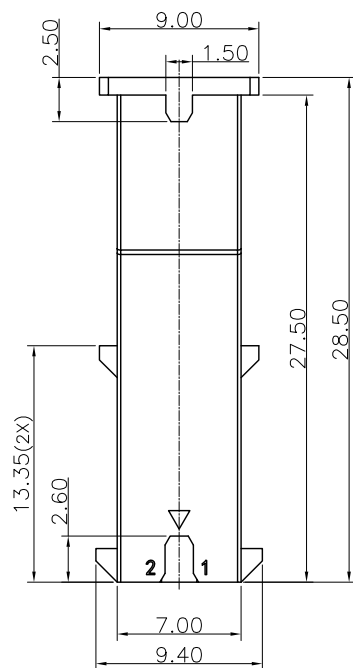
Ordering Code:

H2517F****01A

102=02P — 01:PA66 UL94 V-0 white

103=03P

...



MATED CONNECTORS

MARK	REVISION DESCRIPTION	SIGNATURE	DATE	TOLERANCE	TITLE:	DRAWN:	CHECKED:	APPROVED:	REV.:A2	DRAWING NO.:
A2	Add mated connectors	Shen	2022.09.24	X.X ±0.30	M12.50 Female Housing, Inner Buckle	Shen 2021.09.26				KONNRA 东莞市康瑞电子有限公司 DongGuan Konnra Electronics Co.,Ltd. PART NO.:H2517F1020101A REV.:A2 DRAWING NO.:2517H01-C-Q
A1	New Specification	Shen	2021.09.26	X.XX ±0.20						
				X.XXX ±0.10						
				Angle ±2°	UNIT:mm	SCALE:1/1	SHEET:1/1	PROJECTION		