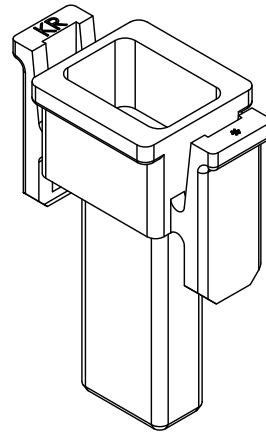
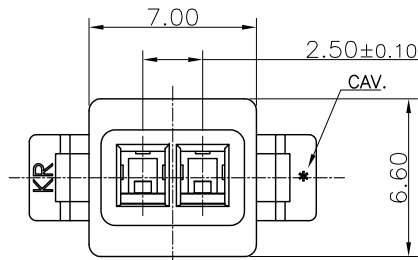


RoHS  
COMPLIANT



◆ SPECIFICATIONS

- Current rating: 3A AC, DC
- Voltage rating: 250V AC, DC
- Temperature range: -40° C ~ +105° C
- Insulation resistance: 500MΩ Min.
- Withstanding voltage: 500V AC/ minute.

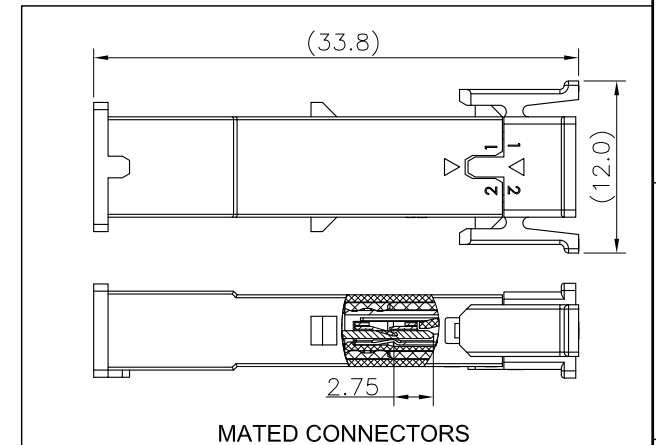
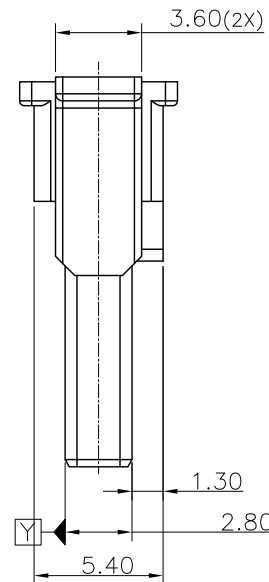
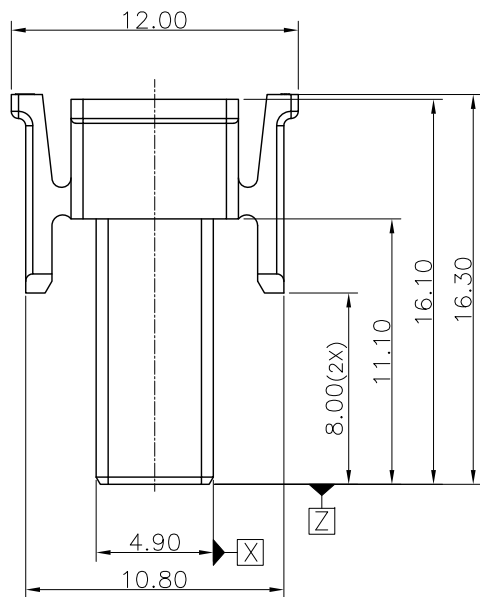
Material: Plastic UL94 V-0  
Circuits: 2~4  
Suitable: KR2517 series

Ordering Code:

H2517M\*\*\*\*\*01B

102=02P      01:PA66 UL94 V-0 white  
103=03P

...



MATED CONNECTORS

MARK	REVISION DESCRIPTION	SIGNATURE	DATE	TOLERANCE	TITLE:	DRAWN:	CHECKED:	APPROVED:	REV.:A2	DRAWING NO.:
△2	Add mated connectors	Shen	2022.09.24	X.X ±0.30	M12.50 Male housing, Inner buckle	Shen 2021.10.08				2517H01-B-Q
△1	New Specification	Shen	2021.10.08	X.XX ±0.20						
				X.XXX ±0.10						
				Angle ±2°	UNIT:mm	SCALE:1/1	SHEET:1/1	PROJECTION		

KONNRA 东莞市康瑞电子有限公司  
DongGuan Konnra Electronics Co.,Ltd.

PART NO.:H2517M\*\*\*\*\*01B

REV.:A2