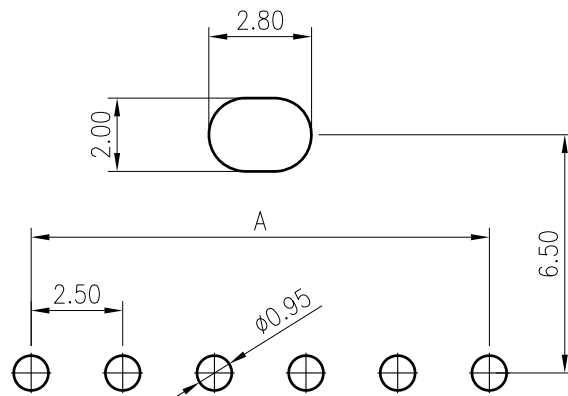
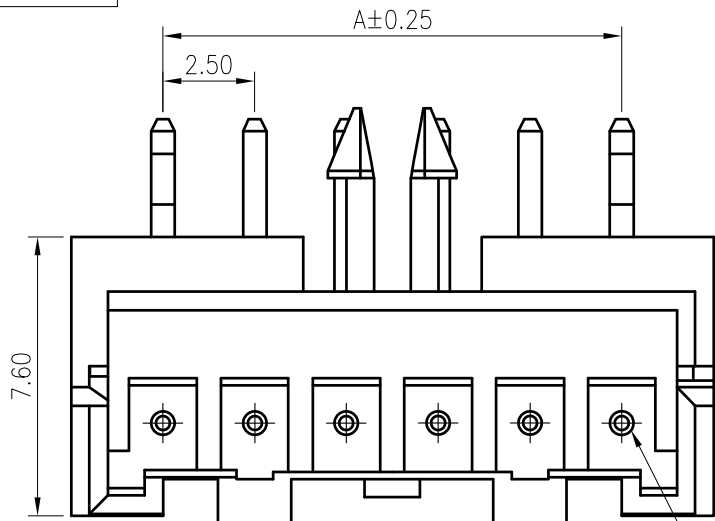


RoHS
COMPLIANT



Recommended P.C.B. Layout
Total tolerance:±0.05mm

SPECIFICATIONS

1. Current rating: 3A AC, DC
2. Voltage rating: 250V AC,DC
3. Temperature range: -40°C ~ +105°C
4. Insulation resistance: 1000MΩ/ min.
5. Withstanding voltage: 1000V AC/ minute.
6. Contact resistance: 10mΩ/ max.

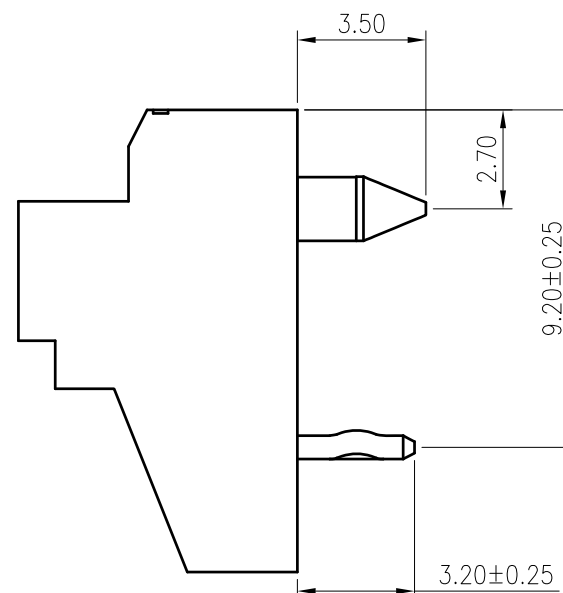
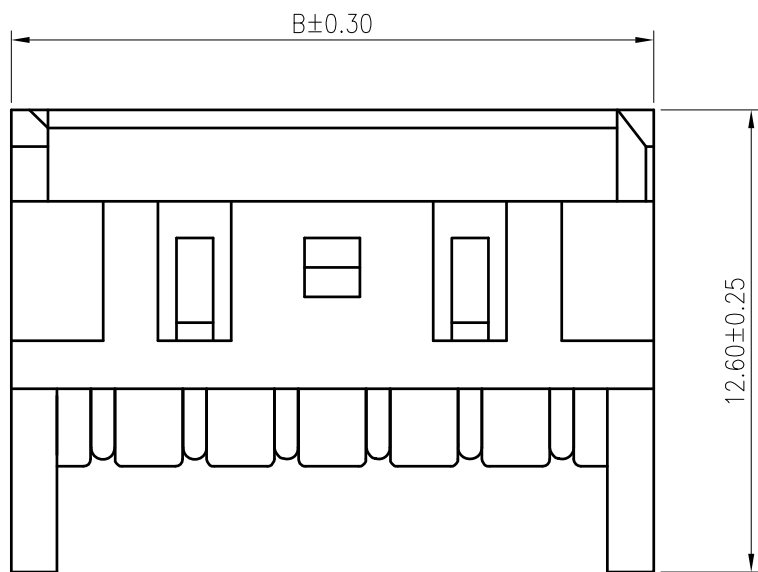
Material:

Insulator: PA66 UL 94V-0
Contact: Brass
Plating: Tin plated over Nickel
Mate with KR2516 Series Housing

Ordering Code:

C2516RD *** 19 T01 02PA
No.of Circuits 102:02,115:15 Plating T01: Tin plated
Insulator Material 19:PA66 Grey V0

Circuits	Dimension	
	A	B
2	2.50	7.50
3	5.00	10.00
4	7.50	12.50
5	10.00	15.00
6	12.50	17.50
7	15.00	20.00
8	17.50	22.50
9	20.00	25.00
10	22.50	27.50
11	25.00	30.00
12	27.50	32.50
13	30.00	35.00
14	32.50	37.50
15	35.00	40.00



Circuit 1

△4			
△3			
△2	Uniformly arrange the drawings	Arvin	2020.05.27

TOLERANCE
X.X ±0.30
X.XX ±0.20
X.XXX ±0.10
Angle ±2°

TITLE:
XA2.5 DIP 90° Wafer
Have Pillar

DRAWN: Arvin 2020.05.27
CHECKED:
APPROVED:

KONNRA 东莞市康瑞电子有限公司
DongGuan Konnra Electronics Co.,Ltd.

PART NO.: C2516RD***19T0102PA

MARK	REVISION DESCRIPTION	SIGNATURE	DATE	UNIT:mm	SCALE:N/A	SHEET:1/1	PROJECTION	REV.:A2	DRAWING NO.:2516WRD102-A-S
------	----------------------	-----------	------	---------	-----------	-----------	------------	---------	----------------------------