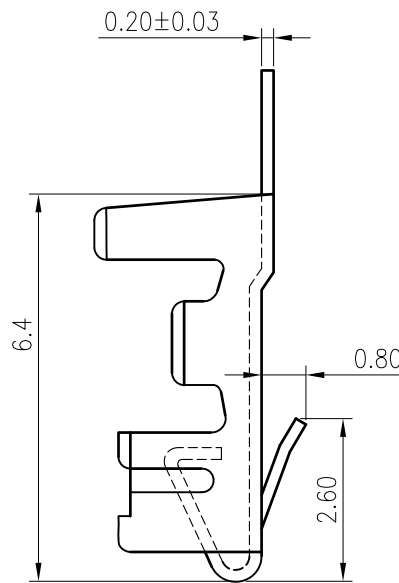
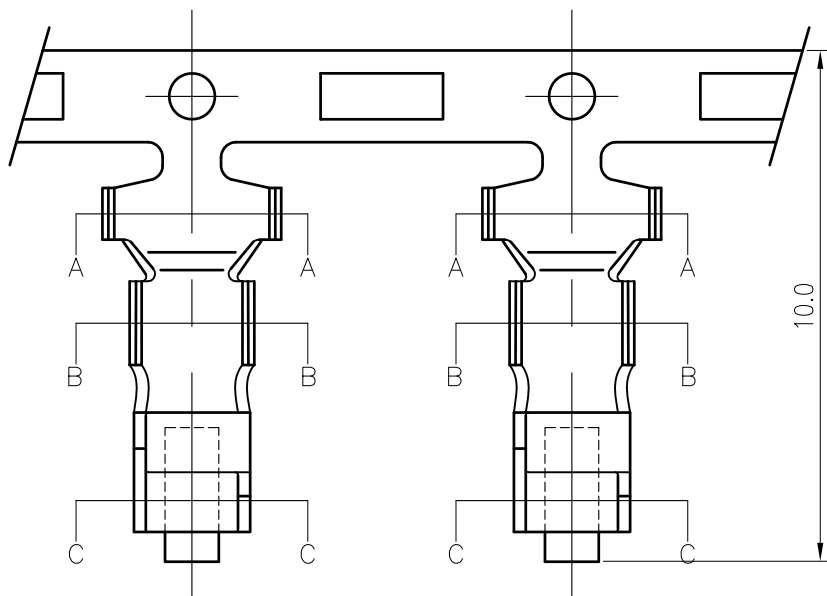


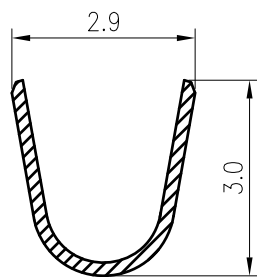
**RoHS**  
COMPLIANT



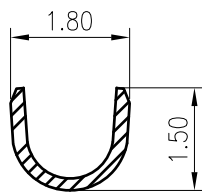
**SPECIFICATIONS**

1. Current rating: 3A AC, DC
2. Voltage rating: 250V AC, DC
3. Temperature range: -40°C ~ +105°C
4. Insulation resistance: 1000MΩ/ min.
5. Withstanding voltage: 1000V AC/ minute.
6. Contact resistance: 20mΩ/ max.

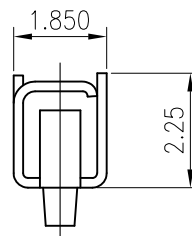
Material: Phosphor Bronze/Tin plated over nickel  
 Applicable wires: AWG #28~#22  
 Insulation O.D 1.2~1.6mm Max.  
 Suitable KR2501 or KR2502 series Housing  
 Qty/reel: 6,000PCS



SECTION A-A



SECTION B-B



SECTION C-C

F					TOLERANCE X.X ±0.30 X.XX ±0.20 X.XXX ±0.10 Angle ±2°	TITLE: XH2.5 Terminal	DRAWN: Shen 2022.01.13	KONNRA 东莞市康瑞电子有限公司 DongGuan Konnra Electronics CO.,LTD		
							CHECKED:			
		Uniformly arrange the drawings	Shen	2022.01.13			APPROVED:			
MARK	REVISION DESCRIPTION	SIGNATURE	DATE	UNIT:mm	SCALE:N/A	SHEET:1/1	PROJECTION	VER.:A2	DRAWING NO.:2501T01-C-S	