

**RoHS**  
COMPLIANT

**SPECIFICATIONS**

1. Current rating: 3A AC, DC
2. Voltage rating: 250V AC,DC
3. Temperature range: -40°C ~ +105°C
4. Insulation resistance: 1000MΩ Min.
5. Withstanding voltage: 800V AC/ minute.
6. Contact resistance: 20mΩ Max.

**Applicable Wires:**

AWG#22~#24

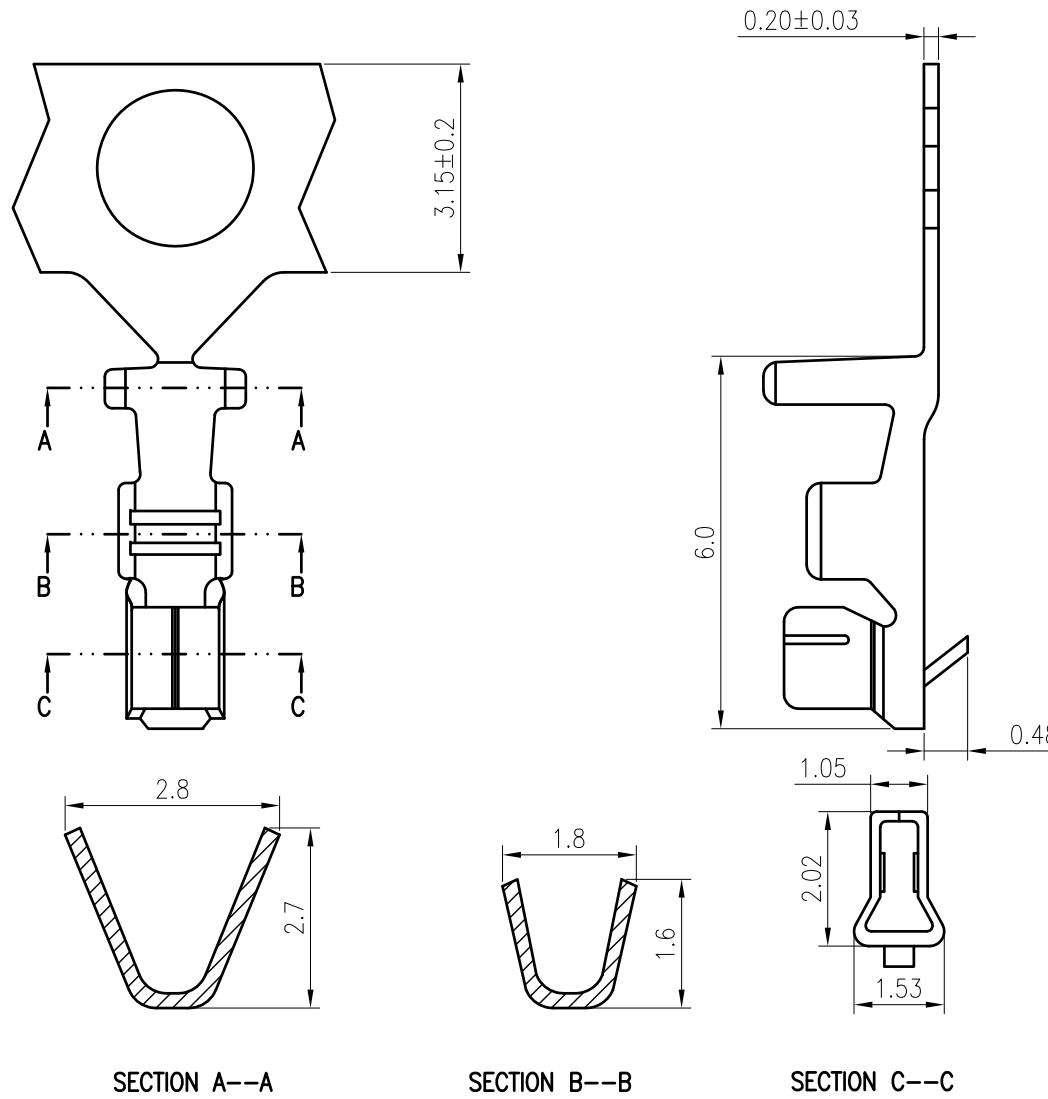
Insulation O.D. : 1.90mm MAX

Material: Phosphor Bronze

Finish: Tin plated over nickel

Suitable KR2504 series housing

Q'ty/reel: 10,000 PCS



F		Modify Size	ZSZ	2021.11.04	<b>TOLERANCE</b> X.X ±0.30 X.XX ±0.20 X.XXX ±0.10 Angle ±2°	<b>TITLE:</b> EH2.5 Terminal		DRAWN: ZSZ 2021.11.04		<b>KONNRA</b> 东莞市康瑞电子有限公司 DongGuan Konnra Electronics Co.,Ltd.					
		Change the part number and frame format	LJT	2020.05.05				CHECKED:							
		MARK		REVISION DESCRIPTION				SIGNATURE	DATE			APPROVED:		PART NO.: T25040PT0101B	
		1	2	3				4	5			6	7	8	9

UNIT: mm	SCALE: N/A	SHEET: 1/1	PROJECTION
REV.: A3		DRAWING NO.: 2504T101-B-S	