


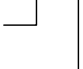
RoHS
COMPLIANT

SPECIFICATIONS

1. Current rating: 3A AC, DC
2. Voltage rating: 250V AC,DC
3. Temperature range: -40°C ~ +105°C
4. Insulation resistance: 1000MΩ Min.
5. Withstanding voltage: 800V AC/ minute.
6. Contact resistance: 20mΩ Max.

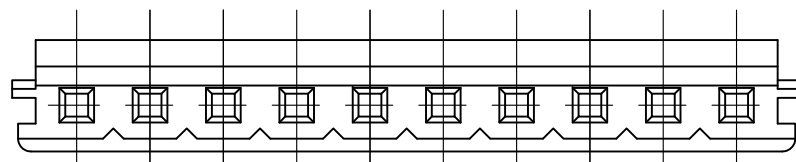
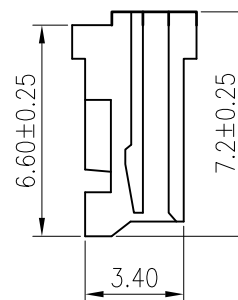
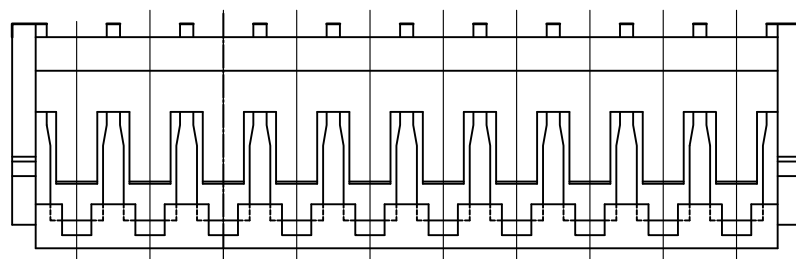
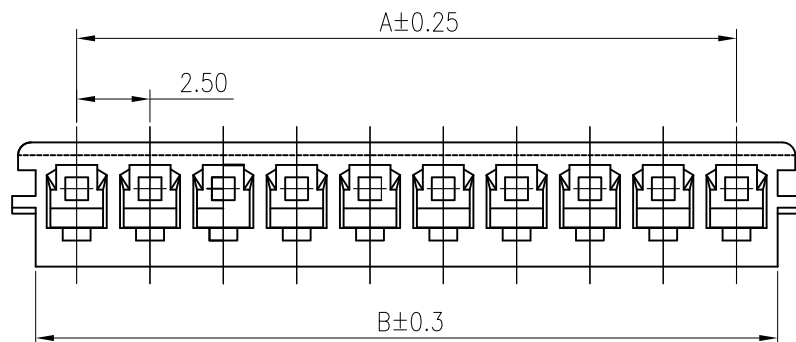
Material: Nylon66 UL94 V-0
 Suitable KR2504 series terminal
 Mate with KR2504 series wafer
 Ordering Code:

 H25040 *** 01 01A

No.of Circuits 
 102:2,116:16

Insulator Material
 01:PA66 White V0

Circuits	Dimension	
	A	B
2	2.50	5.40
3	5.00	7.90
4	7.50	10.40
5	10.00	12.90
6	12.50	15.40
7	15.00	17.90
8	17.50	20.40
9	20.00	22.90
10	22.50	25.40
11	25.00	27.90
12	27.50	30.40
13	30.00	32.90
14	32.50	35.40
15	35.00	37.90
16	37.50	40.40



Uniformly arrange the drawings

Shen 2022.01.13

TOLERANCE
 X.X ±0.30
 X.XX ±0.20
 X.XXX ±0.10
 Angle ±2°

TITLE:
 EH2.5 Housing

DRAWN: Shen 2022.01.13

CHECKED:

APPROVED:

KONNRA 东莞市康瑞电子有限公司
 DongGuan Konnra Electronics Co.,Ltd.

PART NO.: H25040***0101A

MARK

REVISION DESCRIPTION

SIGNATURE

DATE

UNIT:mm SCALE:N/A

SHEET:1/1

PROJECTION 

REV.:A3

DRAWING NO.:2504H101-A-S

1

2

3

4

5

6

7

8

9

RoHS
COMPLIANT

SPECIFICATIONS

1. Current rating: 3A AC, DC
2. Voltage rating: 250V AC,DC
3. Temperature range: -40°C ~ +105°C
4. Insulation resistance: 1000MΩ Min.
5. Withstanding voltage: 800V AC/ minute.
6. Contact resistance: 20mΩ Max.

Applicable Wires:

AWG#22~#24

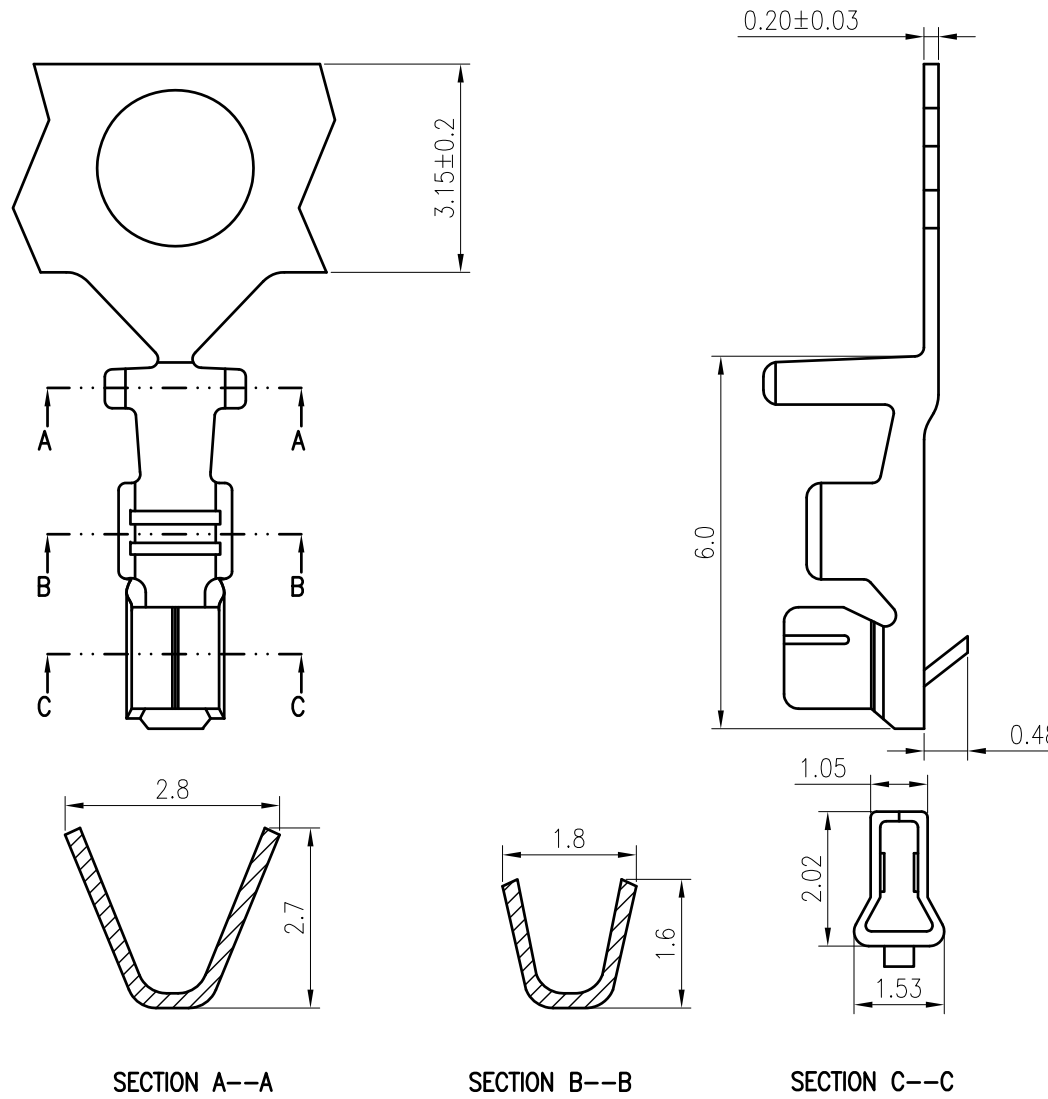
Insulation O.D. : 1.90mm MAX

Material: Phosphor Bronze

Finish: Tin plated over nickel

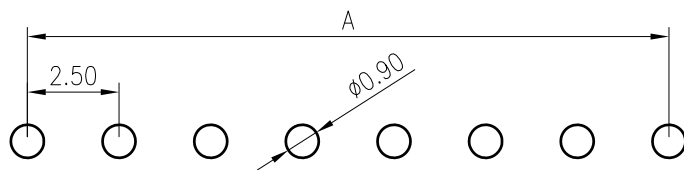
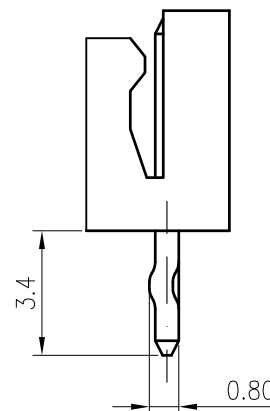
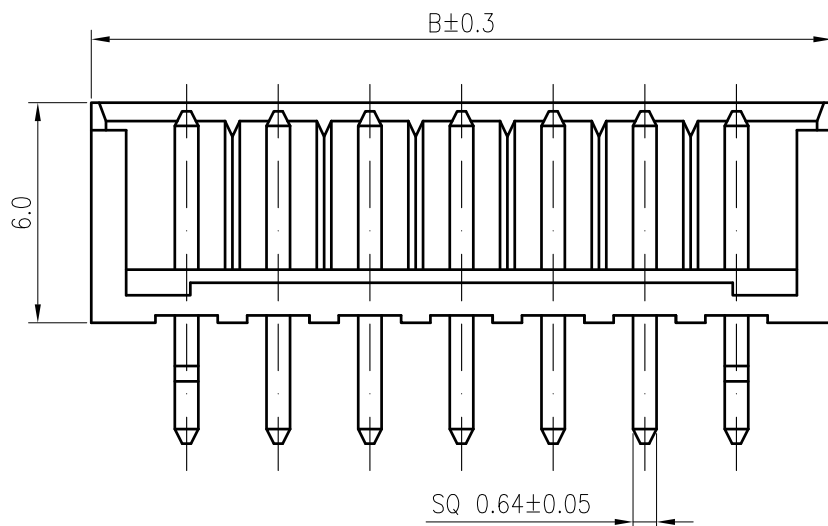
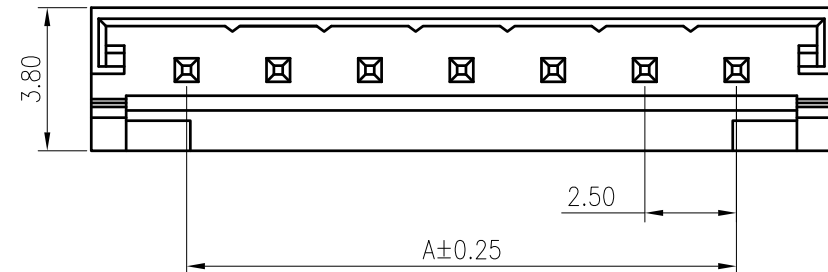
Suitable KR2504 series housing

Q'ty/reel: 10,000 PCS



MARK	REVISION DESCRIPTION	SIGNATURE	DATE	TOLERANCE	TITLE:	DRAWN:	KONNRA 东莞市康瑞电子有限公司 DongGuan Konnra Electronics Co.,Ltd.				
A3	Modify Size	ZSZ	2021.11.04	X.X ±0.30	EH2.5 Terminal	2021.11.04	PART NO.: T25040PT0101B				
A2	Change the part number and frame format	LJT	2020.05.05	X.XX ±0.20		CHECKED:					
				X.XXX ±0.10		APPROVED:					
				Angle ±2°	UNIT:mm	SCALE:N/A	SHEET:1/1	PROJECTION	REV.:A3	DRAWING NO.:2504T101-B-S	

RoHS
COMPLIANT



Recommend P.C.B. LAYOUT

SPECIFICATIONS

1. Current rating: 3A AC, DC
2. Voltage rating: 250V AC,DC
3. Temperature range: -40°C ~ +105°C
4. Insulation resistance: 1000MΩ Min.
5. Withstanding voltage: 800V AC/ minute.
6. Contact resistance: 20mΩ Max.

Material:

Insulator: Nylon 66 UL 94V-0
 Contact: Brass
 Plating: Tin plated over Nickel
 Mate with KR2504 series Housing
 Ordering Code:

C2504VD *** 01 T01 01 PA

No.of Circuits
 102:2,116:16

Circuits	Dimension	
	A	B
2	2.50	7.50
3	5.00	10.00
4	7.50	12.50
5	10.00	15.10
6	12.50	17.50
7	15.00	20.00
8	17.50	20.50
9	20.00	25.00
10	22.50	27.50
11	25.00	30.00
12	27.50	32.50
13	30.00	35.00
14	32.50	37.90
15	35.00	40.00
16	37.50	42.50

TOLERANCE			
X.X	±0.30		
X.XX	±0.20		
X.XXX	±0.10		
Angle	±2°		

TITLE: EH2.5 DIP 180° Wafer

DRAWN: Shen 2022.01.13

CHECKED:

APPROVED:

KONNRA 东莞市康瑞电子有限公司
 DongGuan Konnra Electronics Co.,Ltd.

PART NO.: C2504VD***01T0101PA



Uniformly arrange the drawings

Shen 2022.01.13

MARK

REVISION DESCRIPTION

SIGNATURE

DATE

UNIT:mm SCALE:N/A

SHEET:1/1

PROJECTION

REV.:A3

DRAWING NO.:2504WVD101-A-S

1

2

3

4

5

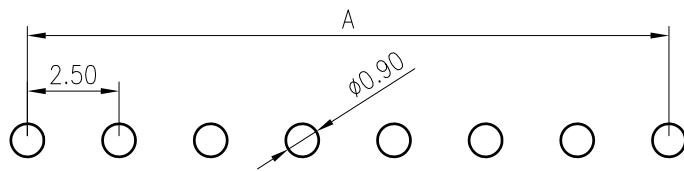
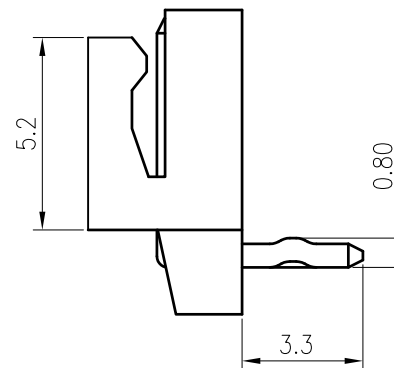
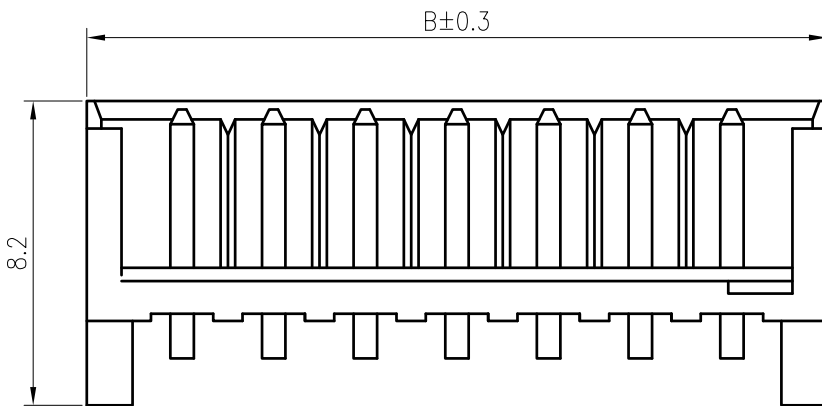
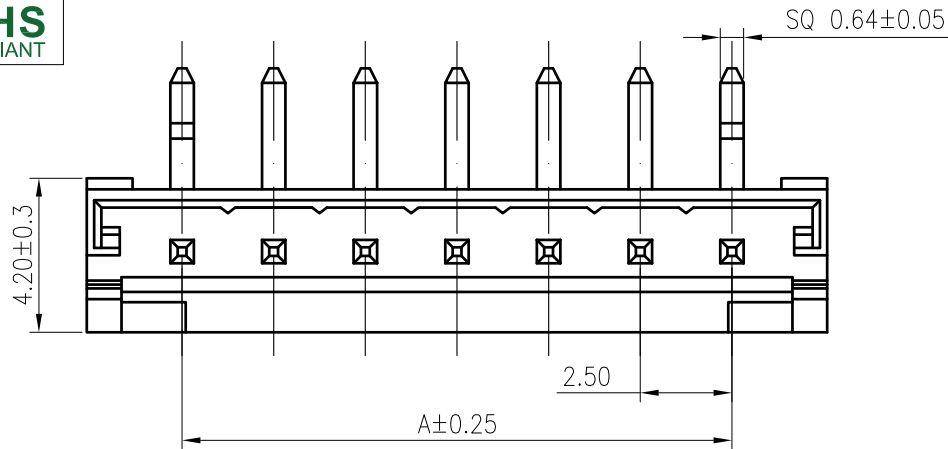
6

7

8

9

RoHS
COMPLIANT



Recommend P.C.B. LAYOUT

SPECIFICATIONS

1. Current rating: 3A AC, DC
2. Voltage rating: 250V AC,DC
3. Temperature range: -40°C ~ +105°C
4. Insulation resistance: 1000MΩ Min.
5. Withstanding voltage: 800V AC/ minute.
6. Contact resistance: 20mΩ Max.

Material:

Insulator: Nylon 66 UL 94V-0
Contact: Brass
Plating: Tin plated over Nickel
Mate with KR2504 series Housing
Ordering Code:

C2504RD *** 01 T01 01 PA

No. of Circuits
102:2,116:16

Circuits	Dimension	
	A	B
2	2.50	7.50
3	5.00	10.00
4	7.50	12.50
5	10.00	15.10
6	12.50	17.50
7	15.00	20.00
8	17.50	20.50
9	20.00	25.00
10	22.50	27.50
11	25.00	30.00
12	27.50	32.50
13	30.00	35.00
14	32.50	37.90
15	35.00	40.00
16	37.50	42.50

TOLERANCE
X.X ±0.30
X.XX ±0.20
X.XXX ±0.10
Angle ±2°

TITLE:
EH2.5 DIP 90°
Wafer

DRAWN: Shen 2022.01.13

CHECKED:

APPROVED:

KONNRA 东莞市康瑞电子有限公司
DongGuan Konnra Electronics Co.,Ltd.

PART NO.: C2504RD***01T0101PA



Uniformly arrange the drawings

Shen

2022.01.13

MARK

REVISION DESCRIPTION

SIGNATURE

DATE

UNIT:mm

SCALE:N/A

SHEET:1/1

PROJECTION

REV.:A3

DRAWING NO.:2504WRD101-A-S