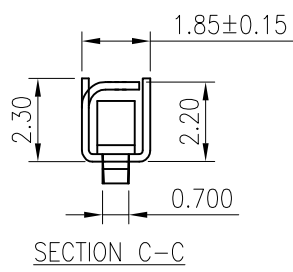
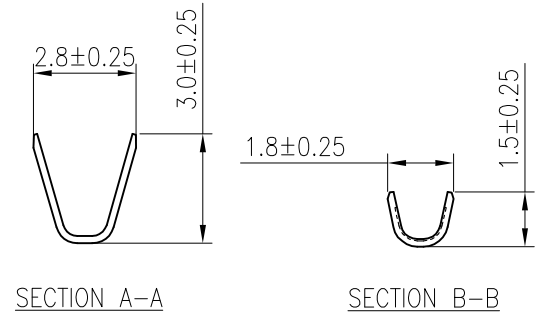
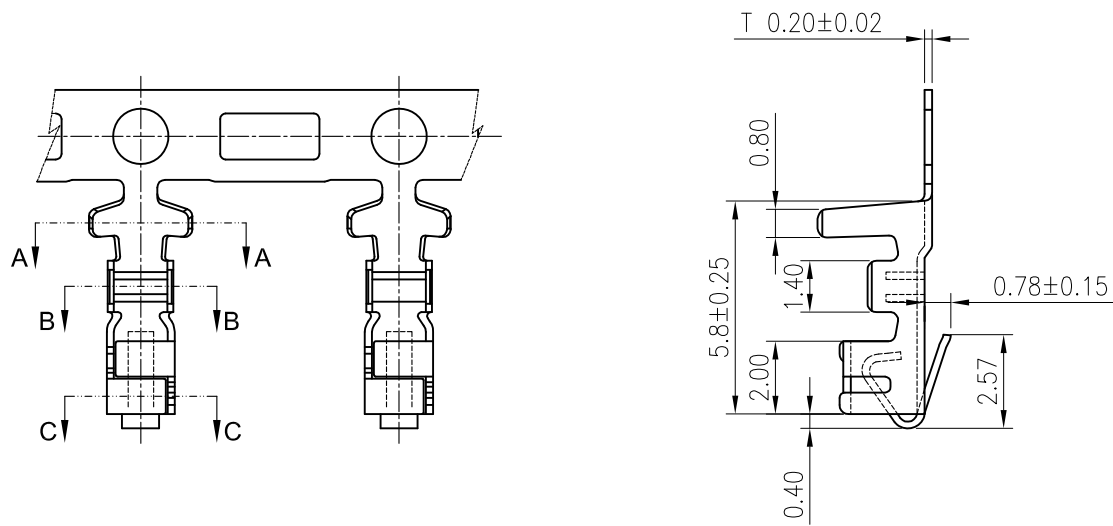


**RoHS**  
COMPLIANT



**SPECIFICATIONS**

1. Current rating: 3A AC, DC
2. Voltage rating: 250V AC, DC
3. Temperature range: -40°C ~ +105°C
4. Insulation resistance: 1000MΩ/ min.
5. Withstanding voltage: 1000V AC/ minute.
6. Contact resistance: 20mΩ/ max.

Material: Phosphor Bronze/Tin plated over nickel  
 Applicable wires: AWG #28~#22  
 Insulation O.D 1.2~1.8mm Max.  
 Suitable KR2501 series housing  
 Q'ty/reel: 9,000PCS

F	△4			TOLERANCE	TITLE: XH2.5 Terminal	DRAWN: <i>Arvin 2021.01.26</i>		KONNRA 东莞市康瑞电子有限公司		
	△3	Uniformly arrange the drawings	ZSZ	X.X ±0.30		CHECKED:	DongGuan Konnra Electronics CO.,LTD			
	△2	Change the part number and frame format	Arvin	X.XX ±0.20		APPROVED:	PART NO.: T25010PT0101F			
	MARK	REVISION DESCRIPTION	SIGNATURE	DATE		X.XXX ±0.10	UNIT:mm	SCALE:N/A	SHEET:1/1	PROJECTION
	1	2	3	4	5	6	7	8	9	