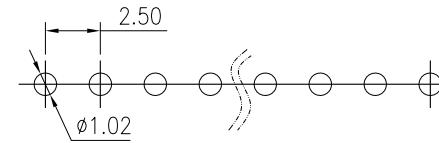
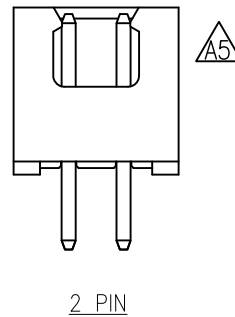
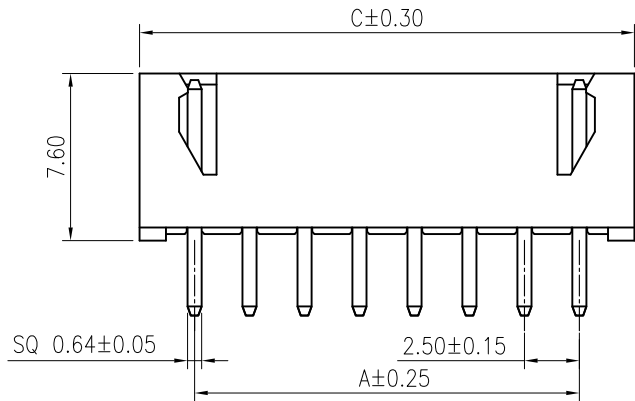
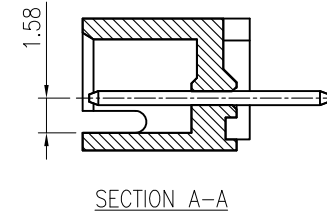
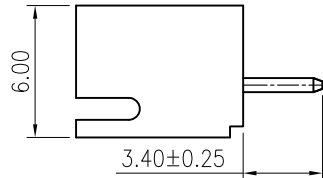
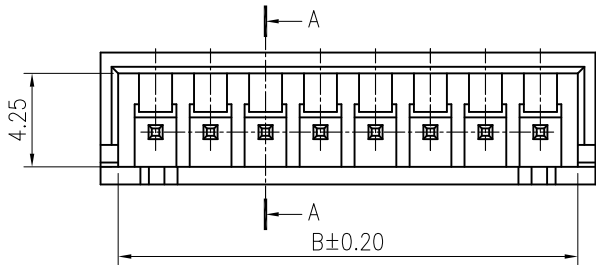


RoHS
COMPLIANT

- ◆ SPECIFICATIONS
- Current rating: 3A AC, DC
 - Voltage rating: 250V AC, DC
 - Temperature range: -40°C ~ +105°C
 - Insulation resistance: 1000MΩ Min.
 - Withstanding voltage: 1000V AC/ minute.
 - Contact resistance: 20mΩ Max.

Material:
 Insulator: PA9T UL 94V-0
 Contact: Brass
 Plating: Tin plated over Nickel
 Circuits: 2~16
 Mates: KR2501 series Housing

Ordering code:
 C2501VD *** 11 T0102PA
 102: 2P
 116: 16P
 11: PA9T Natural



Recommended P.C.B. Layout
 Total tolerance: ±0.05mm

PIN NO.	DIMENSIONS		
	A	B	C
2P	2.50	5.90	7.50
3P	5.00	8.40	10.00
4P	7.50	10.90	12.50
5P	10.00	13.40	15.00
6P	12.50	15.90	17.50
7P	15.00	18.40	20.00
8P	17.50	20.90	22.50
9P	20.00	23.40	25.00
10P	22.50	25.90	27.50
11P	25.00	28.40	30.00
12P	27.50	30.90	32.50
13P	30.00	33.40	35.00
14P	32.50	35.90	37.50
15P	35.00	38.40	40.00
16P	37.50	40.90	42.50

F	△5	Correct 2P view	Arvin	2022.09.27	TOLERANCE X.X ±0.30 X.XX ±0.20 X.XXX ±0.10 Angle ±2°	TITLE: XH2.5 DIP 180° Wafer No K	DRAWN: <i>Arvin 2021.09.22</i>	KONNRA 东莞市康瑞电子有限公司 DongGuan Konnra Electronics Co.,Ltd.	
	△4	Change material description	ZSZ	2022.02.18					
	△3	Uniformly arrange the drawings	ZSZ	2021.09.22					
	LTR	REVISION DESCRIPTION	SIGNATURE	DATE					UNIT:mm