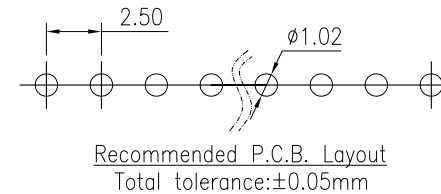
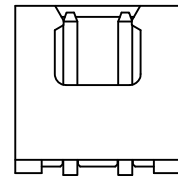
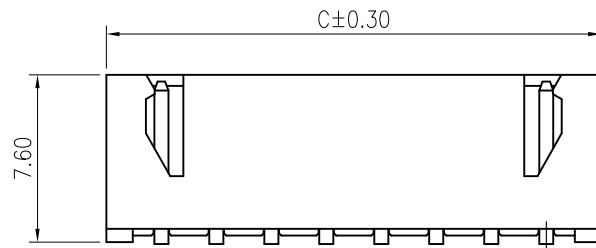
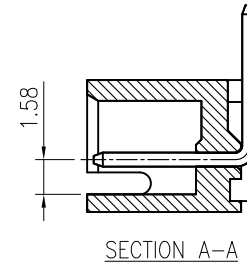
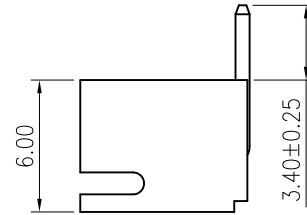
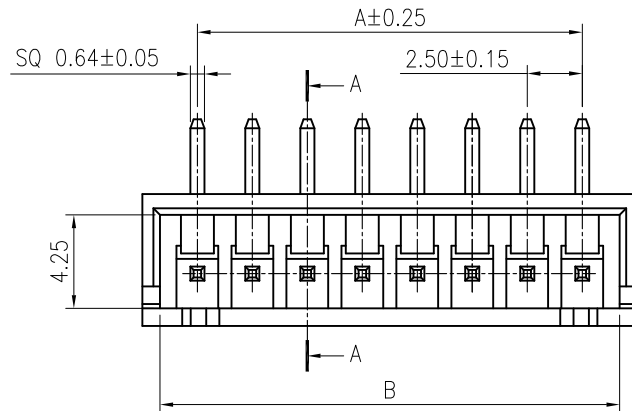


RoHS  
COMPLIANT

- ◆SPECIFICATIONS
- Current rating: 3A AC, DC
  - Voltage rating: 250V AC,DC
  - Temperature range: -40°C ~ +105°C
  - Insulation resistance: 1000MΩ Min.
  - Withstanding voltage: 1000V AC/ minute.
  - Contact resistance: 20m Ω Max.

Material:  
 Insulator: PA9T UL 94V-0  
 Contact: Brass  
 Plating: Tin plated over Nickel  
 Circuits: 2~16  
 Mates: KR2501 series Housing

Ordering code:  
 C2501RD \*\*\* 11 T0102PA  
 102: 2P  
 116: 16P  
 11: PA9T Natural



PIN NO.	DIMENSIONS		
	A	B	C
2P	2.50	5.90	7.50
3P	5.00	8.40	10.00
4P	7.50	10.90	12.50
5P	10.00	13.40	15.00
6P	12.50	15.90	17.50
7P	15.00	18.40	20.00
8P	17.50	20.90	22.50
9P	20.00	23.40	25.00
10P	22.50	25.90	27.50
11P	25.00	28.40	30.00
12P	27.50	30.90	32.50
13P	30.00	33.40	35.00
14P	32.50	35.90	37.50
15P	35.00	38.40	40.00
16P	37.50	40.90	42.50

F	Correct 2P view	Arvin	2022.09.28	TOLERANCE X.X ±0.30 X.XX ±0.20 X.XXX ±0.10 Angle ±2°	TITLE: XH2.5 DIP 90° WF No K	DRAWN: <i>Arvin 2021.09.22</i>	KONNRA 东莞市康瑞电子有限公司 DongGuan Konnra Electronics Co.,Ltd.		
	Change material description	ZSZ	2022.02.18						
	Uniformly arrange the drawings	ZSZ	2021.09.22						
	LTR	REVISION DESCRIPTION	SIGNATURE					DATE	UNIT:mm