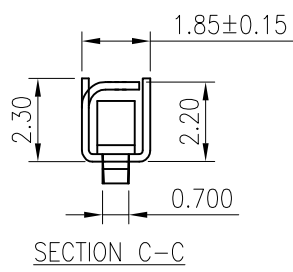
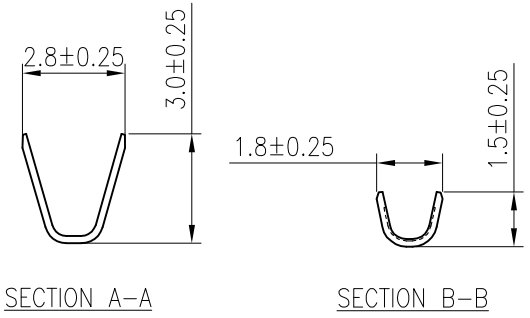
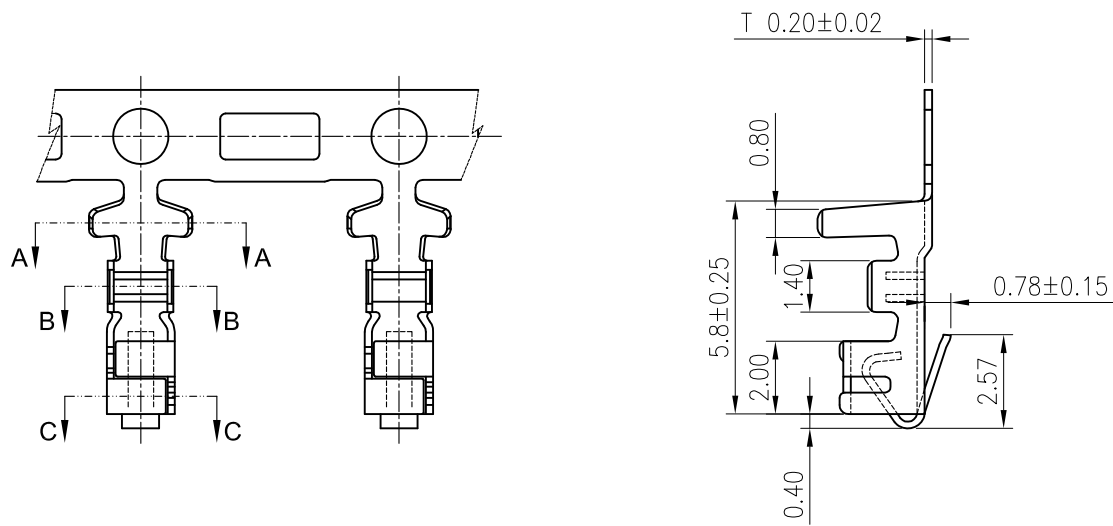


RoHS
COMPLIANT



SPECIFICATIONS

1. Current rating: 3A AC, DC
2. Voltage rating: 250V AC, DC
3. Temperature range: -40°C ~ +105°C
4. Insulation resistance: 1000MΩ/ min.
5. Withstanding voltage: 1000V AC/ minute.
6. Contact resistance: 20mΩ/ max.

Material: Phosphor Bronze/Tin plated over nickel
 Applicable wires: AWG #28~#22
 Insulation O.D 1.2~1.8mm Max.
 Suitable KR2501 series housing
 Q'ty/reel: 9,000PCS

F					TOLERANCE	TITLE:	DRAWN:	KONNRA 东莞市康瑞电子有限公司 DongGuan Konnra Electronics CO.,LTD PART NO.: T25010PT0101F			
					X.X ±0.30	XH2.5 Terminal	CHECKED:				
		Uniformly arrange the drawings	Shen	2022.01.13	X.XX ±0.20		APPROVED:				
MARK	REVISION DESCRIPTION	SIGNATURE	DATE	X.XXX ±0.10	Angle ±2°	UNIT:mm	SCALE:N/A	SHEET: 1/1	PROJECTION	VER.: A2	DRAWING NO.: 2501T01-F-S