

**RoHS**  
COMPLIANT

**SPECIFICATIONS**

1. Current rating: 3A AC, DC
2. Voltage rating: 250V AC,DC
3. Temperature range: -40°C ~ +105°C
4. Insulation resistance: 1000MΩ Min.
5. Withstanding voltage: 1000V AC/ minute.
6. Contact resistance: 20mΩ Max.

**Applicable Wires:**

AWG#22~#28

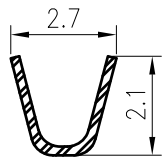
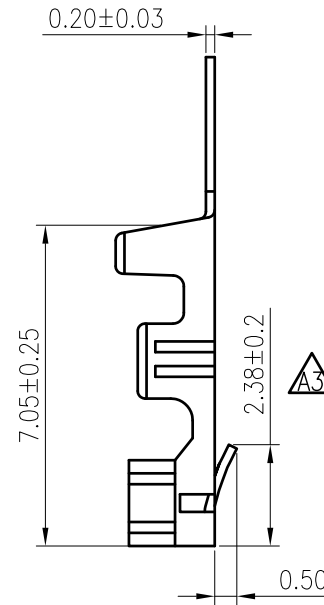
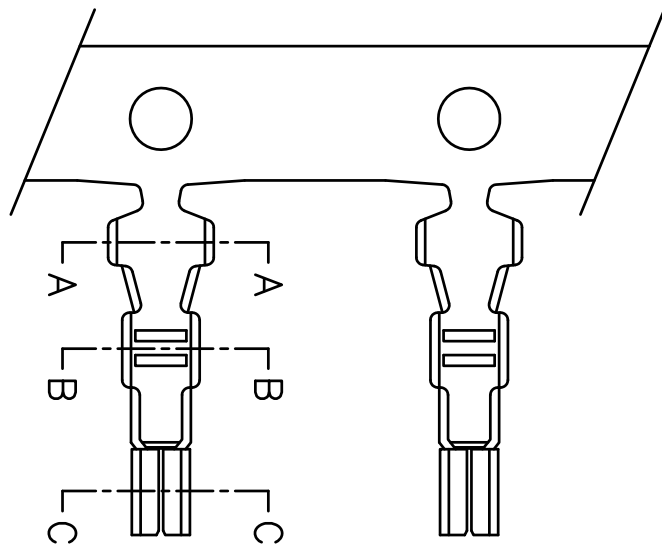
Insulation O.D. : 1.60mm MAX

Material: Phosphor Bronze

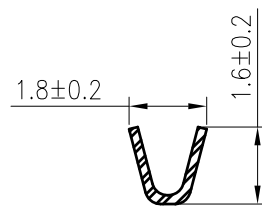
Plating: Tin plated over nickel

Suitable KR2500 series housing

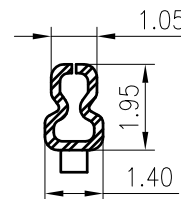
Q'ty/reel: 10,000 PCS



A-A



B-B



C-C

				TOLERANCE	TITLE: MX2.5 Terminal		DRAWN: Shen 2022.01.08		KONNRA 东莞市康瑞电子有限公司 DongGuan Konnra Electronics Co.,Ltd.	
				X.X ±0.30			CHECKED:			
				X.XX ±0.20			APPROVED:		PART NO.: T25000PT0101B	
				X.XXX ±0.10			SHEET: 1/1		REV.: A4	
				Angle ±2°	UNIT:mm SCALE:N/A		PROJECTION		DRAWING NO.: 2500T101-B-S	
MARK	REVISION DESCRIPTION	SIGNATURE	DATE							



Uniformly arrange the drawings

Shen 2022.01.08