

RoHS
COMPLIANT

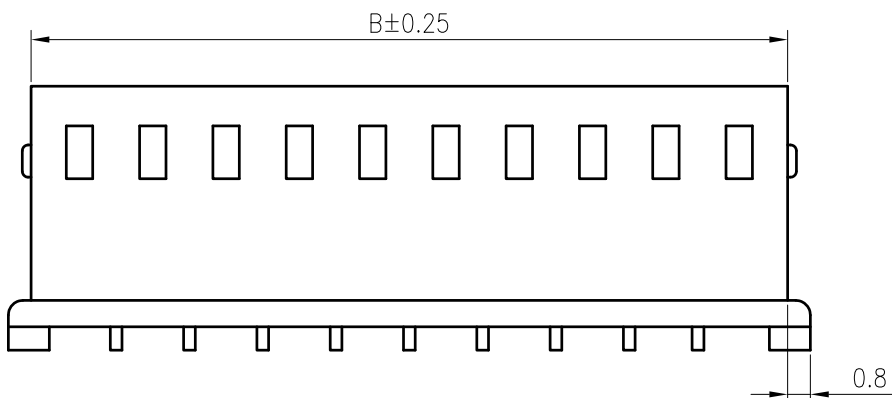
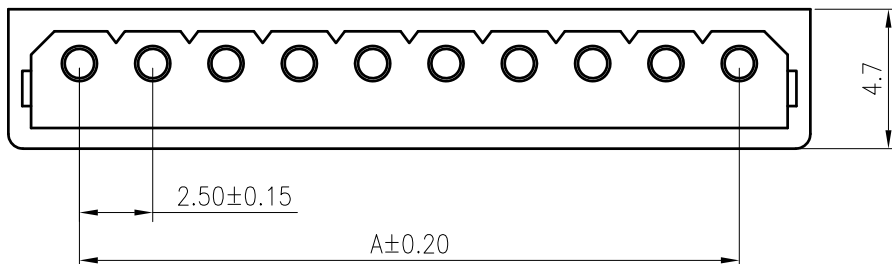
SPECIFICATIONS

1. Current rating: 3A AC, DC
2. Voltage rating: 250V AC,DC
3. Temperature range: -40°C ~ +105°C
4. Insulation resistance: 1000MΩ Min.
5. Withstanding voltage: 1000V AC/ minute.
6. Contact resistance: 20mΩ Max.

Material: Nylon 66 UL 94V-0
 Suitable KR1258 series terminal
 Mate with KR1258 series wafer
 Ordering Code:

H25000 *** 22 01B

No.of Circuits 102:2,116:16
 Insulator Material 22:PA66 Beige V0



Circuits	Dimensions	
	A	B
2	2.50	5.80
3	5.00	8.30
4	7.50	10.80
5	10.00	13.30
6	12.50	15.80
7	15.00	18.30
8	17.50	20.80
9	20.00	23.30
10	22.50	25.80
11	25.00	28.30
12	27.50	30.80
13	30.00	33.30
14	32.50	35.80
15	35.00	38.30
16	37.50	40.80

				TOLERANCE	TITLE: MX2.5 Housing		DRAWN: Shen 2022.01.08		KONNRA 东莞市康瑞电子有限公司 DongGuan Konnra Electronics Co.,Ltd.	
				X.X ±0.30			CHECKED:			
				X.XX ±0.20			APPROVED:		PART NO.: H25000***2201B	
				X.XXX ±0.10			SHEET: 1/1		REV.: A3	
				Angle ±2°	UNIT: mm SCALE: N/A		PROJECTION		DRAWING NO.: 2500H101-B-S	
MARK	REVISION DESCRIPTION	SIGNATURE	DATE							



Uniformly arrange the drawings
 Shen 2022.01.08

RoHS
COMPLIANT

SPECIFICATIONS

1. Current rating: 3A AC, DC
2. Voltage rating: 250V AC,DC
3. Temperature range: -40°C ~ +105°C
4. Insulation resistance: 1000MΩ Min.
5. Withstanding voltage: 1000V AC/ minute.
6. Contact resistance: 20mΩ Max.

Applicable Wires:

AWG#22~#28

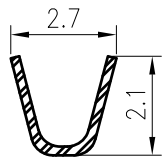
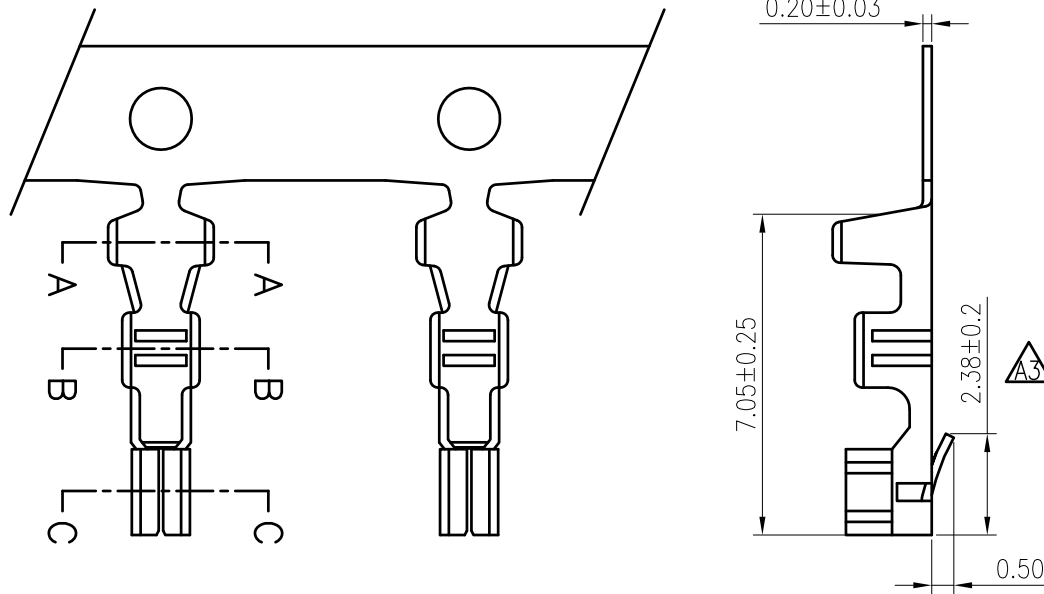
Insulation O.D. : 1.60mm MAX

Material: Phosphor Bronze

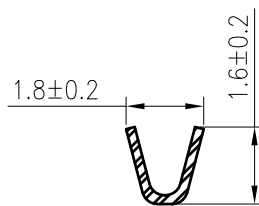
Plating: Tin plated over nickel

Suitable KR2500 series housing

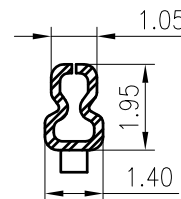
Q'ty/reel: 10,000 PCS



A-A



B-B



C-C

TOLERANCE
X.X ±0.30
X.XX ±0.20
X.XXX ±0.10
Angle ±2°

TITLE:
MX2.5 Terminal

DRAWN: Shen 2022.01.08

CHECKED:

APPROVED:

KONNRA 东莞市康瑞电子有限公司
DongGuan Konnra Electronics Co.,Ltd.

PART NO.: T25000PT0101B



Uniformly arrange the drawings

Shen

2022.01.08

MARK

REVISION DESCRIPTION

SIGNATURE

DATE

UNIT:mm

SCALE:N/A

SHEET:1/1

PROJECTION

REV.:A4

DRAWING NO.:2500T101-B-S

1

2

3

4

5

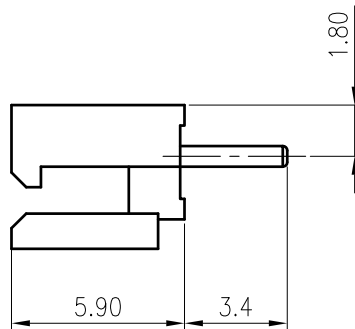
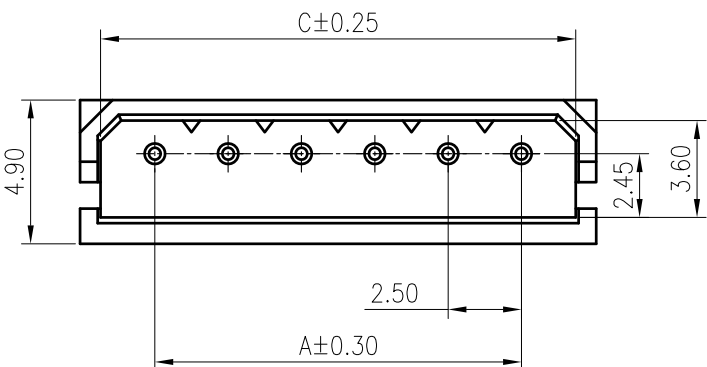
6

7

8

9

RoHS
COMPLIANT



SPECIFICATIONS

1. Current rating: 3A AC, DC
2. Voltage rating: 250V AC,DC
3. Temperature range: -40°C ~ +105°C
4. Insulation resistance: 1000MΩ Min.
5. Withstanding voltage: 1000V AC/ minute.
6. Contact resistance: 20mΩ Max.

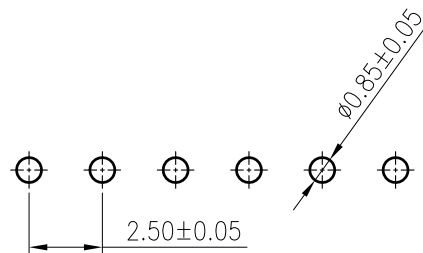
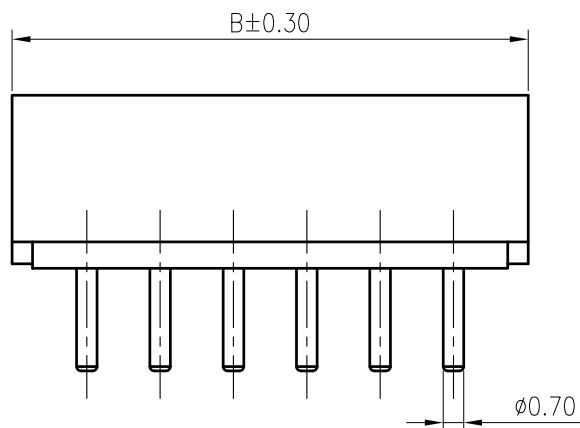
Material:

Insulator: PA66 UL94 V-0
 Contact: Brass
 Plating: Tin plated over Nickel
 Mate with KR2500 series Housing
 Ordering Code:

C2500VD *** 22 T01 01 PB

No.of Circuits

102:2,116:16



P.C.Board Layout

Circuits	Dimension		
	A	B	C
2	2.50	7.50	6.30
3	5.00	10.00	8.80
4	7.50	12.50	11.30
5	10.00	15.00	13.80
6	12.50	17.50	16.30
7	15.00	20.00	18.80
8	17.50	22.50	21.30
9	20.00	25.00	23.80
10	22.50	27.50	26.30
11	25.00	30.00	28.80
12	27.50	32.50	31.30
13	30.00	35.00	33.80
14	32.50	37.50	36.30
15	35.00	40.00	38.80
16	37.50	42.50	41.30

TOLERANCE
 X.X ±0.30
 X.XX ±0.20
 X.XXX ±0.10
 Angle ±2°

TITLE:
 MX2.5 DIP 180°
 Wafer

DRAWN: Shen 2022.01.08

CHECKED:

APPROVED:

KONNRA 东莞市康瑞电子有限公司
 DongGuan Konnra Electronics Co.,Ltd.

PART NO.: C2500VD***22T0101PB



Uniformly arrange the drawings

Shen 2022.01.08

MARK

REVISION DESCRIPTION

SIGNATURE

DATE

UNIT:mm SCALE:N/A

SHEET:1/1

PROJECTION

REV.:A3

DRAWING NO.:2500WVD101-B-S

1

2

3

4

5

6

7

8

9

RoHS
COMPLIANT

SPECIFICATIONS

1. Current rating: 3A AC, DC
2. Voltage rating: 250V AC,DC
3. Temperature range: -40°C ~ +105°C
4. Insulation resistance: 1000MΩ Min.
5. Withstanding voltage: 1000V AC/ minute.
6. Contact resistance: 20mΩ Max.

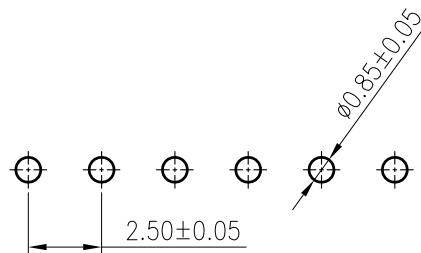
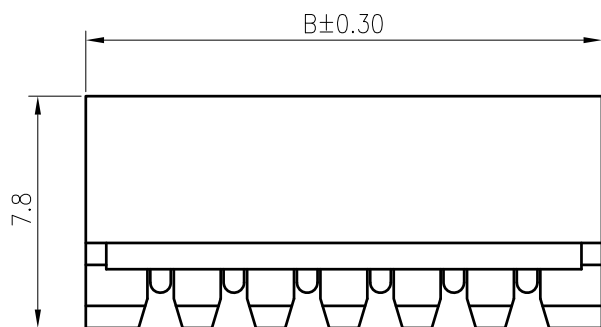
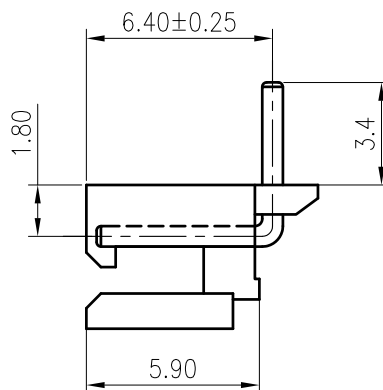
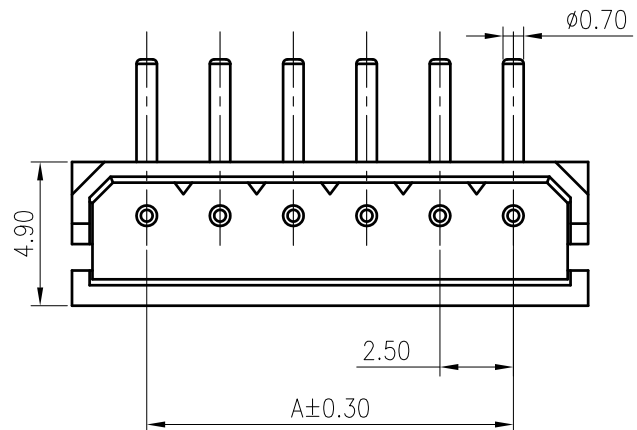
Material:

Insulator: PA66 UL94 V-0
 Contact: Brass
 Plating: Tin plated over Nickel
 Mate with KR2500 series Housing
 Ordering Code:

C2500RD *** 22 T01 01 PB

No.of Circuits

102:2,116:16



P.C.Board Layout

Circuits	Dimensions	
	A	B
2	2.50	7.80
3	5.00	10.00
4	7.50	12.50
5	10.00	15.00
6	12.50	17.50
7	15.00	20.00
8	17.50	22.50
9	20.00	25.00
10	22.50	27.50
11	25.00	30.00
12	27.50	32.50
13	30.00	35.00
14	32.50	37.50
15	35.00	40.00
16	37.50	42.50

TOLERANCE
 X.X ±0.30
 X.XX ±0.20
 X.XXX ±0.10
 Angle ±2°

TITLE:
 MX2.5 DIP 90°
 Wafer

DRAWN: Shen 2022.01.08

CHECKED:

APPROVED:

KONNRA 东莞市康瑞电子有限公司
 DongGuan Konnra Electronics Co.,Ltd.

PART NO.: C2500RD***22T0101PB



Uniformly arrange the drawings

Shen 2022.01.08

MARK

REVISION DESCRIPTION

SIGNATURE

DATE

UNIT:mm

SCALE:N/A

SHEET:1/1

PROJECTION

REV.:A3

DRAWING NO.:2500WRD101-B-S

1

2

3

4

5

6

7

8

9