

RoHS
COMPLIANT

SPECIFICATIONS

1. Current rating: 3A AC, DC
2. Voltage rating: 250V AC,DC
3. Temperature range: -40°C ~ +105°C
4. Insulation resistance: 1000MΩ Min.
5. Withstanding voltage: 1000V AC/ minute.
6. Contact resistance: 20mΩ Max.

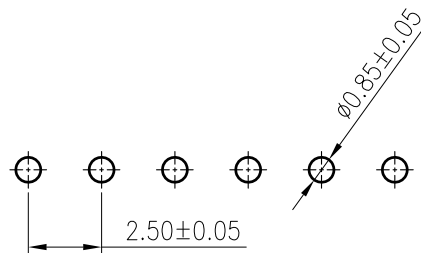
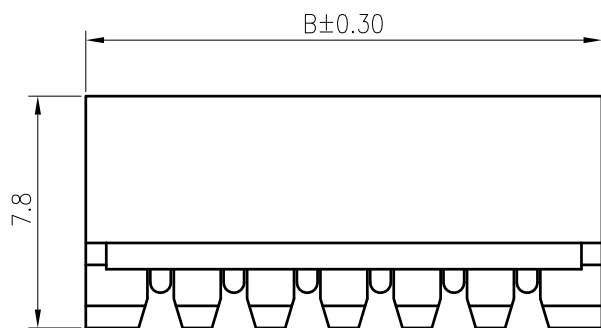
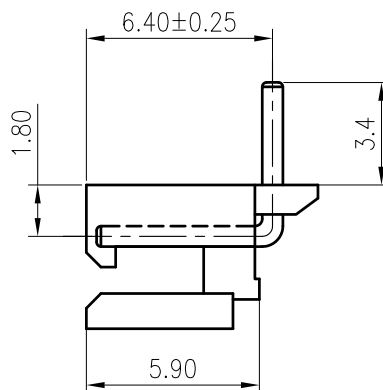
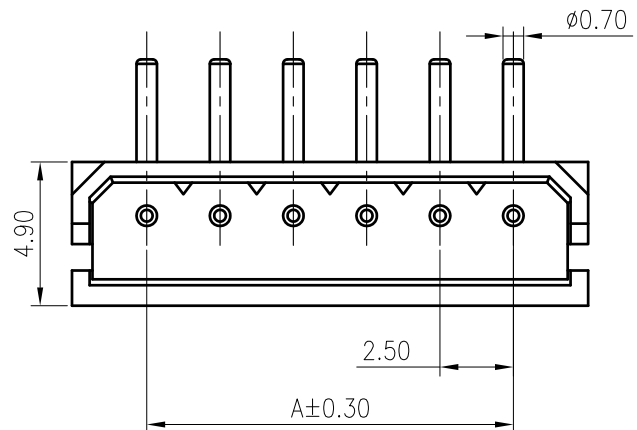
Material:

Insulator: PA66 UL94 V-0
 Contact: Brass
 Plating: Tin plated over Nickel
 Mate with KR2500 series Housing
 Ordering Code:

C2500RD *** 22 T01 01 PB

No. of Circuits

102:2,116:16



P.C.Board Layout

| Circuits | Dimensions | |
|----------|------------|-------|
| | A | B |
| 2 | 2.50 | 7.80 |
| 3 | 5.00 | 10.00 |
| 4 | 7.50 | 12.50 |
| 5 | 10.00 | 15.00 |
| 6 | 12.50 | 17.50 |
| 7 | 15.00 | 20.00 |
| 8 | 17.50 | 22.50 |
| 9 | 20.00 | 25.00 |
| 10 | 22.50 | 27.50 |
| 11 | 25.00 | 30.00 |
| 12 | 27.50 | 32.50 |
| 13 | 30.00 | 35.00 |
| 14 | 32.50 | 37.50 |
| 15 | 35.00 | 40.00 |
| 16 | 37.50 | 42.50 |

TOLERANCE
 X.X ±0.30
 X.XX ±0.20
 X.XXX ±0.10
 Angle ±2°

TITLE:
 MX2.5 DIP 90°
 Wafer

DRAWN: Shen 2022.01.08

CHECKED:

APPROVED:

KONNRA 东莞市康瑞电子有限公司
 DongGuan Konnra Electronics Co.,Ltd.

PART NO.: C2500RD***22T0101PB



Uniformly arrange the drawings

Shen 2022.01.08

MARK

REVISION DESCRIPTION

SIGNATURE

DATE

UNIT:mm SCALE:N/A

SHEET:1/1

PROJECTION

REV.:A3

DRAWING NO.:2500WRD101-B-S

1

2

3

4

5

6

7

8

9