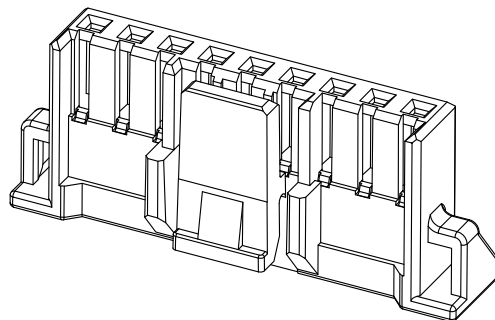
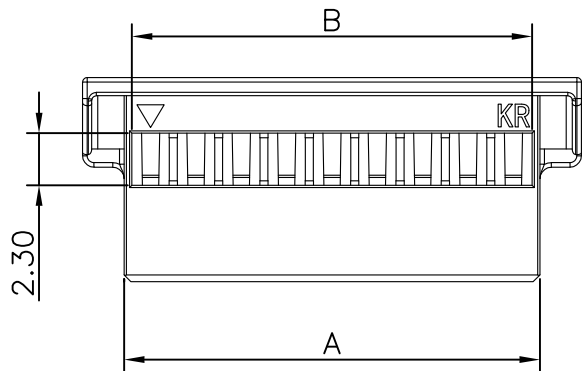


RoHS
COMPLIANT



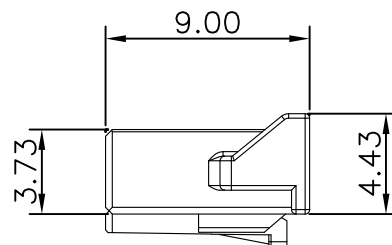
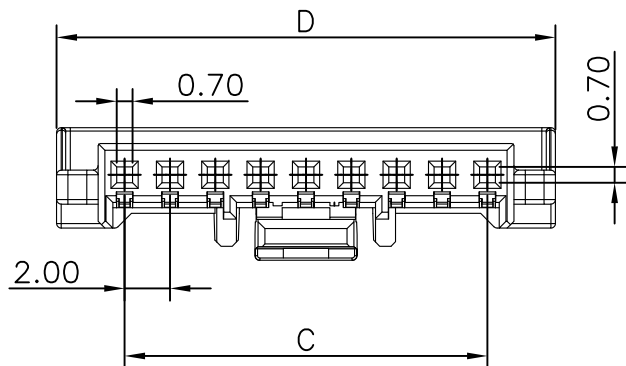
SPECIFICATIONS

1. Current rating: 3.0A AC, DC
2. Voltage rating: 250V AC,DC
3. Temperature range: -40°C ~ +105°C
4. Insulation resistance: 1000MΩ/ min.
5. Withstanding voltage: 500V AC/ minute.

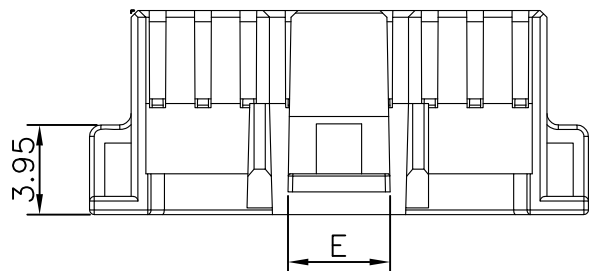
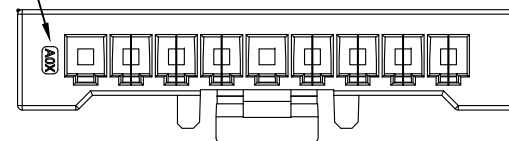
Material: Plastic(PA66)
Suitable:
KR2022 series terminal(22AWG~24AWG)
Mated with KR2022 series Wafer

Ordering Code: H202201** ** 01A

102=1*2P 01:PA66 WHITE
103=1*3P
....



Cav NO



PIN.	Dimension				
	A	B	C	D	E
2P	4.34	3.65	2.00	8.0	2.60
3P	6.34	5.65	4.00	10.0	3.60
4P	8.34	7.65	6.00	12.0	4.50
5P	10.34	9.65	8.00	14.0	
6P	12.34	11.65	10.00	16.0	
7P	14.34	13.65	12.00	18.0	
8P	16.34	15.65	14.00	20.0	
9P	18.34	17.65	16.00	22.0	11.10
10P	20.34	19.65	18.00	24.0	
11P	22.34	21.65	20.00	26.0	
12P	24.34	23.65	22.00	28.0	
13P	26.34	25.65	24.00	30.0	
14P	28.34	27.65	26.00	32.0	
15P	30.34	29.65	28.00	34.0	

TOLERANCE
X.X ±0.30
X.XX ±0.20
X.XXX ±0.10
Angle ±2°

TITLE:
PAL2.0 Housing

DRAWN: XYH 2023.04.06

CHECKED:

APPROVED:

KONNRA 东莞市康瑞电子有限公司
DongGuan Konnra Electronics Co.,Ltd.

PART NO.: H202201** ** 01A



NEW DWG

XYH

2023.04.06

MARK

REVISION DESCRIPTION

SIGNATURE

DATE

UNIT:mm

SCALE:1:1

SHEET:1/3

PROJECTION



REV.:A1

DRAWING NO.:2022H101-A-S