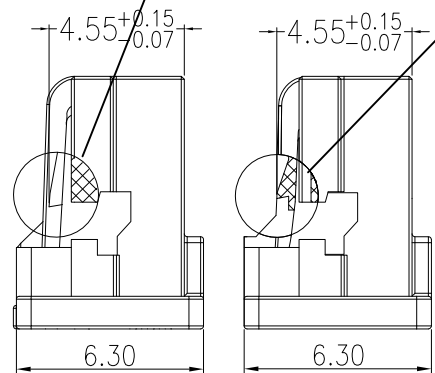
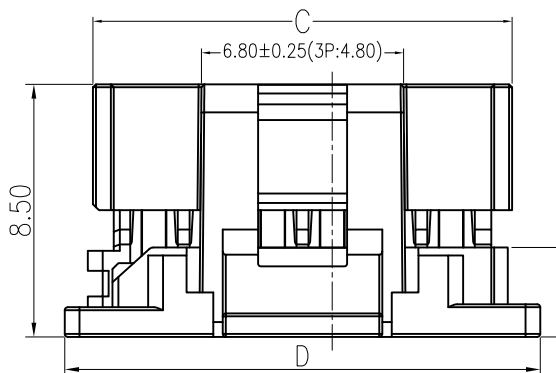
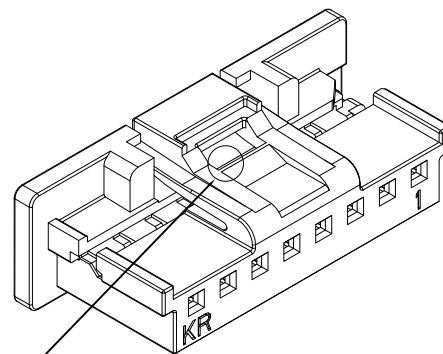
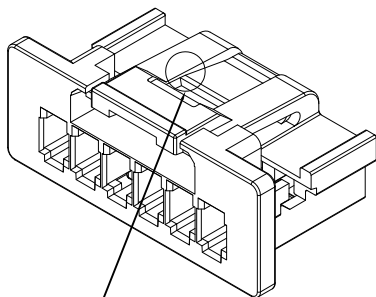
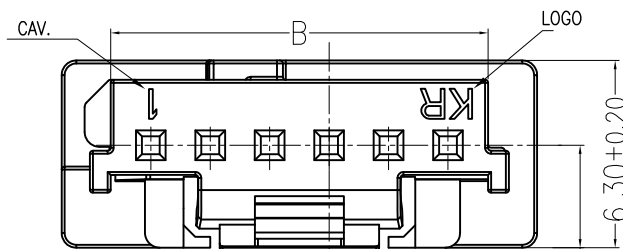
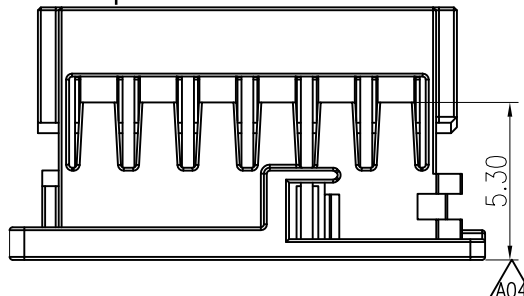


RoHS
COMPLIANT

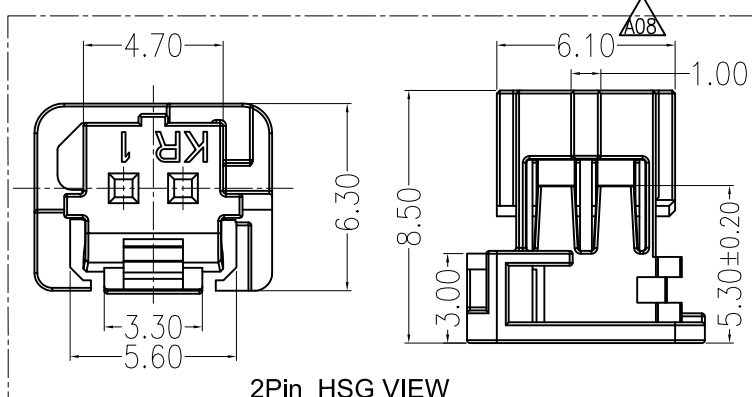
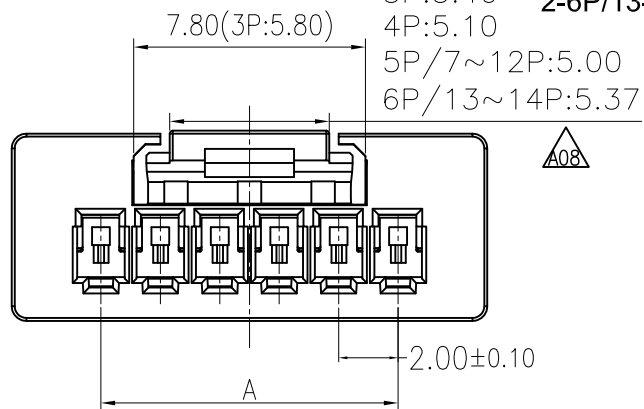


Measure the position of the steps



2-6P/13-16P VIEW 7-12P VIEW

3P:3.40
4P:5.10
5P/7~12P:5.00
6P/13~14P:5.37



2Pin_HSG VIEW

SPECIFICATIONS

1. Current rating: 3A AC, DC
2. Voltage rating: 125V AC,DC
3. Temperature range: -40°C ~ +125°C
4. Insulation resistance:1000mΩ Min.
5. Withstanding voltage: 500V AC/ minute.
6. Contact resistance: 10mΩ Max.

Material:PBT UL94V-0
Suitable KR2017 Series terminal and lock
Mate with KR2017 Series wafer

Ordering Code:

H20170 *** ** 01A

05:PBT Black A07
24:PBT Natural
No. of Circuits
102 : 2 ... 116,16

16	A06	30.00	32.70	34.10	36.00
15	A06	28.00	30.70	32.10	34.00
14		26.00	28.70	30.10	32.00
13		24.00	26.70	28.10	30.00
12		22.00	24.70	26.10	28.00
11		20.00	22.70	24.10	26.00
10		18.00	20.70	22.10	24.00
9		16.00	18.70	20.10	22.00
8		14.00	16.70	18.10	20.00
7		12.00	14.70	16.10	18.00
6		10.00	12.70	14.10	16.00
5		8.00	10.70	12.10	14.00
4		6.00	8.70	10.10	12.00
3		4.00	6.70	8.10	10.00
2			4.70	6.10	8.00
Circuits		A	B	C	D

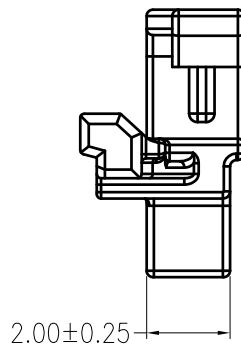
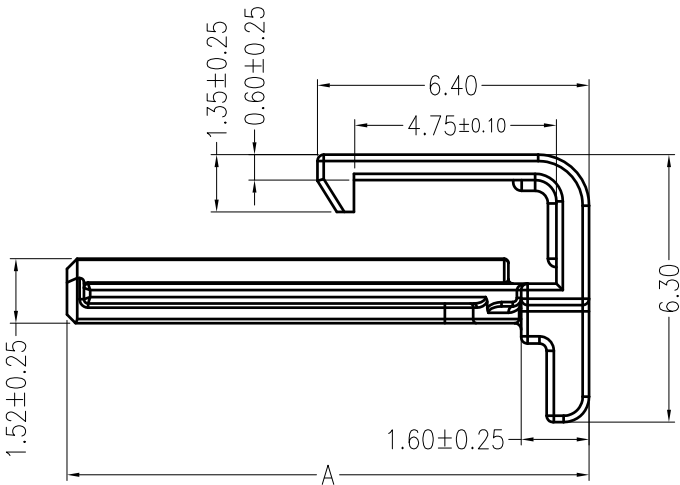
A08	Modify Size	ZSZ	2023.08.08	TOLERANCE	TITLE:	DRAWN: 33/11 2023.4.19
A07	Add specification	ZSZ	2023.06.05	X.X ±0.30	MX2.0 Inner buckle	CHECKED: 33/11 2023.4.19
A06	Add 15P,16P	ZZN	2023.04.19	X.XX ±0.20	Housing	APPROVED:
MARK	REVISION DESCRIPTION	SIGNATURE	DATE	X.XXX ±0.10	UNIT:mm	SHEET:1/1
				Angle ±2°	SCALE:1/1	PROJECTION

KONNRA 东莞市康瑞电子有限公司
DongGuan Konnra Electronics Co.,Ltd.

PART NO.:H20170*****01A

REV.:A08 DRAWING NO.:2017H101-A-S

RoHS
COMPLIANT



SPECIFICATIONS

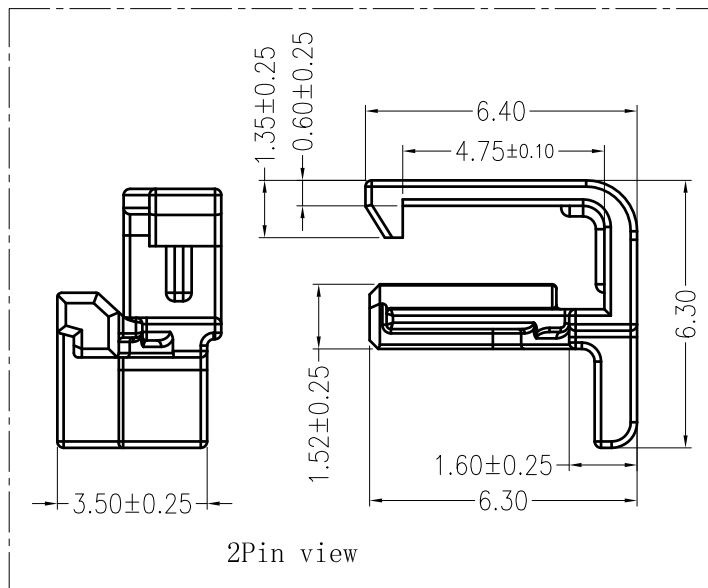
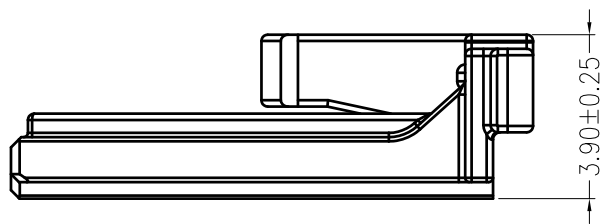
1. Current rating: 3A AC, DC
2. Voltage rating: 125V AC,DC
3. Temperature range: -40°C ~ +125°C
4. Insulation resistance:1000 MΩ Min.
5. Withstanding voltage: 500V AC/ minute.
6. Contact resistance: 10mΩ Max.

Material:PBT UL94 V-0
Suitable KR2017 Series housing

Ordering Code:

H20170 xxx xx 11A

102 : 2P
103 : 3P
104 : 4P...
Color:
05 : PBT Black



14	30.30
13	28.30
12	26.30
11	24.30
10	22.30
9	20.30
8	18.30
7	16.30
6	14.30
5	12.30
4	10.30
3	8.30
2	6.30
Circuits	A

	Add 13&14P spec	Arvin	2022.09.27
	Uniformly arrange the drawings	ZSZ	2021.09.17
MARK	REVISION DESCRIPTION	SIGNATURE	DATE
1	2	3	4

TOLERANCE	TITLE:
X.X ±0.30	MX2.0 Inner buckle
X.XX ±0.20	Housing
X.XXX ±0.10	
Angle ±2°	
UNIT:mm	SCALE:N/A

DRAWN:	Arvin 2020.12.25
CHECKED:	ZSZ 2021.09.17
APPROVED:	
SHEET: 1/1	PROJECTION

KONNRA 东莞市康瑞电子有限公司	
DongGuan Konnra Electronics Co.,Ltd.	
PART NO.:	H20170***0511A
REV.:	A3
DRAWING NO.:	2017H102-A-S
7	8