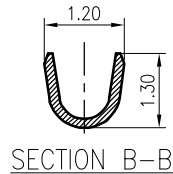
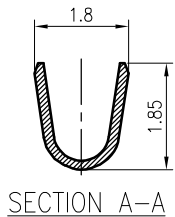
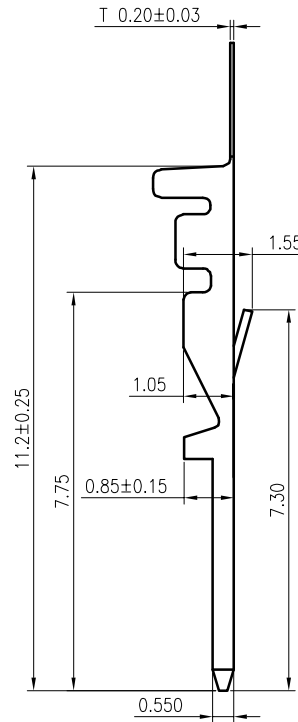
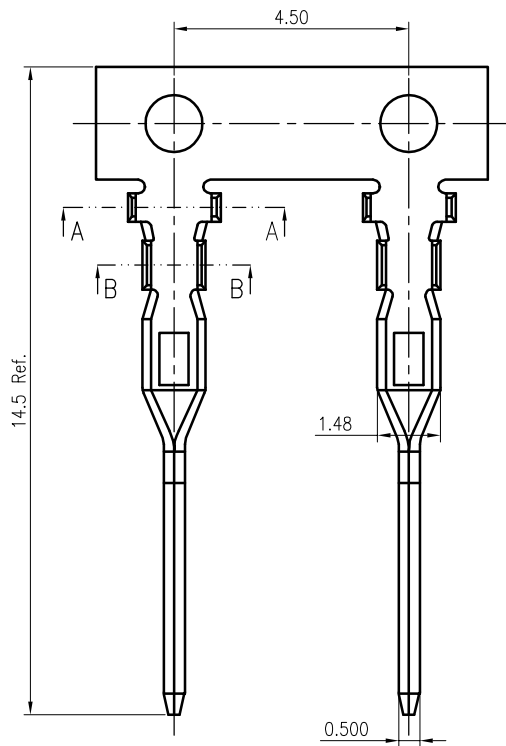


**RoHS**  
COMPLIANT



**SPECIFICATIONS**

1. Current rating: 2A AC, DC
2. Voltage rating: 100V AC,DC
3. Temperature range: -25°C ~ +85°C
4. Insulation resistance: 1000MΩ Min.
5. Withstanding voltage: 800V AC/ minute.
6. Contact resistance: 20mΩ Max.

Material: Phosphor Bronze  
 Plating: Tin-plated over nickel  
 Applicable wires:  
     AWG #28~#24  
     Insulation O.D.: 1.5mm Max.  
 Suitable KR2015 series housing  
 Mate with KR2001 series terminal  
 Q'ty/reel:10,000PCS

F	△4				<b>TOLERANCE</b> X.X ±0.30 X.XX ±0.20 X.XXX ±0.10 Angle ±2°	<b>TITLE:</b> PH2.0 Air docking Terminal	DRAWN: Arvin 2020.11.06		KONNRA 东莞市康瑞电子有限公司	
	△3						CHECKED:		DongGuan Konnra Electronics Co., Ltd.	
	△2						APPROVED:		PART NO. : TT20150PT0101A	
MARK	REVISION DESCRIPTION	SIGNATURE	DATE	UNIT: mm	SCALE: N/A	SHEET: 1/1	PROJECTION	REV. : A1	DRAWING NO. : 2015T101-A-S	
1	2	3	4	5	6	7	8	9		