

**RoHS**  
COMPLIANT

**SPECIFICATIONS**

1. Current rating: 3A AC, DC
2. Voltage rating: 250V AC,DC
3. Temperature range: -40°C ~ +105°C
4. Insulation resistance: 1000MΩ Min.
5. Withstanding voltage: 650V AC/ minute.
6. Contact resistance: 30mΩ Max.

**Applicable Wires:**

AWG#22~#28

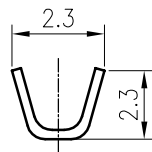
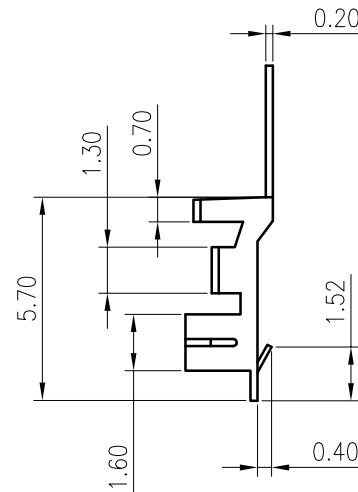
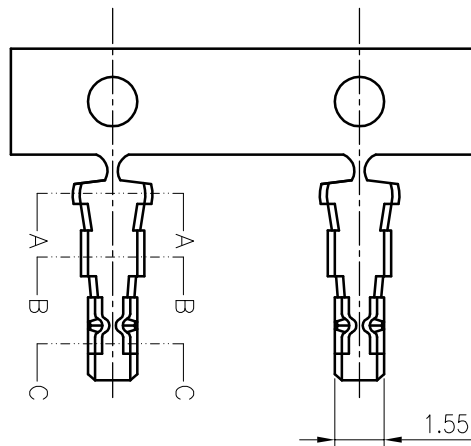
Insulation O.D. : 1.45mm MAX

Material: Phosphor Bronze

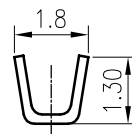
Plating: Tin plated over nickel

Suitable KR2009 series housing

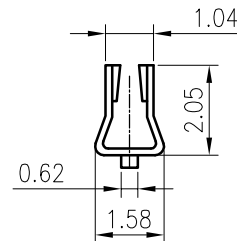
Q'ty/reel: 15,000 PCS



**SECTION A-A**



**SECTION B-B**



**SECTION C-C**

F					<b>TOLERANCE</b> X.X ±0.30 X.XX ±0.20 X.XXX ±0.10 Angle ±2°	<b>TITLE:</b> DF3 Terminal	DRAWN: Liujingtian 2020.5.25		KONNRA 东莞市康瑞电子有限公司	
							CHECKED:		DongGuan Konnra Electronics Co., Ltd.	
		Change the part number and frame format	LJT	2020.05.25			APPROVED:		PART NO. : T20090PT0101A	
	<b>MARK</b>	<b>REVISION DESCRIPTION</b>	<b>SIGNATURE</b>	<b>DATE</b>			<b>UNIT: mm</b>	<b>SCALE: N/A</b>	<b>SHEET: 1/1</b>	<b>PROJECTION</b>
	1	2	3	4	5	6	7	8	9	