

RoHS
COMPLIANT


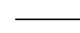
SPECIFICATIONS

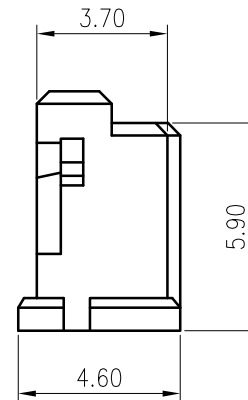
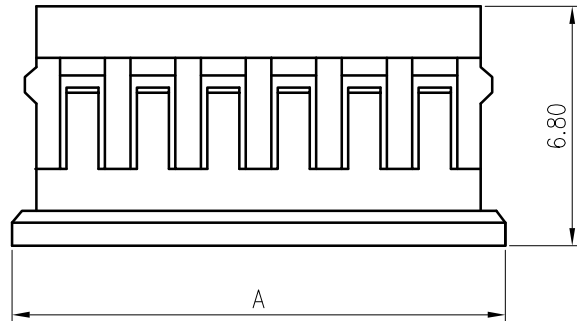
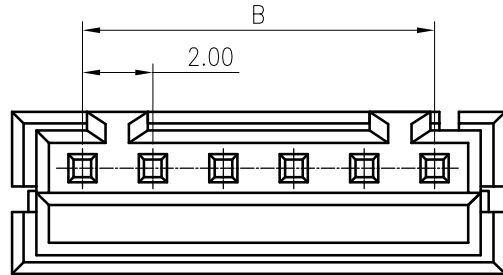
1. Current rating: 3A AC, DC
2. Voltage rating: 250V AC,DC
3. Temperature range: -40°C ~ +105°C
4. Insulation resistance: 1000MΩ Min.
5. Withstanding voltage: 650V AC/ minute.
6. Contact resistance: 30mΩ Max.

Material: PA66 UL 94V-0
Suitable KR2009 series terminal
Mate with KR2009 series wafer

Ordering Code:

H20090 *** 02 01A

No. of Circuits 
102:2,115:15
Insulator Material 
01:PA66 Black V0




Circuits	Dimension	
	A	B
2	6.00	2.00
3	8.00	4.00
4	10.00	6.00
5	12.00	8.00
6	14.00	10.00
7	16.00	12.00
8	18.00	14.00
9	20.00	16.00
10	22.00	18.00
11	24.00	20.00
12	26.00	22.00
13	28.00	24.00
14	30.00	26.00
15	32.00	28.00

MARK	REVISION	DESCRIPTION	SIGNATURE	DATE
A4				
A3				
A2		Change the part number and frame format	LJT	2020.05.25

TOLERANCE	
X. X	±0.30
X. XX	±0.20
X. XXX	±0.10
Angle	±2°

TITLE:	
DF3 Housing	
UNIT: mm	SCALE: N/A

DRAWN: Liujingtian 2020.5.25	
CHECKED:	
APPROVED:	
SHEET: 1/1	PROJECTION 

KONNRA 东莞市康瑞电子有限公司 DongGuan Konnra Electronics Co., Ltd.	
PART NO. : H20090***0201A	
REV. : A2	DRAWING NO. : 2009H101-A-S

RoHS
COMPLIANT

SPECIFICATIONS

1. Current rating: 3A AC, DC
2. Voltage rating: 250V AC,DC
3. Temperature range: -40°C ~ +105°C
4. Insulation resistance: 1000MΩ Min.
5. Withstanding voltage: 650V AC/ minute.
6. Contact resistance: 30mΩ Max.

Applicable Wires:

AWG#22~#28

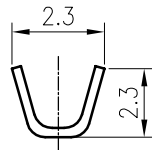
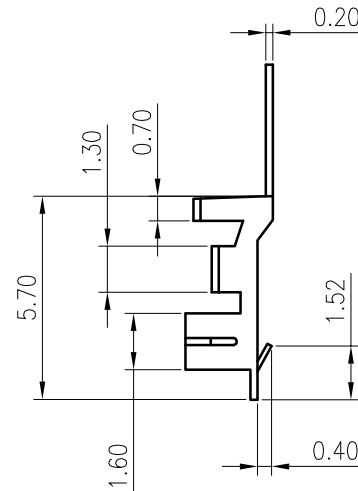
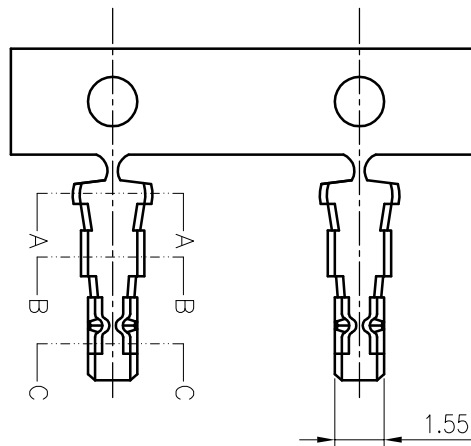
Insulation O.D. : 1.45mm MAX

Material: Phosphor Bronze

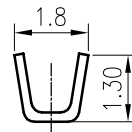
Plating: Tin plated over nickel

Suitable KR2009 series housing

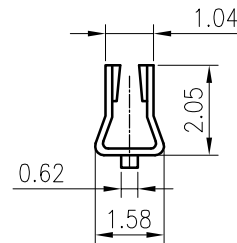
Q'ty/reel: 15,000 PCS



SECTION A-A



SECTION B-B



SECTION C-C

F					TOLERANCE X.X ±0.30 X.XX ±0.20 X.XXX ±0.10 Angle ±2°	TITLE: DF3 Terminal	DRAWN: Liujingtian 2020.5.25		KONNRA 东莞市康瑞电子有限公司	
							CHECKED:		DongGuan Konnra Electronics Co., Ltd.	
		Change the part number and frame format	LJT	2020.05.25			APPROVED:		PART NO. : T20090PT0101A	
	MARK	REVISION DESCRIPTION	SIGNATURE	DATE			UNIT: mm	SCALE: N/A	SHEET: 1/1	PROJECTION

RoHS
COMPLIANT

SPECIFICATIONS

1. Current rating: 3A AC, DC
2. Voltage rating: 250V AC,DC
3. Temperature range: -40°C ~ +105°C
4. Insulation resistance: 1000MΩ Min.
5. Withstanding voltage: 650V AC/ minute.
6. Contact resistance: 30mΩ Max.

Material:

Insulator: PA6T UL 94V-
Contact: Brass
Plating: Gold plated over Nickel
Mate with KR2009 series Housing

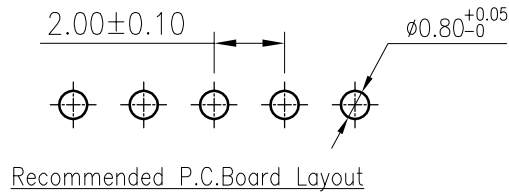
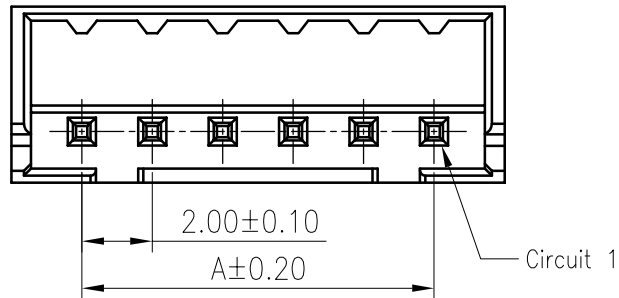
Ordering Code:

C2009VD *** 10G0101RA

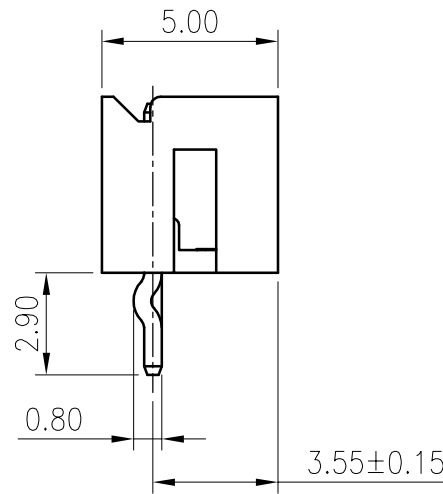
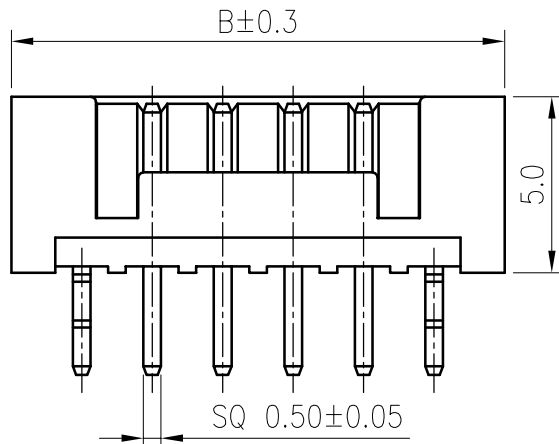
No. of Circuits

102:2,115:15

Circuits	Dimensions	
	A	A
2	2.00	6.00
3	4.00	8.00
4	6.00	10.00
5	8.00	12.00
6	10.00	14.00
7	12.00	16.00
8	14.00	18.00
9	16.00	20.00
10	18.00	22.00
11	20.00	24.00
12	22.00	26.00
13	24.00	28.00
14	26.00	30.00
15	28.00	32.00



Recommended P.C.Board Layout



F	△4				TOLERANCE X. X ±0.30 X. XX ±0.20 X. XXX ±0.10 Angle ±2°	TITLE: DF3 DIP 180° Wafer	DRAWN: Liujiangtian 2020.5.22		KONNRA 东莞市康瑞电子有限公司 DongGuan Konnra Electronics Co., Ltd.	
	△3						CHECKED:			
	△2	Change the part number and frame format	LJT	2020.05.22			APPROVED:			PART NO. : C2009VD***10G0101RA
	MARK	REVISION DESCRIPTION	SIGNATURE	DATE			UNIT: mm	SCALE: N/A		SHEET: 1/1
	1	2	3	4	5	6	7	8	9	

RoHS
COMPLIANT

SPECIFICATIONS

1. Current rating: 3A AC, DC
2. Voltage rating: 250V AC,DC
3. Temperature range: -40°C ~ +105°C
4. Insulation resistance: 1000MΩ Min.
5. Withstanding voltage: 650V AC/ minute.
6. Contact resistance: 30mΩ Max.

Material:

Insulator: PA6T UL 94V-0
Contact: Brass
Plating: Gold plated over Nickel
Mate with KR2009 series Housing

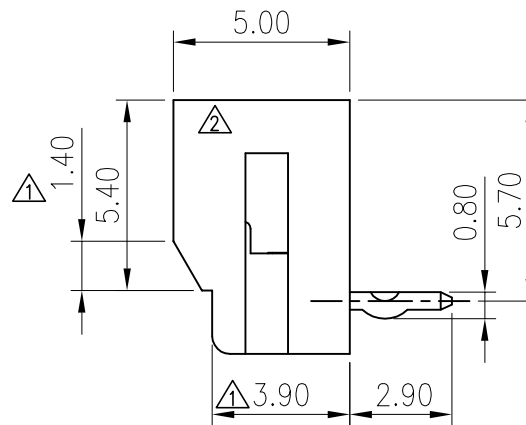
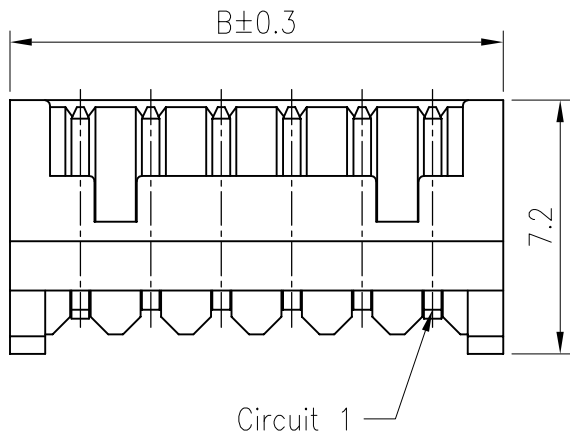
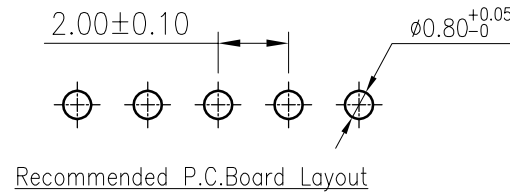
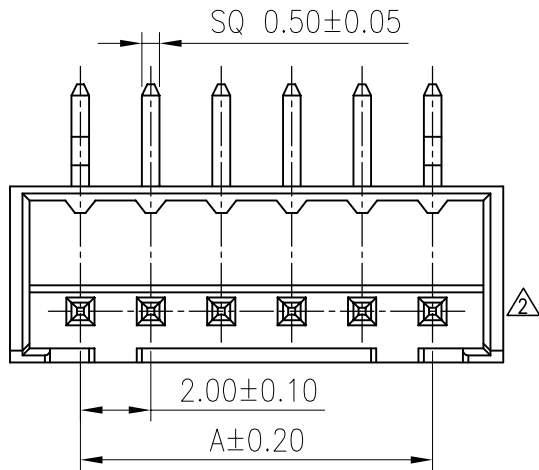
Ordering Code:

C2009RD *** 10G0101RA

No. of Circuits

102:2,115:15

Circuits	Dimensions	
	A	A
2	2.00	6.00
3	4.00	8.00
4	6.00	10.00
5	8.00	12.00
6	10.00	14.00
7	12.00	16.00
8	14.00	18.00
9	16.00	20.00
10	18.00	22.00
11	20.00	24.00
12	22.00	26.00
13	24.00	28.00
14	26.00	30.00
15	28.00	32.00



F	△4			TOLERANCE X. X ±0.30 X. XX ±0.20 X. XXX ±0.10 Angle ±2°	TITLE: DF3 DIP 90° Wafer	DRAWN: Liujiangtian 2020.5.25		KONNRA 东莞市康瑞电子有限公司 DongGuan Konnra Electronics Co., Ltd. PART NO.: C2009RD***10T0101RA REV.: A2 DRAWING NO.: 2009WRD101-A-S			
	△3					CHECKED:					
	△2	Change the part number and frame format	LJT			2020.05.25	APPROVED:				
	MARK	REVISION DESCRIPTION	SIGNATURE			DATE	UNIT: mm				SCALE: N/A
	1	2	3	4	5	6	7	8	9		