

RoHS
COMPLIANT

SPECIFICATIONS

1. Current rating: 3A AC, DC
2. Voltage rating: 250V AC,DC
3. Temperature range: -40°C ~ +105°C
4. Insulation resistance: 1000MΩ Min.
5. Withstanding voltage: 650V AC/ minute.
6. Contact resistance: 30mΩ Max.

Material:

Insulator: PA6T UL 94V-
Contact: Brass
Plating: Gold plated over Nickel
Mate with KR2009 series Housing

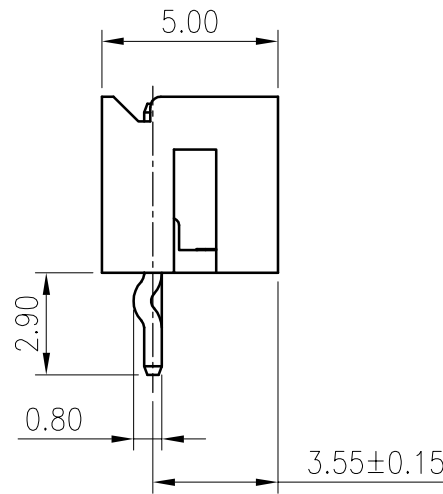
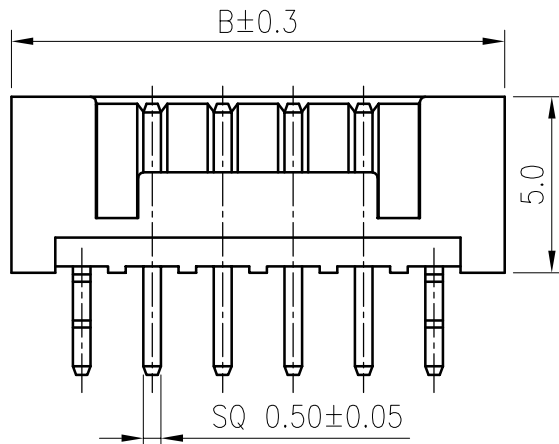
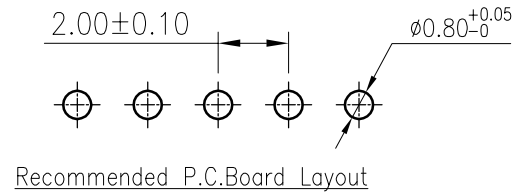
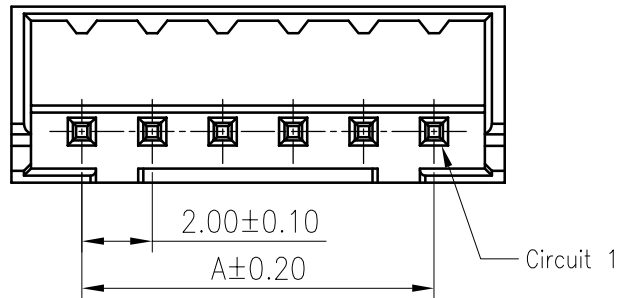
Ordering Code:

C2009VD *** 10G0101RA

No. of Circuits

102:2,115:15

Circuits	Dimensions	
	A	A
2	2.00	6.00
3	4.00	8.00
4	6.00	10.00
5	8.00	12.00
6	10.00	14.00
7	12.00	16.00
8	14.00	18.00
9	16.00	20.00
10	18.00	22.00
11	20.00	24.00
12	22.00	26.00
13	24.00	28.00
14	26.00	30.00
15	28.00	32.00



MARK	REVISION	DESCRIPTION	SIGNATURE	DATE	TOLERANCE	TITLE:	DRAWN:	REV. :	DRAWING NO. :
A4					X. X ±0.30	DF3 DIP 180° Wafer	Liujingtian 2020.5.22	A2	2009WD101-A-S
A3				X. XX ±0.20	CHECKED:				
A2	1	Change the part number and frame format	LJT	2020.05.22	X. XXX ±0.10		APPROVED:		
	1				Angle ±2°	UNIT: mm	SCALE: N/A	SHEET: 1/1	PROJECTION

KONNRA 东莞市康瑞电子有限公司
DongGuan Konnra Electronics Co., Ltd.

PART NO. : C2009VD***10G0101RA

REV. : A2 DRAWING NO. : 2009WD101-A-S