

RoHS
COMPLIANT

SPECIFICATIONS

1. Current rating: 4A AC, DC
2. Voltage rating: 125V AC,DC
3. Temperature range: -40°C ~ +105°C
4. Insulation resistance: 1000MΩ Min.
5. Withstanding voltage: 1000V AC/ minute.
6. Contact resistance: 20m Ω Max.

Material:

Insulator: PA66 UL 94V-0

Contact: Brass

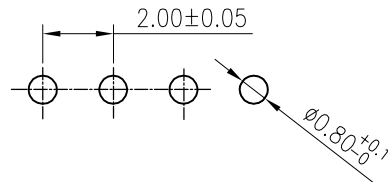
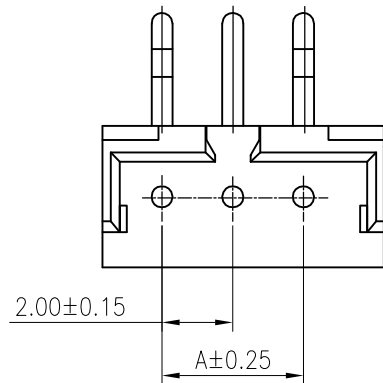
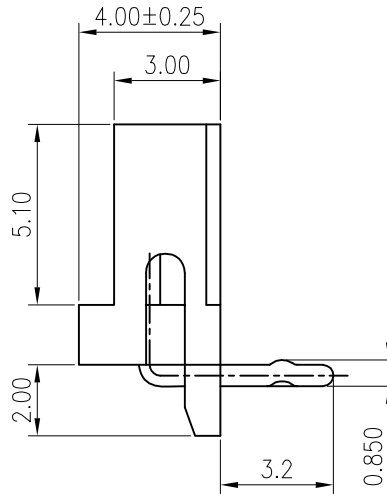
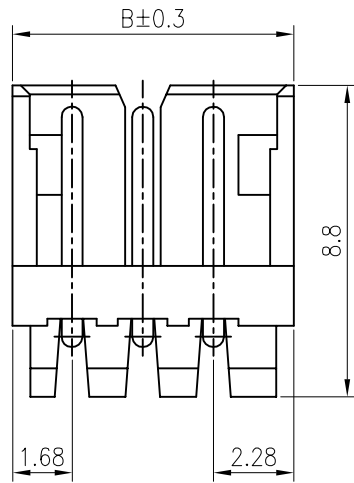
Plating: Tin plated over nickel

Mate with KR2008 series housing

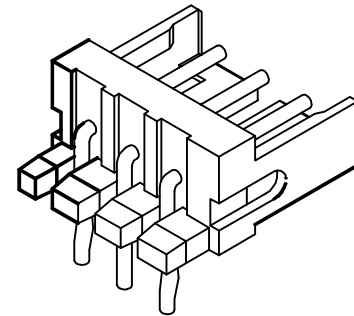
Ordering Code:

C2008RD *** 01T0101PB

No.of Circuits
102:2,115:15



Recommended P.C.B. Layout
Total tolerance:±0.05mm



Circuits	Dimensions	
	A	B
2	2.00	5.96
3	4.00	7.96
4	6.00	9.96
5	8.00	11.96
6	10.00	13.96
7	12.00	15.96
8	14.00	17.96
9	16.00	19.96
10	18.00	21.96
11	20.00	23.96
12	22.00	25.96
13	24.00	27.96
14	26.00	29.96
15	28.00	31.96

△4			
△3	Uni formly arrange the drawings	ZSZ	2021.09.09
△2	Change the part number and frame format	LJT	2020.05.04

TOLERANCE		TITLE:	
X. X	±0.30	AMP 2.0 DIP 90°	
X. XX	±0.20	Wafer	
X. XXX	±0.10		
Angle ±2°			

DRAWN: ZSZ 2021.09.09	
CHECKED:	
APPROVED:	

KONNRA 东莞市康瑞电子有限公司	
DongGuan Konnra Electronics Co., Ltd.	
PART NO. : C2008RD***01T0101PB	

MARK	REVISION DESCRIPTION	SIGNATURE	DATE	UNIT: mm	SCALE: N/A	SHEET: 1/1	PROJECTION	REV. : A3	DRAWING NO. : 2008WRD101-B-S
------	----------------------	-----------	------	----------	------------	------------	------------	-----------	------------------------------