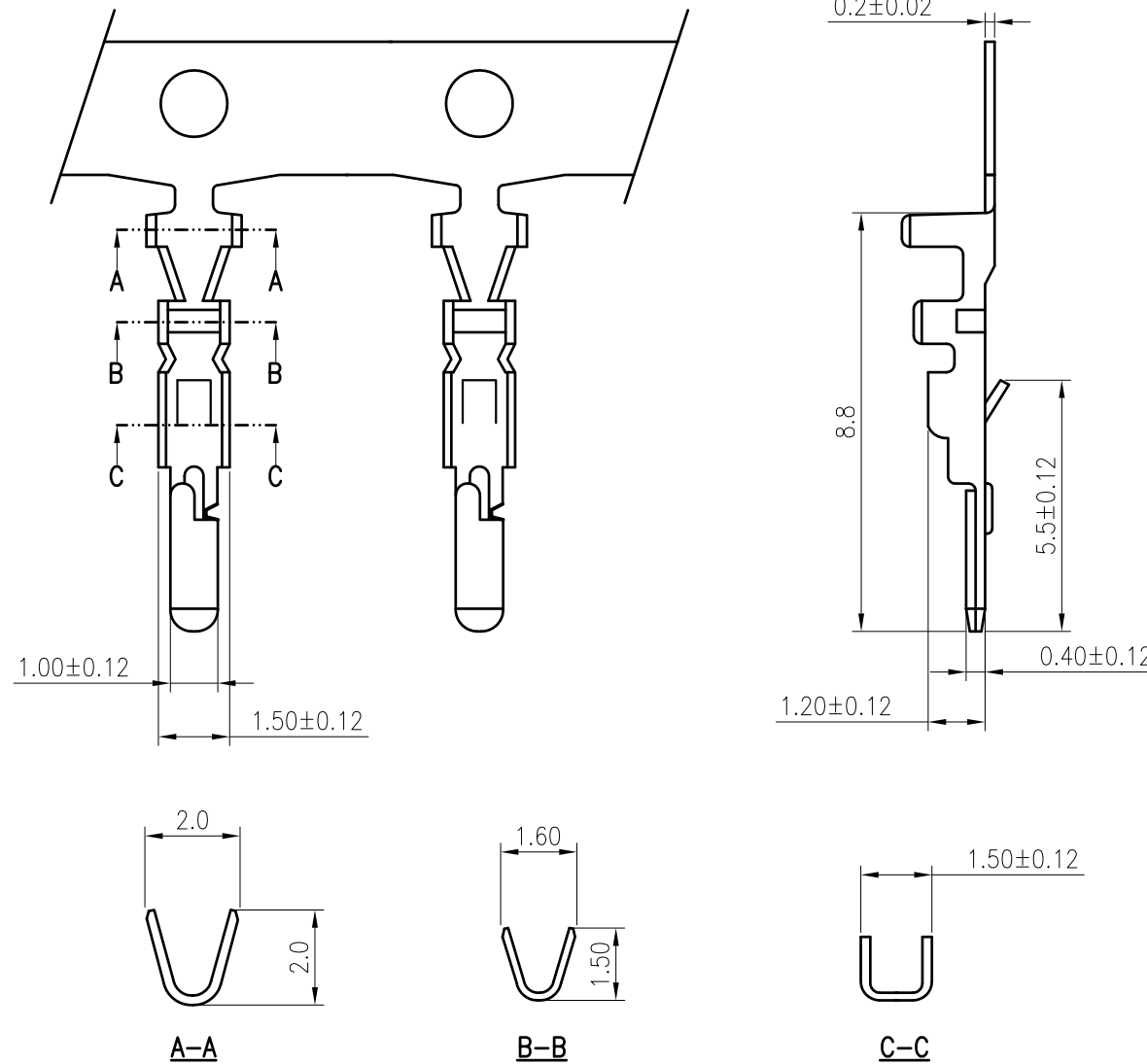


**RoHS**  
COMPLIANT



**SPECIFICATIONS**

1. Current rating: 2A AC, DC
2. Voltage rating: 125V AC,DC
3. Temperature range: -40°C ~ +105°C
4. Insulation resistance: 1000MΩ Min.
5. Withstanding voltage: 500V AC/ minute.
6. Contact resistance: 20mΩ Max.

**Applicable Wires:**

AWG#24~#28

Insulation O.D. : 1.40mm MAX

Material: Phosphor Bronze

Finish: Tin-Plated

Suitable KR2007 series housing

Q'ty/reel: 13,000PCS

F	A3	Uniformly arrange the drawings	ZSZ	2021.09.24	TOLERANCE X.X ±0.30 X.XX ±0.20 X.XXX ±0.10 Angle ±2°	TITLE: MX2.0 Air docking Female Terminal	DRAWN: ZSZ 2021.09.24			KONNRA 东莞市康瑞电子有限公司 DongGuan Konnra Electronics Co.,Ltd.				
		A2	Change the part number and frame format	LJT			2020.04.29	CHECKED:			PART NO.: T2007MPT0101C			
	MARK		REVISION DESCRIPTION	SIGNATURE			DATE	UNIT:mm	SCALE:1/1	SHEET:1/1	PROJECTION	REV.:A3	DRAWING NO.:2007TM101-C-S	
	1	2	3	4			5	6	7	8	9			