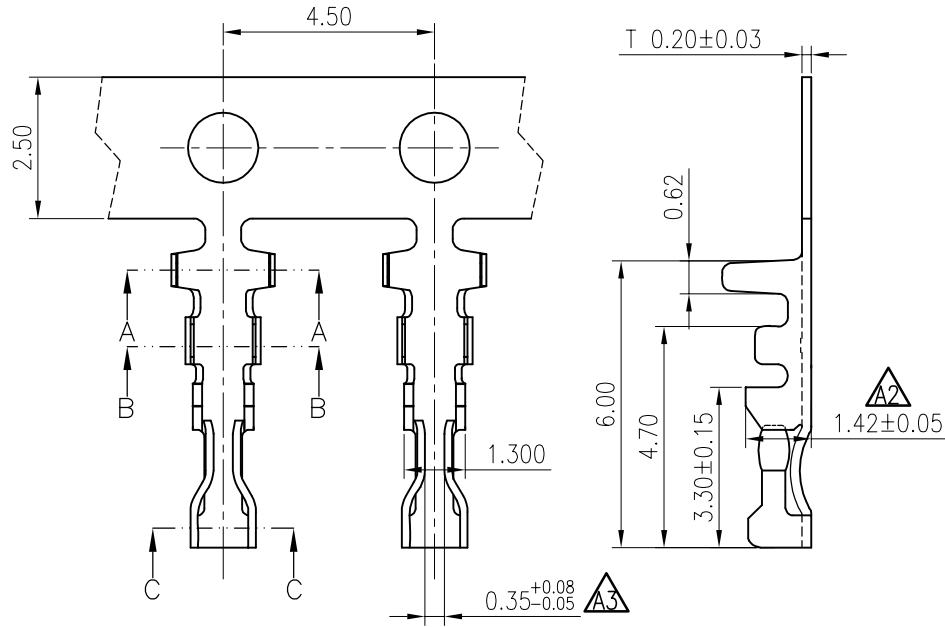


RoHS
COMPLIANT



SPECIFICATIONS

1. Current rating: 2A AC, DC
2. Voltage rating: 250V AC, DC
3. Temperature range: $-40^{\circ}\text{C} \sim +105^{\circ}\text{C}$
4. Insulation resistance: 1000M Ω / min.
5. Withstanding voltage: 1000V AC/ minute.
6. Contact resistance: 20m Ω / max.

Material: Brass

Plating: Selective gold plated over Nickel

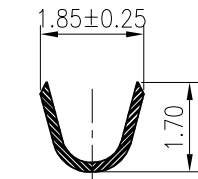
Applicable Wires:

AWG#24~#28

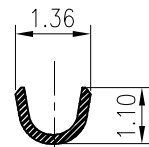
Insulation O.D. : 1.40mm MAX

Suitable KR2006 series housing

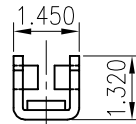
Q'ty/Reel: 20,000 PCS



SECTION A-A



SECTION B-B



SECTION C-C

F					TOLERANCE X. X ± 0.30 X. XX ± 0.20 X. XXX ± 0.10 Angle $\pm 2^{\circ}$	TITLE: DP2.0 Terminal	DRAWN: Arvin 2020.04.09		KONNRA 东莞市康瑞电子有限公司		
		Add dimensions	Arvin	2021.09.16			CHECKED:		DongGuan Konnra Electronics Co., Ltd.		
		Change 1.35 to 1.42	Arvin	2021.06.10			APPROVED:		PART NO. : T20060BB0201B		
	MARK	REVISION DESCRIPTION	SIGNATURE	DATE			UNIT: mm	SCALE: N/A	SHEET: 1/1	PROJECTION	REV. : A3
	1	2	3	4	5	6	7	8	9		