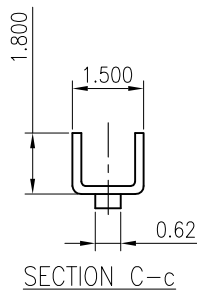
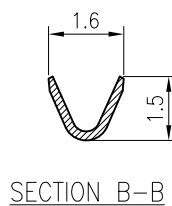
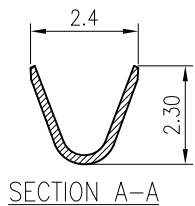
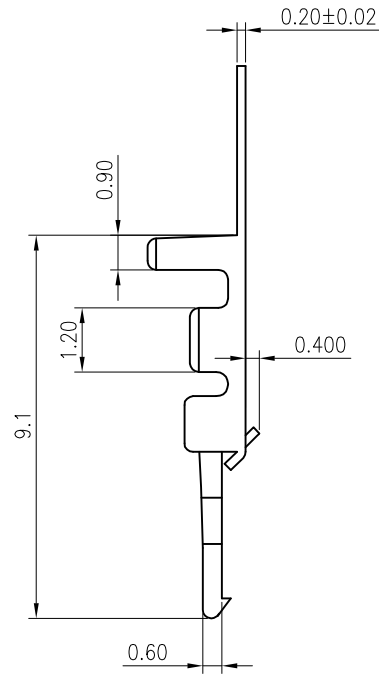
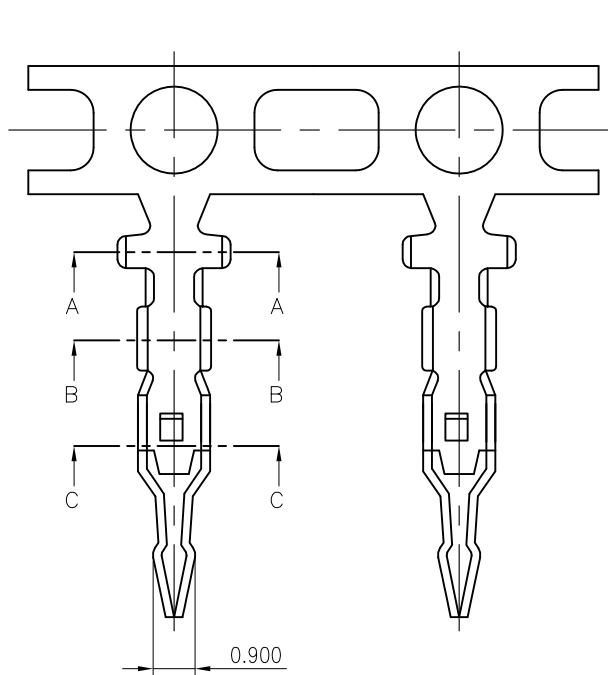


RoHS
COMPLIANT



SPECIFICATIONS

1. Current rating: 2A AC, DC
2. Voltage rating: 250V AC,DC
3. Temperature range: -40°C ~ +105°C
4. Insulation resistance: 1000MΩ/ min.
5. Withstanding voltage: 800V AC/ minute.
6. Contact resistance: 20mΩ/ max.

Material: Brass

Plating: Tin plated over Nickel

Applicable wires:

AWG #24~#28

Insulation O.D.: 1.4mm Max.

Suitable KR2003 series housing

Q'ty/reel: 10,000PCS

				TOLERANCE		TITLE:		DRAWN: <i>ZSZ 2021.09.08</i>		KONNRA 东莞市康瑞电子有限公司			
F		△2		Uniformly arrange the drawings		ZSZ 2021.09.08		X.X ±0.30		SAN2.0		DongGuan Konnra Electronics CO.,LTD	
		△1		Change the part number and frame format		Arvin 2020.05.23		X.XX ±0.20		180° Terminal		APPROVED:	
MARK		REVISION DESCRIPTION		SIGNATURE		DATE		X.XXX ±0.10		PART NO.: T2003VBT0101A		VER.: A2	
								Angle ±2°		DRAWING NO.: 2003TV101-A-S			
1		2		3		4		5		6		7	
UNIT:mm		SCALE:N/A		SHEET:1/1		PROJECTION		VER.:A2		DRAWING NO.:2003TV101-A-S			
1		2		3		4		5		6		7	