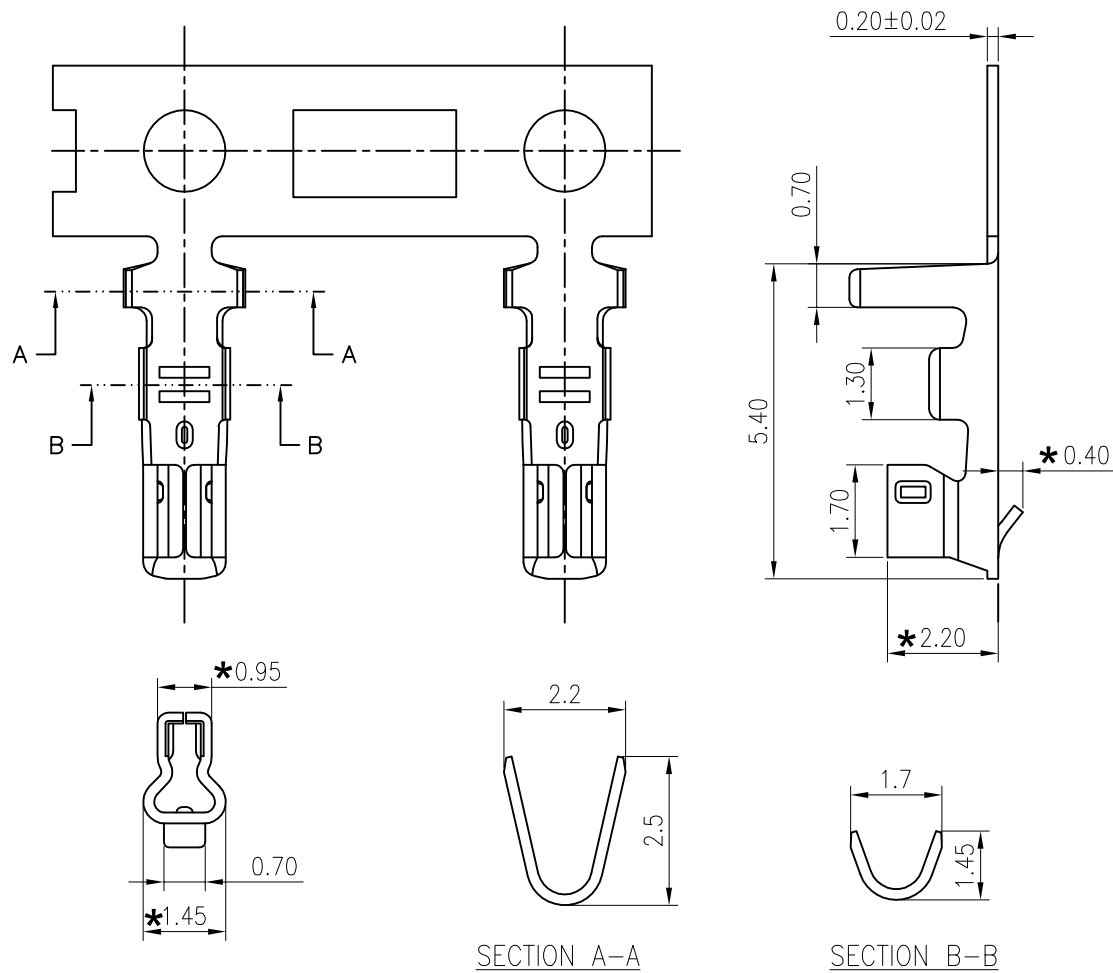


RoHS  
COMPLIANT



◆ SPECIFICATIONS

- Current rating: 2A AC, DC
- Voltage rating: 100V AC, DC
- Temperature range:  $-25^{\circ}\text{C} \sim +85^{\circ}\text{C}$
- Insulation resistance:  $1000\text{M}\Omega$  Min.
- Withstanding voltage: 800V AC/ minute.
- Contact resistance:  $20\text{m}\Omega$  Max.

Material: Phosphor Bronze or brass

Plating: Tin-plated over nickel

Applicable wires:

AWG #28~#24

Insulation O.D.: 1.5mm Max.

Suitable KR2001 series housing

Q'ty/reel: 10,000PCS

"\*"为重点检验尺寸

Ordering Code:

T20010 P    \*\*\* 01 01A

Material    J    Type

P: Phosphor bronze    01: 先冲后镀

B: Brass    02: 先镀后冲

Plating

T01: Tin plated

B01: Selective gold plated

G03: gold plated 3u"

S00: Unplated

F				TOLERANCE	TITLE:	DRAWN:	KONNRA 东莞市康瑞电子有限公司			
				X.X $\pm 0.30$	PH2.0 Terminal	CHECKED:	DongGuan Konnra Electronics Co.,Ltd.			
		更改料号及图框格式	Arvin	X.XX $\pm 0.20$		APPROVED:	PART NO.: T20010*****A			
				X.XXX $\pm 0.10$				REV.: A2	DRAWING NO.: 2001T101-A-S	
	MARK	REVISION DESCRIPTION	SIGNATURE	DATE	UNIT: mm	SCALE: N/A	SHEET: 1/1	PROJECTION		
	1	2	3	4	5	6	7	8	9	