

RoHS
COMPLIANT

SPECIFICATIONS

1. Current rating: 2A AC, DC
2. Voltage rating: 125V AC,DC
3. Temperature range: -40°C ~ +105°C
4. Insulation resistance: 1000MΩ Min.
5. Withstanding voltage: 800V AC/ minute.
6. Contact resistance: 20mΩ Max.

Applicable Wires:

AWG#24~#30

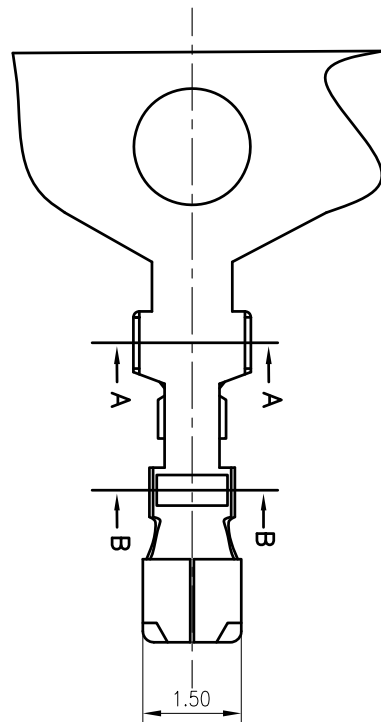
Insulation O.D. : 1.40mm MAX

Material: Phosphor Bronze

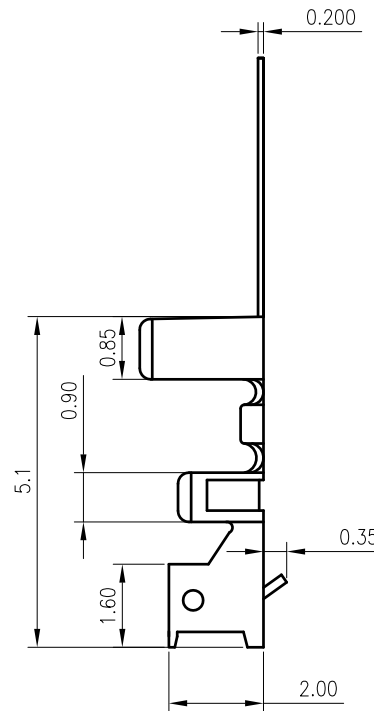
Plating: Tin plated over nickel

Suitable KR2000 series housing

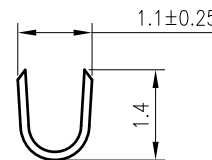
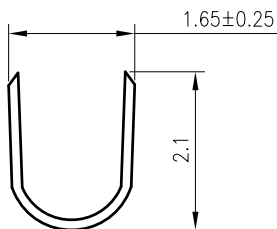
Q'ty/Reel: 10,000 PCS



SECTION A-A



SECTION B-B



F		Uniformly arrange the drawings	ZSZ	2021.09.09	TOLERANCE X.X ±0.30 X.XX ±0.20 X.XXX ±0.10 Angle ±2°	TITLE: MX2.0 Terminal		DRAWN: ZSZ 2021.09.09		KONNRA 东莞市康瑞电子有限公司 DongGuan Konnra Electronics Co.,Ltd.			
			Change the part number and frame format	LJT				2020.04.29	CHECKED:				
			REVISION DESCRIPTION					SIGNATURE	DATE			APPROVED:	
			MARK	REVISION DESCRIPTION				SIGNATURE	DATE			UNIT:mm	SCALE:N/A
1	2	3	4	5	6	7	8	9					