

RoHS
COMPLIANT

SPECIFICATIONS

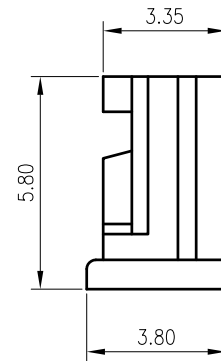
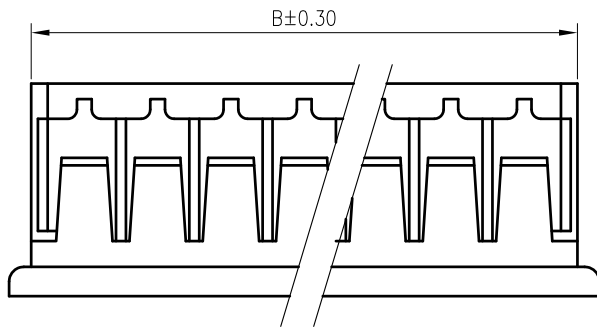
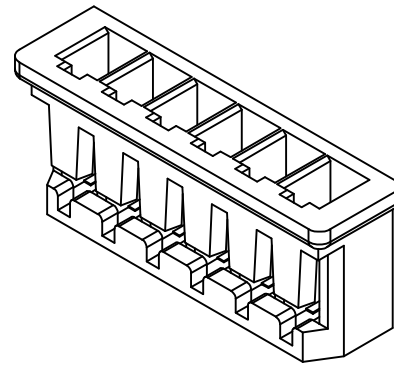
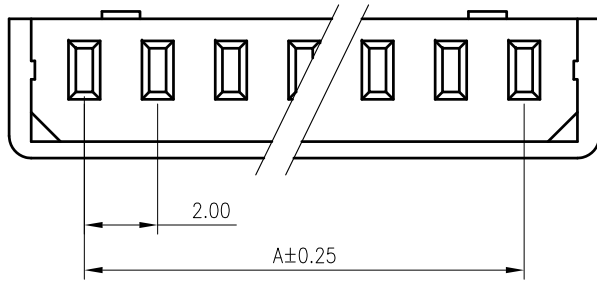
1. Current rating: 2A AC, DC
2. Voltage rating: 125V AC,DC
3. Temperature range: -40°C ~ +105°C
4. Insulation resistance: 1000MΩ Min.
5. Withstanding voltage: 800V AC/ minute.
6. Contact resistance: 20m Ω Max.

Material: PA66 UL 94V-0
 Suitable KR2000 series terminal
 Mate with KR2000 series wafer
 Ordering Code:

H20000 *** 01 01A

No.of Circuits
 102:2,115:15

Insulator Material
 01:PA66 White V0



Circuits	Dimension	
	A	B
2	2.00	4.90
3	4.00	6.90
4	6.00	8.90
5	8.00	10.90
6	10.00	12.90
7	12.00	14.90
8	14.00	16.90
9	16.00	18.90
10	18.00	20.90
11	20.00	22.90
12	22.00	24.90
13	24.00	26.90
14	26.00	28.90
15	28.00	30.90

MARK	REVISION DESCRIPTION	SIGNATURE	DATE	TOLERANCE	TITLE:	DRAWN:	REV.:	DRAWING NO.:
A3	Uniformly arrange the drawings	ZSZ	2021.09.09	X.X ±0.30	MX2.0 Housing	ZSZ 2021.09.09	A3	2000H101-A-S
A2	Change the part number and frame format	LJT	2020.04.29	X.XX ±0.20		CHECKED:		
				X.XXX ±0.10		APPROVED:		
				Angle ±2°	UNIT:mm	SCALE:N/A	SHEET:1/1	PROJECTION

KONNRA 东莞市康瑞电子有限公司
 DongGuan Konnra Electronics Co.,Ltd.

PART NO.: H20000***0101A

REV.: A3

RoHS
COMPLIANT

SPECIFICATIONS

1. Current rating: 2A AC, DC
2. Voltage rating: 125V AC,DC
3. Temperature range: -40°C ~ +105°C
4. Insulation resistance: 1000MΩ Min.
5. Withstanding voltage: 800V AC/ minute.
6. Contact resistance: 20mΩ Max.

Applicable Wires:

AWG#24~#30

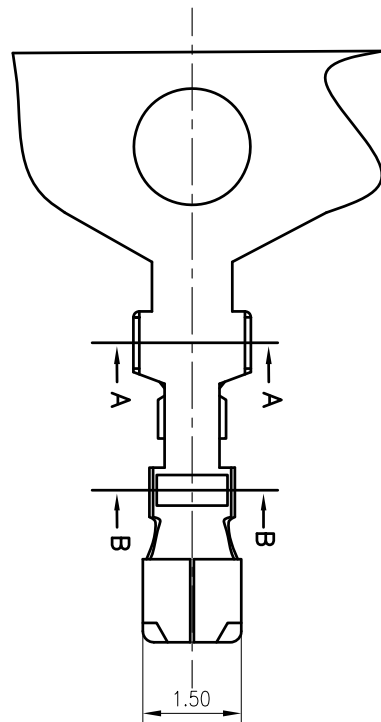
Insulation O.D. : 1.40mm MAX

Material: Phosphor Bronze

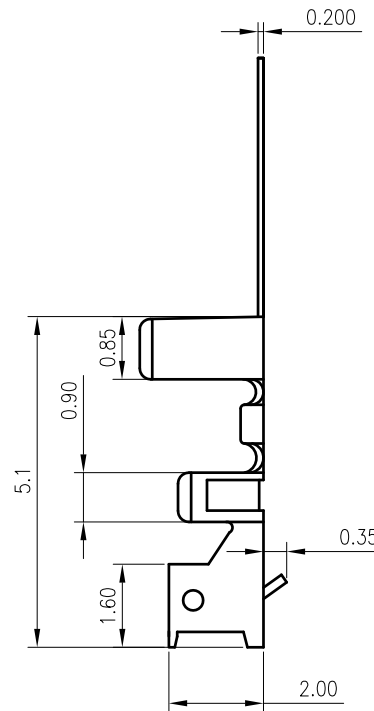
Plating: Tin plated over nickel

Suitable KR2000 series housing

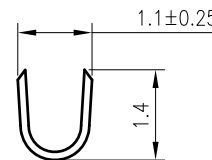
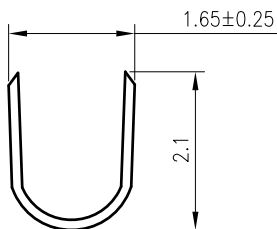
Q'ty/Reel: 10,000 PCS



SECTION A-A



SECTION B-B



F		Uniformly arrange the drawings	ZSZ	2021.09.09	TOLERANCE X.X ±0.30 X.XX ±0.20 X.XXX ±0.10 Angle ±2°	TITLE: MX2.0 Terminal		DRAWN: ZSZ 2021.09.09		KONNRA 东莞市康瑞电子有限公司 DongGuan Konnra Electronics Co.,Ltd.			
			Change the part number and frame format	LJT				2020.04.29	CHECKED:				
			REVISION DESCRIPTION					SIGNATURE	DATE			APPROVED:	
			MARK	REVISION DESCRIPTION				SIGNATURE	DATE			UNIT:mm	SCALE:N/A
1	2	3	4	5	6	7	8	9					

RoHS
COMPLIANT

SPECIFICATIONS

1. Current rating: 2A AC, DC
2. Voltage rating: 125V AC,DC
3. Temperature range: -40°C ~ +105°C
4. Insulation resistance: 1000MΩ Min.
5. Withstanding voltage: 800V AC/ minute.
6. Contact resistance: 20m Ω Max.

Material:

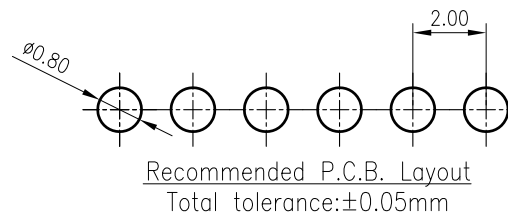
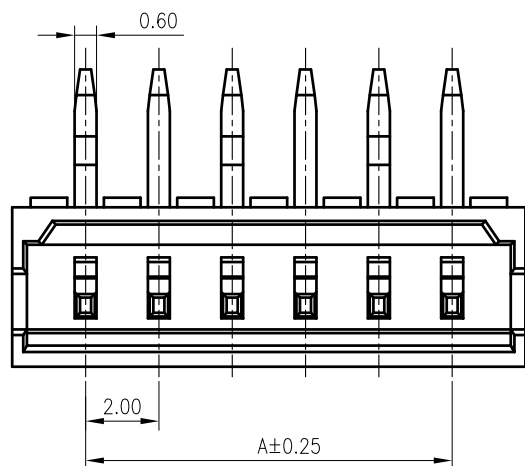
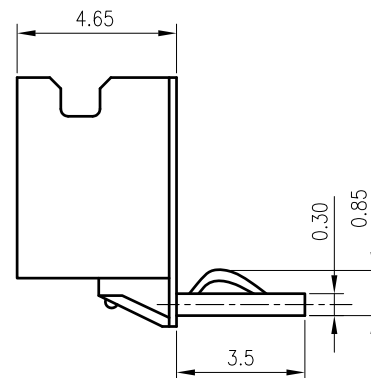
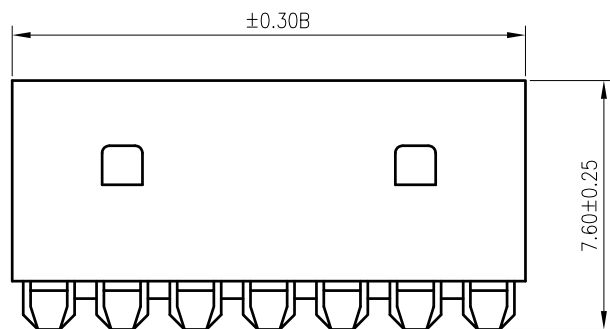
Insulator: Nylon 66 UL 94V-0
Contact: Brass
Plating: Tin plated over Nickel
Mate with KR2000 series Housing

Ordering Code:

C2000RD *** 22 T01 01 BB

No.of Circuits

102:2,115:15



Circuits	Dimensions	
	A	B
2	2.00	6.00
3	4.00	8.00
4	6.00	10.00
5	8.00	12.00
6	10.00	14.00
7	12.00	16.00
8	14.00	18.00
9	16.00	20.00
10	18.00	22.00
11	20.00	24.00
12	22.00	26.00
13	24.00	28.00
14	26.00	30.00
15	28.00	32.00

F		Uniformly arrange the drawings	ZSZ	2021.09.09	TOLERANCE X.X ±0.30 X.XX ±0.20 X.XXX ±0.10 Angle ±2°	TITLE: MX2.0 DIP 90° Wafer	DRAWN: ZSZ 2021.09.09		KONNRA 东莞市康瑞电子有限公司 DongGuan Konnra Electronics Co.,Ltd.			
		Change the part number and frame format	LJT	2020.04.29			CHECKED:					
	MARK		REVISION DESCRIPTION	SIGNATURE	DATE	UNIT:mm	SCALE:N/A	SHEET: 1/1		PROJECTION	REV.: A3	DRAWING NO.: 2000WRD101-B-S
	1	2	3	4	5	6	7	8	9			

RoHS
COMPLIANT

SPECIFICATIONS

1. Current rating: 2A AC, DC
2. Voltage rating: 125V AC,DC
3. Temperature range: -40°C ~ +105°C
4. Insulation resistance: 1000MΩ Min.
5. Withstanding voltage: 800V AC/ minute.
6. Contact resistance: 20m Ω Max.

Material:

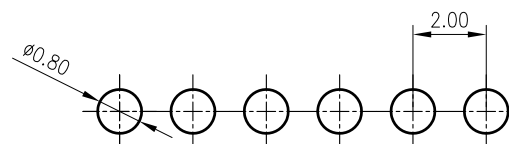
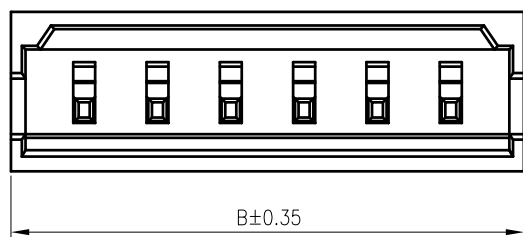
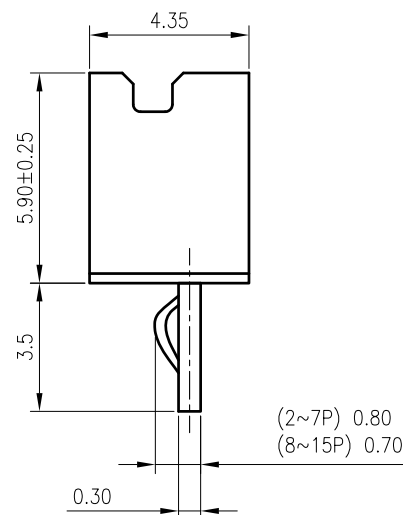
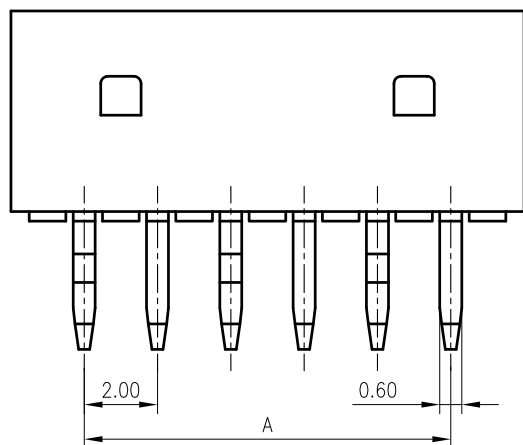
Insulator: Nylon 66 UL 94V-0
Contact: Brass
Plating: Tin plated over Nickel
Mate with KR2000 series Housing

Ordering Code:

C2000VD *** 22 T01 01 BB

No.of Circuits

102:2,115:15



Recommended P.C.B. Layout
Total tolerance:±0.05mm

Circuits	Dimensions	
	A	B
2	2.00	6.00
3	4.00	8.00
4	6.00	10.00
5	8.00	12.00
6	10.00	14.00
7	12.00	16.00
8	14.00	18.00
9	16.00	20.00
10	18.00	22.00
11	20.00	24.00
12	22.00	26.00
13	24.00	28.00
14	26.00	30.00
15	28.00	32.00

MARK	REVISION DESCRIPTION	SIGNATURE	DATE	TOLERANCE	TITLE:	DRAWN:	REV.:	DRAWING NO.:
A3	Uniformly arrange the drawings	ZSZ	2021.09.09	X.X ±0.30	MX2.0 DIP 180° Wafer	ZSZ 2021.09.09	A3	2000WVD101-B-S
A2	Change the part number and frame format	LJT	2020.04.29	X.XX ±0.20		CHECKED:		
				X.XXX ±0.10		APPROVED:		
				Angle ±2°	UNIT:mm	SCALE:N/A	SHEET:1/1	PROJECTION

KONNRA 东莞市康瑞电子有限公司
DongGuan Konnra Electronics Co.,Ltd.

PART NO.:C2000VD***19T0101BB

REV.:A3