

RoHS
COMPLIANT

SPECIFICATIONS

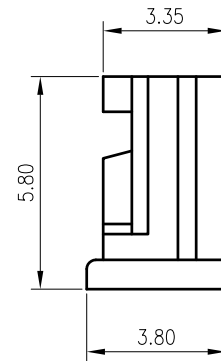
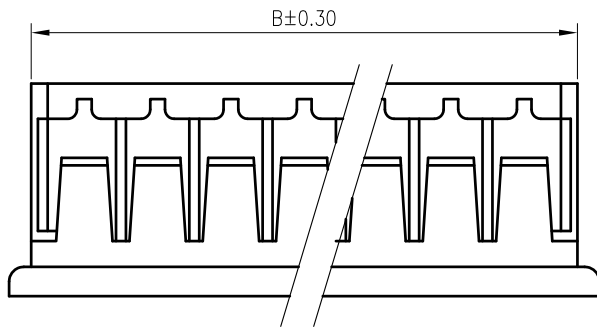
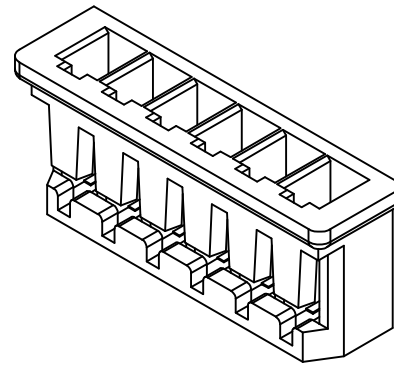
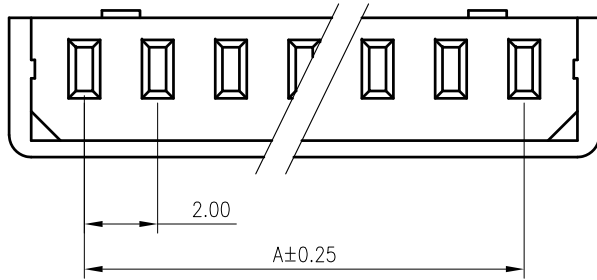
1. Current rating: 2A AC, DC
2. Voltage rating: 125V AC,DC
3. Temperature range: -40°C ~ +105°C
4. Insulation resistance: 1000MΩ Min.
5. Withstanding voltage: 800V AC/ minute.
6. Contact resistance: 20m Ω Max.

Material: PA66 UL 94V-0
 Suitable KR2000 series terminal
 Mate with KR2000 series wafer
 Ordering Code:

H20000 *** 01 01A

No.of Circuits
 102:2,115:15

Insulator Material
 01:PA66 White V0



Circuits	Dimension	
	A	B
2	2.00	4.90
3	4.00	6.90
4	6.00	8.90
5	8.00	10.90
6	10.00	12.90
7	12.00	14.90
8	14.00	16.90
9	16.00	18.90
10	18.00	20.90
11	20.00	22.90
12	22.00	24.90
13	24.00	26.90
14	26.00	28.90
15	28.00	30.90

MARK	REVISION DESCRIPTION	SIGNATURE	DATE	TOLERANCE	TITLE:	DRAWN:	REV.:	DRAWING NO.:
A3	Uniformly arrange the drawings	ZSZ	2021.09.09	X.X ±0.30	MX2.0 Housing	ZSZ 2021.09.09	A3	2000H101-A-S
A2	Change the part number and frame format	LJT	2020.04.29	X.XX ±0.20		CHECKED:		
				X.XXX ±0.10		APPROVED:		
				Angle ±2°	UNIT:mm	SCALE:N/A	SHEET:1/1	PROJECTION

KONNRA 东莞市康瑞电子有限公司
 DongGuan Konnra Electronics Co.,Ltd.

PART NO.: H20000***0101A

REV.: A3