

RoHS
COMPLIANT

SPECIFICATIONS

1. Current rating: 2A AC, DC
2. Voltage rating: 125V AC,DC
3. Temperature range: -40°C ~ +105°C
4. Insulation resistance: 1000MΩ Min.
5. Withstanding voltage: 800V AC/ minute.
6. Contact resistance: 20m Ω Max.

Material:

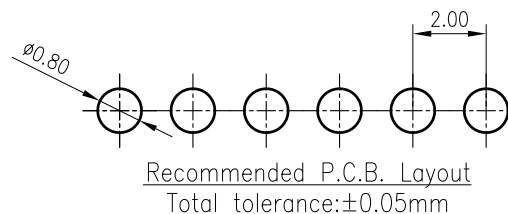
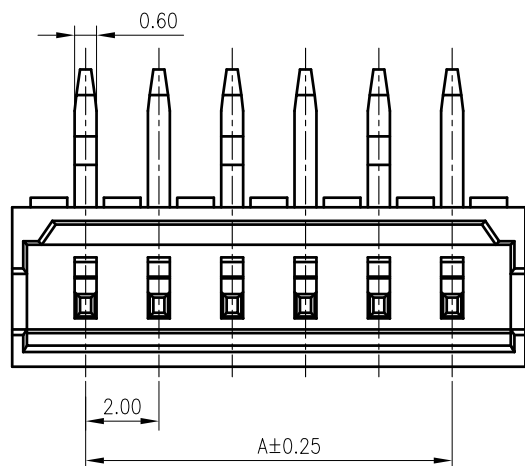
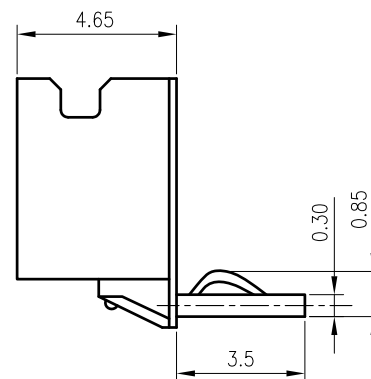
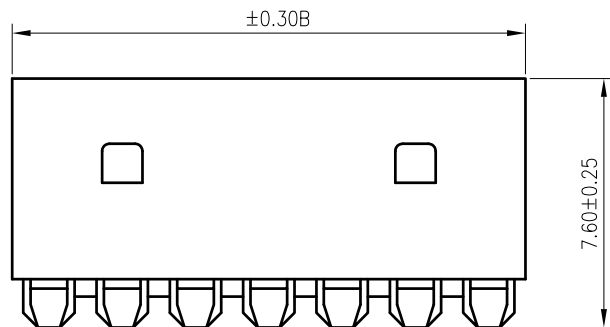
Insulator: Nylon 66 UL 94V-0
Contact: Brass
Plating: Tin plated over Nickel
Mate with KR2000 series Housing

Ordering Code:

C2000RD *** 22 T01 01 BB

No.of Circuits

102:2,115:15



Circuits	Dimensions	
	A	B
2	2.00	6.00
3	4.00	8.00
4	6.00	10.00
5	8.00	12.00
6	10.00	14.00
7	12.00	16.00
8	14.00	18.00
9	16.00	20.00
10	18.00	22.00
11	20.00	24.00
12	22.00	26.00
13	24.00	28.00
14	26.00	30.00
15	28.00	32.00

F		Uniformly arrange the drawings	ZSZ	2021.09.09	TOLERANCE X.X ±0.30 X.XX ±0.20 X.XXX ±0.10 Angle ±2°	TITLE: MX2.0 DIP 90° Wafer	DRAWN: ZSZ 2021.09.09		KONNRA 东莞市康瑞电子有限公司 DongGuan Konnra Electronics Co.,Ltd.			
		Change the part number and frame format	LJT	2020.04.29			CHECKED:					
	MARK		REVISION DESCRIPTION	SIGNATURE	DATE	UNIT:mm	SCALE:N/A	SHEET: 1/1		PROJECTION	REV.: A3	DRAWING NO.: 2000WRD101-B-S
	1	2	3	4	5	6	7	8	9			