

RoHS
COMPLIANT

SPECIFICATIONS

1. Current rating: 2A AC, DC
2. Voltage rating: 125V AC,DC
3. Temperature range: -40°C ~ +105°C
4. Insulation resistance: 1000MΩ Min.
5. Withstanding voltage: 800V AC/ minute.
6. Contact resistance: 20m Ω Max.

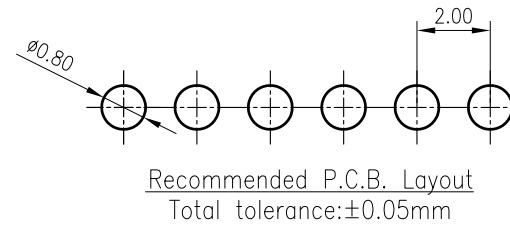
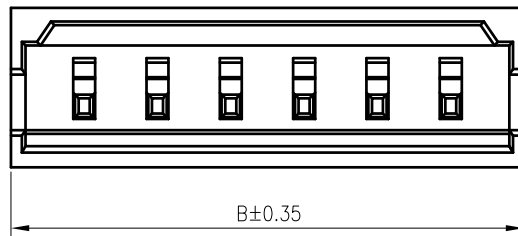
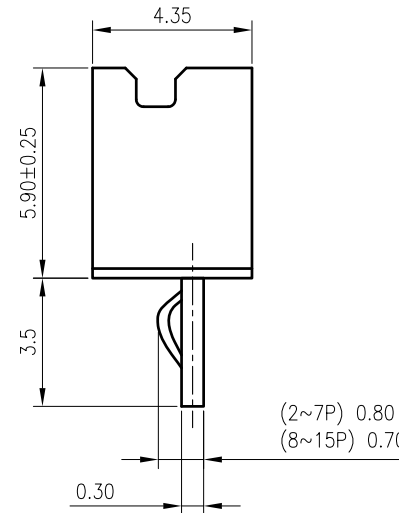
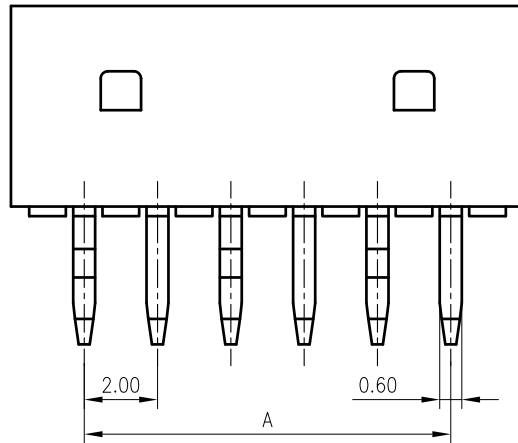
Material:

Insulator: Nylon 66 UL 94V-0
Contact: Brass
Plating: Tin plated over Nickel
Mate with KR2000 series Housing

Ordering Code:

C2000VD *** 22 T01 01 BB

No.of Circuits
102:2,115:15



Circuits	Dimensions	
	A	B
2	2.00	6.00
3	4.00	8.00
4	6.00	10.00
5	8.00	12.00
6	10.00	14.00
7	12.00	16.00
8	14.00	18.00
9	16.00	20.00
10	18.00	22.00
11	20.00	24.00
12	22.00	26.00
13	24.00	28.00
14	26.00	30.00
15	28.00	32.00

MARK	REVISION DESCRIPTION	SIGNATURE	DATE	TOLERANCE	TITLE:	DRAWN:	REV.:	DRAWING NO.:
A3	Uniformly arrange the drawings	ZSZ	2021.09.09	X.X ±0.30	MX2.0 DIP 180° Wafer	ZSZ 2021.09.09	A3	2000WVD101-B-S
A2	Change the part number and frame format	LJT	2020.04.29	X.XX ±0.20		CHECKED:		
				X.XXX ±0.10		APPROVED:		
				Angle ±2°	UNIT:mm	SCALE:N/A	SHEET:1/1	PROJECTION

KONNRA 东莞市康瑞电子有限公司
DongGuan Konnra Electronics Co.,Ltd.

PART NO.:C2000VD***19T0101BB

REV.:A3