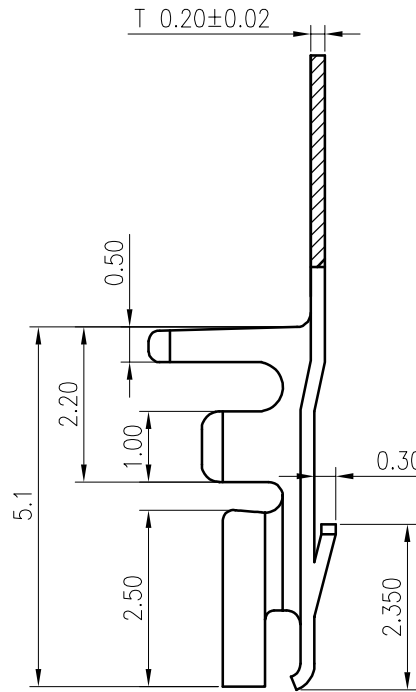
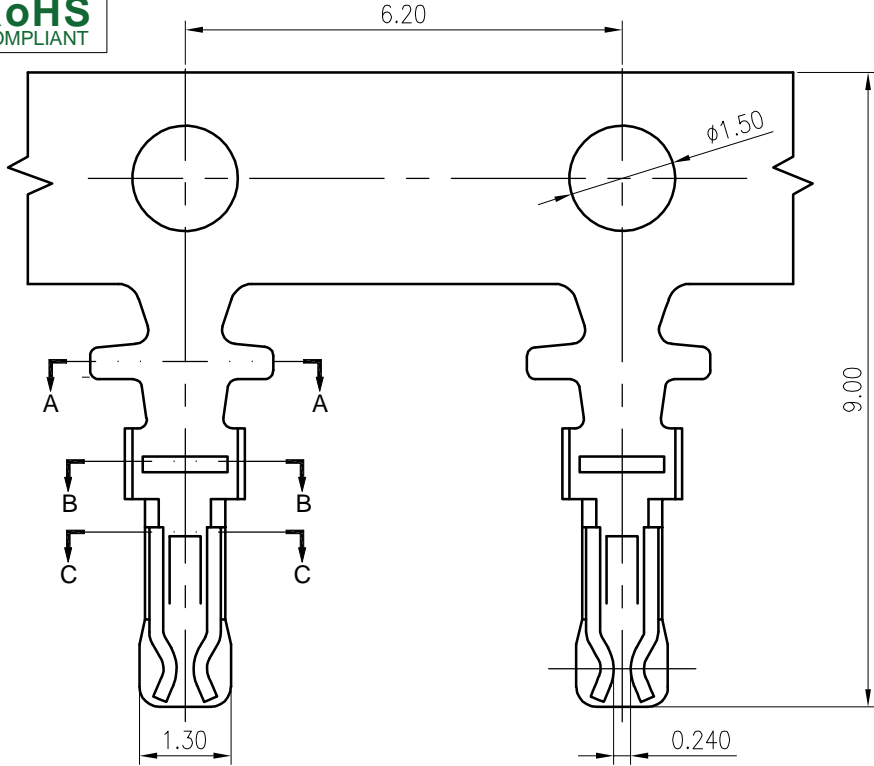


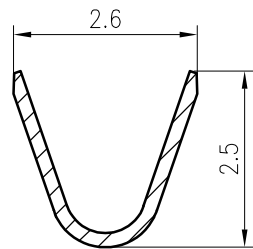
RoHS  
COMPLIANT



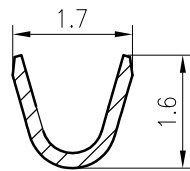
**SPECIFICATIONS**

1. Current rating: 3.2A AC, DC
2. Voltage rating: 250V AC, DC
3. Temperature range: -40°C ~ +105°C
4. Insulation resistance: 1000MΩ/ min.
5. Withstanding voltage: 1000V AC/ minute.
6. Contact resistance: 20mΩ/ max.

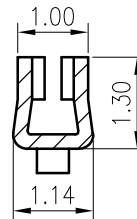
Material: Phosphor Bronze  
 Plating: Tin Plated over Nickel  
 Applicable wires: AWG #22-#26  
 Insulation O.D.: 1.30mm Max.  
 Suitable 1801 series Housing  
 Qty/reel: 8,000PCS



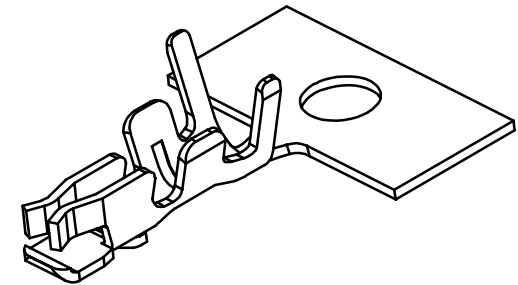
SECTION A-A



SECTION B-B



SECTION C-C



F	△4				<b>TOLERANCE</b> X. X ±0.30 X. XX ±0.20 X. XXX ±0.10 Angle ±2°	<b>TITLE:</b> 1.80mm Crimp Style Terminal	DRAWN: Arvin 2020.08.24		<b>KONNRA</b> 东莞市康瑞电子有限公司 DongGuan Konnra Electronics Co., Ltd.		
	△3						CHECKED:				
	△2	Change the part number and frame format	Arvin	2020.04.17			APPROVED:		PART NO.: T1801OPT0101A		
	MARK	REVISION DESCRIPTION	SIGNATURE	DATE			UNIT: mm	SCALE: N/A	SHEET: 1/1	PROJECTION	REV.: A2
	1	2	3	4	5	6	7	8	9		