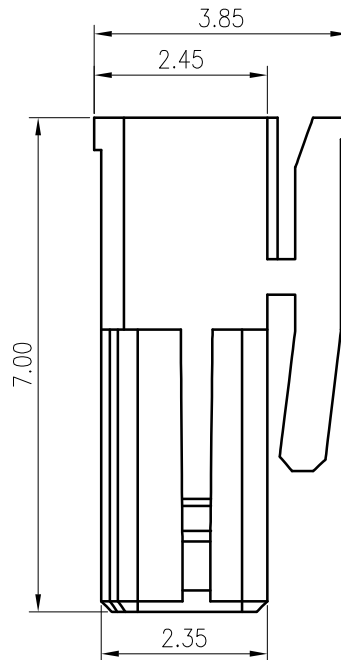
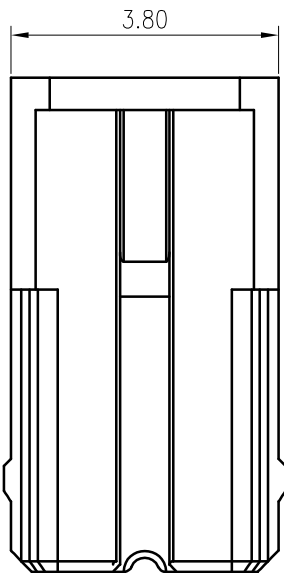
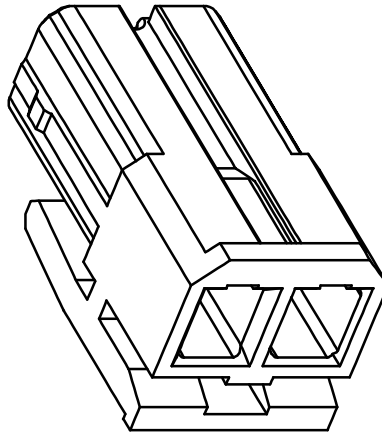
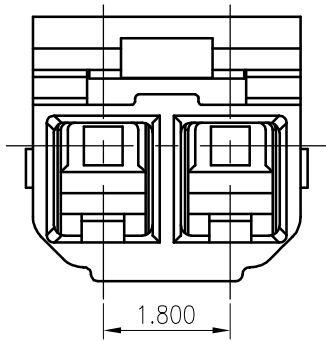


RoHS  
COMPLIANT



**SPECIFICATIONS**

1. Current rating: 3.2A AC, DC
2. Voltage rating: 250V AC, DC
3. Temperature range: -40°C ~ +105°C
4. Insulation resistance: 1000MΩ/ min.
5. Withstanding voltage: 1000V AC/ minute.
6. Contact resistance: 20mΩ/ max.

Material: PA66 UL94 V-0  
 Circuits: 2  
 Suitable KR1801 series terminal  
 Mate with KR1801 series wafer  
 Q'ty/Bag: 2,000PCS

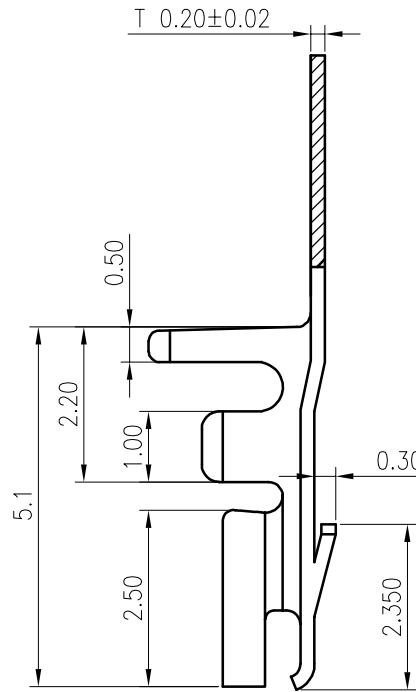
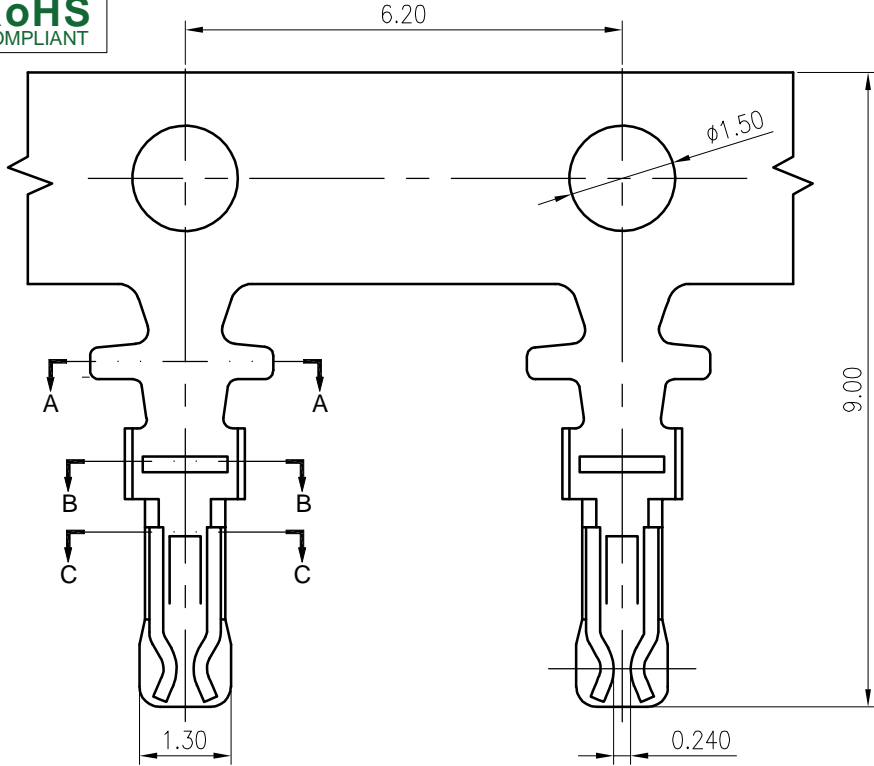
**Ordering Code:**

H18010 102 01 01A

No. of Circuits }  
 102: 02, 115: 15 }  
 Insulator Material }  
 01: PA66 White V0 }  
 02: PA66 Black V0 }

F					<b>TOLERANCE</b> X. X ±0.30 X. XX ±0.20 X. XXX ±0.10 Angle ±2°	<b>TITLE:</b> 1.80mm Crimp Style Housing	DRAWN: Arvin 2020.04.17		KONNRA 东莞市康瑞电子有限公司		
							CHECKED:		DongGuan Konnra Electronics Co., Ltd.		
		Change the part number and frame format	Arvin	2020.04.17			APPROVED:		PART NO. : H180101020101A		
	<b>MARK</b>	<b>REVISION DESCRIPTION</b>	<b>SIGNATURE</b>	<b>DATE</b>			<b>UNIT: mm</b>	<b>SCALE: N/A</b>	<b>SHEET: 1/1</b>	<b>PROJECTION</b>	<b>REV. : A2</b>
	1	2	3	4	5	6	7	8	9		

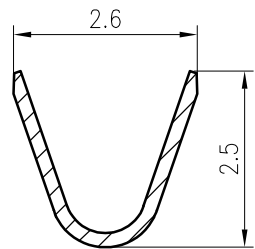
RoHS  
COMPLIANT



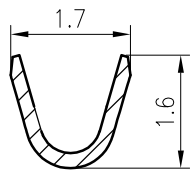
**SPECIFICATIONS**

1. Current rating: 3.2A AC, DC
2. Voltage rating: 250V AC, DC
3. Temperature range: -40°C ~ +105°C
4. Insulation resistance: 1000MΩ/ min.
5. Withstanding voltage: 1000V AC/ minute.
6. Contact resistance: 20mΩ/ max.

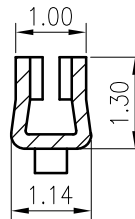
Material: Phosphor Bronze  
 Plating: Tin Plated over Nickel  
 Applicable wires: AWG #22-#26  
 Insulation O.D.: 1.30mm Max.  
 Suitable 1801 series Housing  
 Qty/reel: 8,000PCS



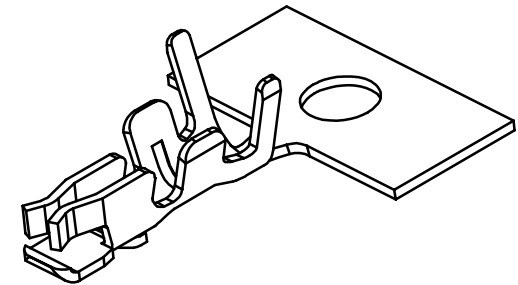
SECTION A-A



SECTION B-B

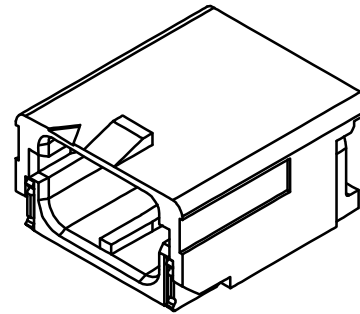
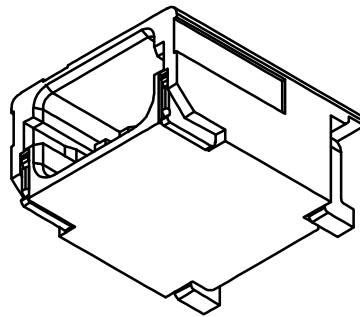
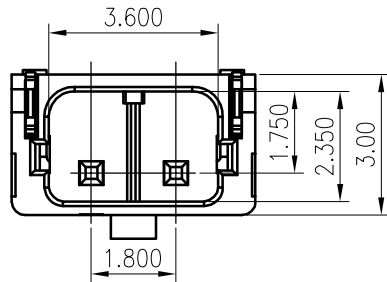


SECTION C-C



F					<b>TOLERANCE</b> X. X ±0.30 X. XX ±0.20 X. XXX ±0.10 Angle ±2°	<b>TITLE:</b> 1.80mm Crimp Style Terminal	DRAWN: Arvin 2020.08.24		KONNRA 东莞市康瑞电子有限公司	
							CHECKED:		DongGuan Konnra Electronics Co., Ltd.	
		Change the part number and frame format	Arvin	2020.04.17			APPROVED:		PART NO.: T1801OPT0101A	
	<b>MARK</b>	<b>REVISION DESCRIPTION</b>	<b>SIGNATURE</b>	<b>DATE</b>			<b>UNIT: mm</b>	<b>SCALE: N/A</b>	<b>SHEET: 1/1</b>	<b>PROJECTION</b>
	1	2	3	4	5	6	7	8	9	

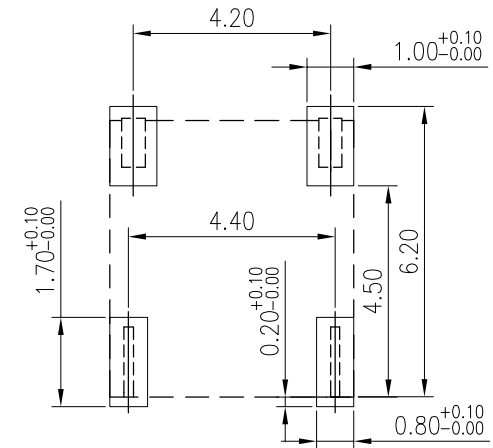
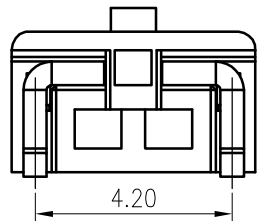
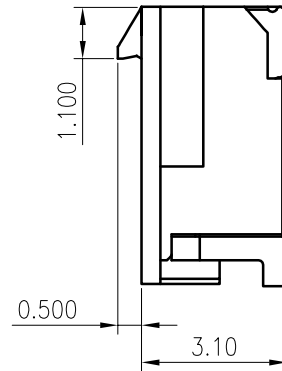
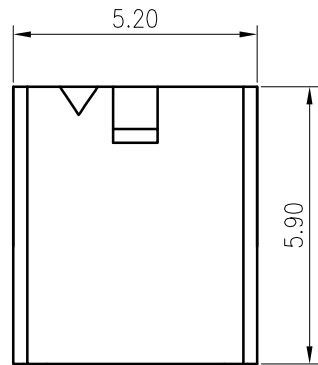
**RoHS**  
COMPLIANT



**SPECIFICATIONS**

1. Current rating: 3.2A AC, DC
2. Voltage rating: 250V AC, DC
3. Temperature range: -40°C ~ +105°C
4. Insulation resistance: 1000MΩ/ min.
5. Withstanding voltage: 1000V AC/ minute.
6. Contact resistance: 20mΩ/ max.

Material: Insulator: LCP UL 94V-0  
 Contact: Brass  
 Solder tabs: Brass  
 Plating: Matte tin plated over Nickel  
 Circuits: 2  
 Mate with KR1801 series housing  
 Q'ty/Reel: 1,000PCS



Recommended P.C.B. Layout  
 Total tolerance: ±0.05mm

F	△4				<b>TOLERANCE</b> X.X ±0.30 X.XX ±0.20 X.XXX ±0.10 Angle ±2°	<b>TITLE:</b> 1.80mm Crimp Style SMT 90° Wafer		DRAWN: Arvin 2020.04.17		<b>KONNRA</b> 东莞市康瑞电子有限公司 DongGuan Konnra Electronics Co., Ltd.			
	△3							CHECKED:					
	△2	Change the part number and frame format	Arvin	2020.04.17				APPROVED:				PART NO.: C1801RS10214T0101RA	
	MARK	REVISION DESCRIPTION	SIGNATURE	DATE				UNIT: mm	SCALE: N/A			SHEET: 1/1	PROJECTION
	1	2	3	4	5	6	7	8	9				