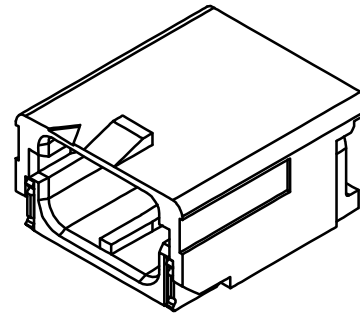
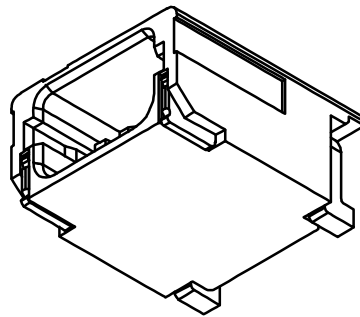
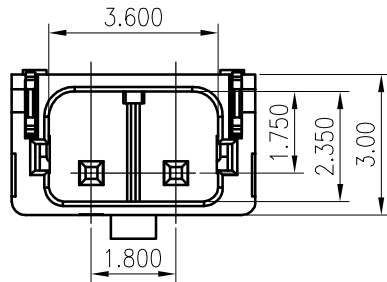


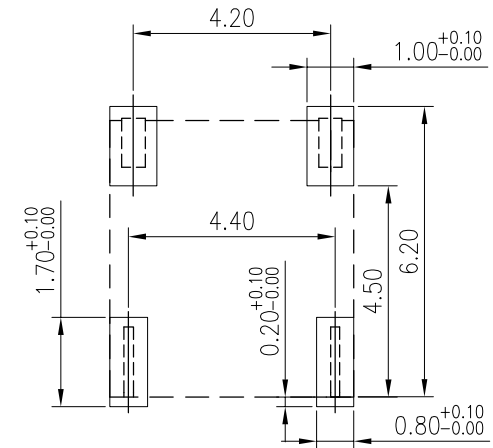
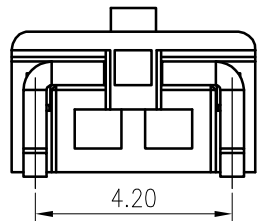
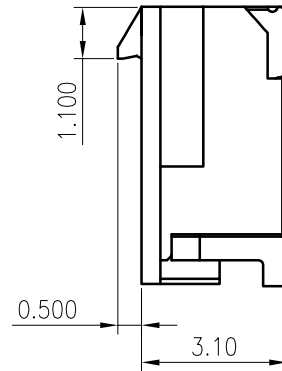
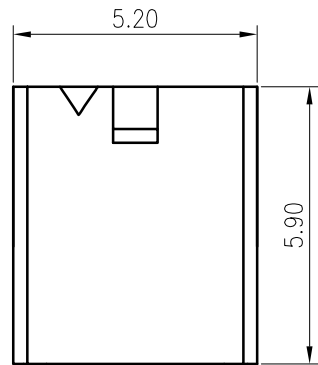
RoHS
COMPLIANT



SPECIFICATIONS

1. Current rating: 3.2A AC, DC
2. Voltage rating: 250V AC, DC
3. Temperature range: -40°C ~ +105°C
4. Insulation resistance: 1000MΩ/ min.
5. Withstanding voltage: 1000V AC/ minute.
6. Contact resistance: 20mΩ/ max.

Material: Insulator: LCP UL 94V-0
 Contact: Brass
 Solder tabs: Brass
 Plating: Matte tin plated over Nickel
 Circuits: 2
 Mate with KR1801 series housing
 Q'ty/Reel: 1,000PCS



Recommended P.C.B. Layout
 Total tolerance: ±0.05mm

F	△4				TOLERANCE X.X ±0.30 X.XX ±0.20 X.XXX ±0.10 Angle ±2°	TITLE: 1.80mm Crimp Style SMT 90° Wafer		DRAWN: Arvin 2020.04.17		KONNRA 东莞市康瑞电子有限公司 DongGuan Konnra Electronics Co., Ltd.			
	△3							CHECKED:					
	△2	Change the part number and frame format	Arvin	2020.04.17				APPROVED:				PART NO.: C1801RS10214T0101RA	
	MARK	REVISION DESCRIPTION	SIGNATURE	DATE				UNIT: mm	SCALE: N/A			SHEET: 1/1	PROJECTION
	1	2	3	4	5	6	7	8	9				