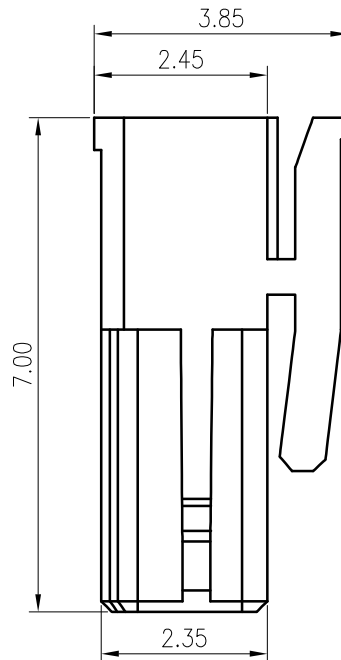
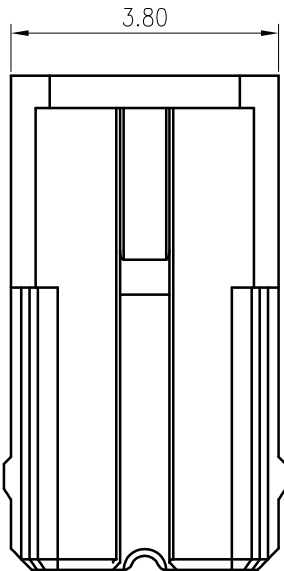
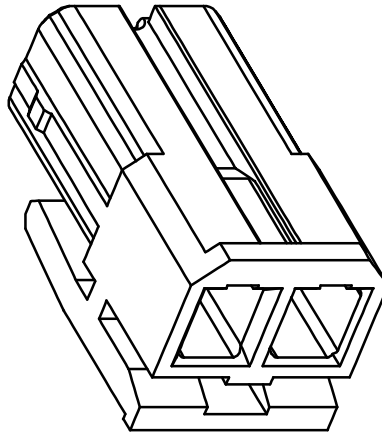
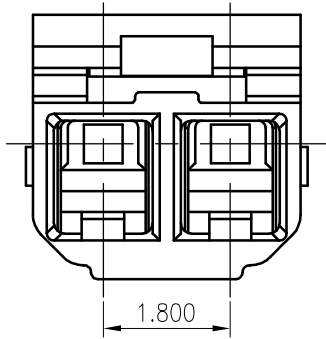


RoHS
COMPLIANT



SPECIFICATIONS

1. Current rating: 3.2A AC, DC
2. Voltage rating: 250V AC, DC
3. Temperature range: -40°C ~ +105°C
4. Insulation resistance: 1000MΩ/ min.
5. Withstanding voltage: 1000V AC/ minute.
6. Contact resistance: 20mΩ/ max.

Material: PA66 UL94 V-0
 Circuits: 2
 Suitable KR1801 series terminal
 Mate with KR1801 series wafer
 Q'ty/Bag: 2,000PCS

Ordering Code:

H18010 102 01 01A

No. of Circuits }
 102: 02, 115: 15 }
 Insulator Material }
 01: PA66 White V0 }
 02: PA66 Black V0 }

F					TOLERANCE X. X ±0.30 X. XX ±0.20 X. XXX ±0.10 Angle ±2°	TITLE: 1.80mm Crimp Style Housing	DRAWN: Arvin 2020.04.17		KONNRA 东莞市康瑞电子有限公司		
							CHECKED:		DongGuan Konnra Electronics Co., Ltd.		
		Change the part number and frame format	Arvin	2020.04.17			APPROVED:		PART NO. : H180101020101A		
	MARK	REVISION DESCRIPTION	SIGNATURE	DATE			UNIT: mm	SCALE: N/A	SHEET: 1/1	PROJECTION	REV. : A2
	1	2	3	4	5	6	7	8	9		