

**RoHS**  
COMPLIANT

**SPECIFICATIONS**

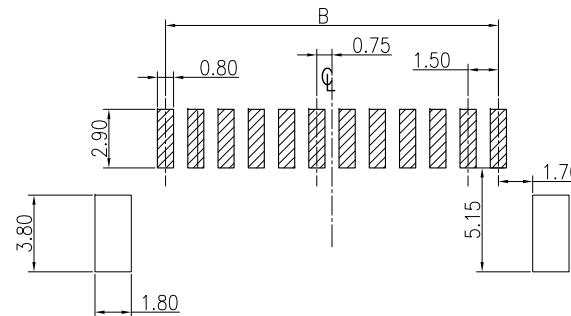
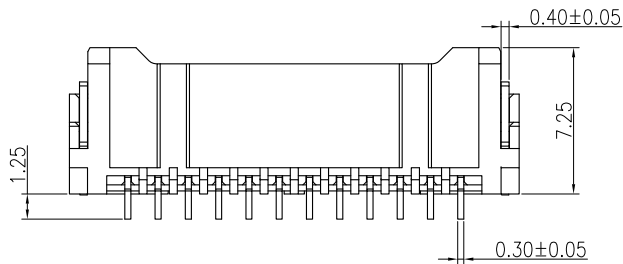
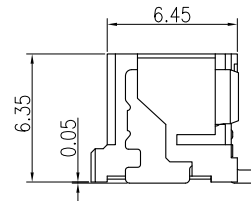
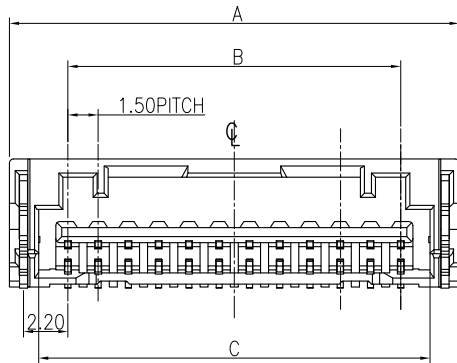
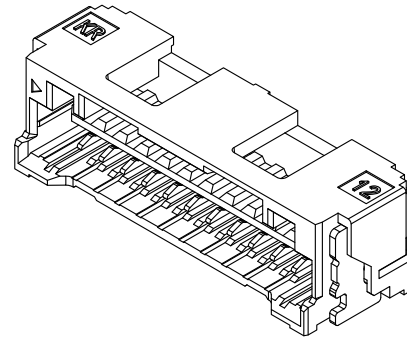
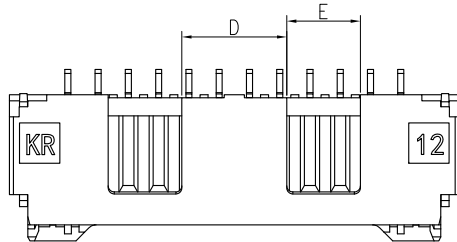
1. Current rating: 3A (AWG #24)AC, DC
2. Voltage rating: 100V AC,DC
3. Temperature range: -40°C ~ +105°C
4. Insulation resistance:500MΩ Min.
5. Withstanding voltage: 500V AC/ minute.
6. Contact resistance: 20mΩ Max..

**Material:**

Insulator: PA9T UL 94V-0  
 Pin: Phosphor bronze  
 Fitting Nail: Brass  
 Plating: Tin plated over Nickel  
 Mate with KR1507 series Housing

PART NO: C1507RS1\*\*11M0101RA

02: 2P  
 16: 16P  
 11:PA9T Natural  
 M01: Matte Tin  
 R: Reel  
 P: Bag



Recommended P.C.B. Layout

Total tolerance:±0.05mm

15P	26.80	21.00	23.90	5.20	3.65	
14P	25.30	19.50	22.40	5.20		
13P	23.80	18.00	20.90	5.20		
12P	22.30	16.50	19.40	5.20		
11P	20.80	15.00	17.90	5.20		
10P	19.30	13.50	16.40	3.20		
9P	17.80	12.00	14.90	3.20		
8P	16.30	10.50	13.40	2.50		3.25
7P	14.80	9.00	11.90	2.50		2.50
6P	13.30	7.50	10.40	2.30		2.15
5P	11.80	6.00	8.90	—	3.60	
4P	10.30	4.50	7.40	—	3.30	
3P	8.80	3.00	5.90	—	2.55	
2P	7.30	1.50	4.40	—	1.85	
PIN	A	B	C	D	E	

F		Uniformly arrange the drawings	Shen	2021.09.08	TOLERANCE X.X ±0.30 X.XX ±0.20 X.XXX ±0.10 Angle ±2°	TITLE: MX1.5 SMT 90° INNER BUCKLE WF	DRAWN: Shen 2021.09.28		<b>KONNRA</b> 东莞市康瑞电子有限公司 DongGuan Konnra Electronics Co.,Ltd.				
		Change the table	Arvin	2020.11.20			CHECKED:		PART NO.:C1507RS1**11M0101RA				
	MARK	REVISION DESCRIPTION	SIGNATURE	DATE			UNIT:mm	SCALE:1/1	SHEET:1/2	PROJECTION	REV.:A4	DRAWING NO.:1507WHS101-A-S	
	1	2	3	4			5	6	7	8	9		