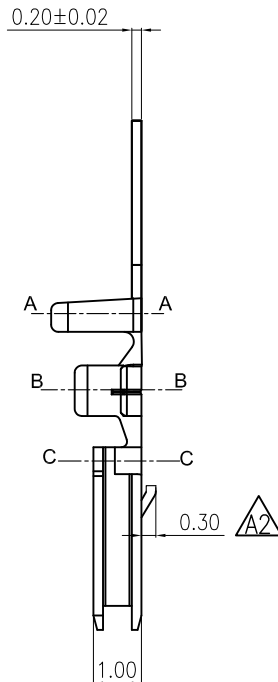
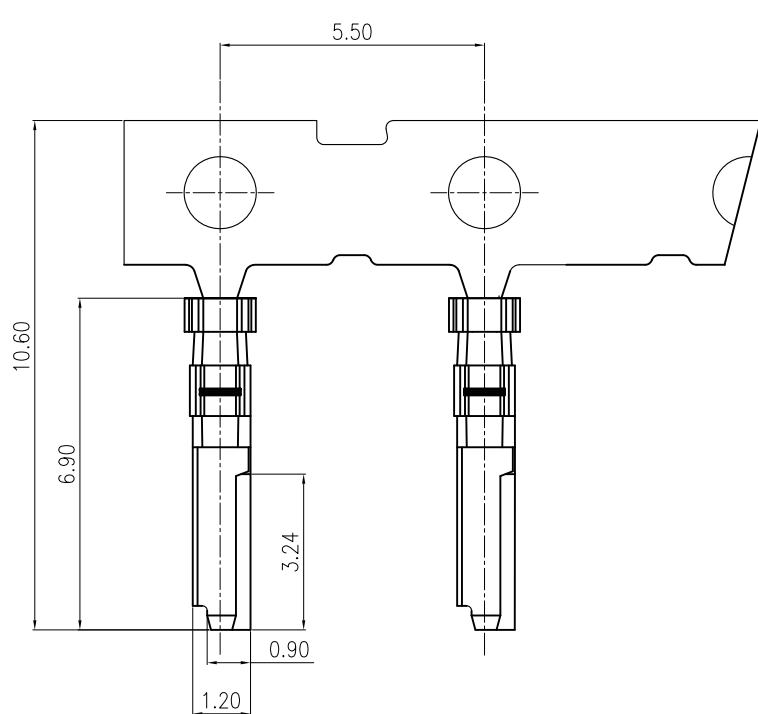


**RoHS**  
COMPLIANT

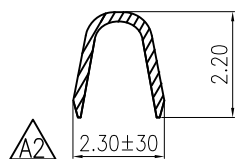


**SPECIFICATIONS**

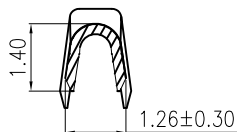
1. Current rating: 3A (AWG #24)AC, DC
2. Voltage rating: 100V AC,DC
3. Temperature range: -40°C ~ +105°C
4. Insulation resistance: 500MΩ Min.
5. Withstanding voltage: 500V AC/ minute.
6. Contact resistance: 20mΩ Max.



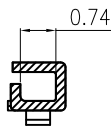
Material: Phosphor Bronze  
 Finish: TIN plated over Nickel  
 Applicable wires: AWG #24~#28  
 Insulation O.D 0.78~1.28 mm  
 Qty/reel: 10,000 PCS



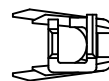
SECTION A-A



SECTION B-B



SECTION C-C



				TOLERANCE		TITLE:		DRAWN: Shen 2021.09.17		KONNRA 东莞市康瑞电子有限公司	
A3		Uniformly arrange the drawings	Shen	2021.09.17	X.X ±0.30	MX1.5 Inner buckle Terminal		CHECKED:		DongGuan Konnra Electronics CO.,LTD	
A2		Change the part number and frame format	Arvin	2020.11.20	X.XX ±0.20			APPROVED:		PART NO.: T15070PT0101A	
LTR		REVISION DESCRIPTION	SIGNATURE	DATE	X.XXX ±0.10	UNIT:mm SCALE: 1/1		SHEET: 1/1 PROJECTION		VER.: A3 DRAWING NO.: 1507T101-A-S	
1		2		3		4		5		6	
7		8		9							