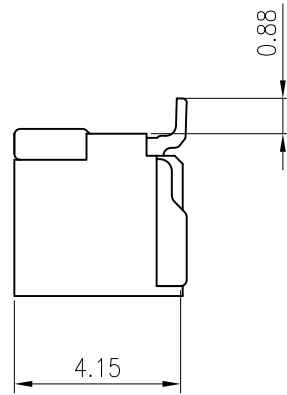
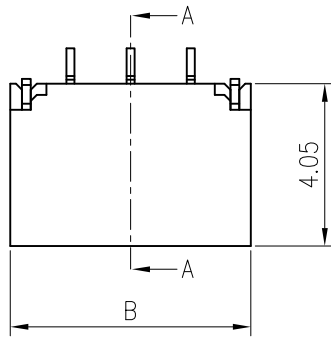


RoHS  
COMPLIANT




**SPECIFICATIONS**

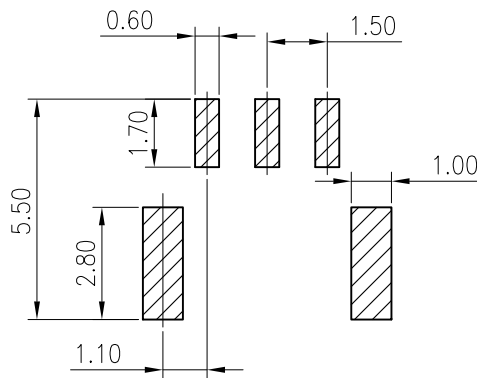
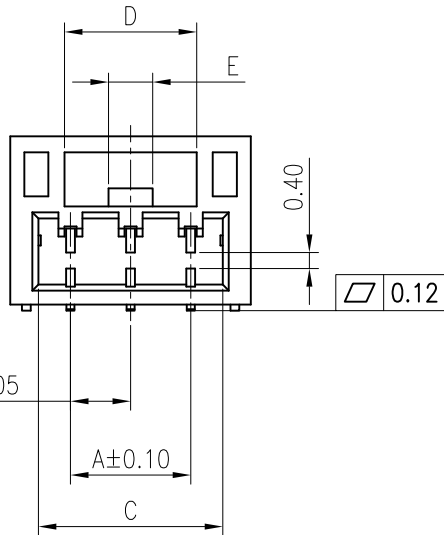
Current rating: 1A AC, DC  
Voltage rating: 50V AC, DC  
Temperature range: -40°C ~ +105°C  
Insulation resistance: 100MΩ/ min.  
Withstanding voltage: 500V AC/ minute.  
Contact resistance: 30mΩ/ max.

**Material:**

Insulator: PA9T or LCP UL94V-0  
Contact: copper alloy  
Finish: Matte-tin plated  
Mate with KR1506 series housing



**Ordering Code:**

C1506VS \*\*\*11M0101RA   
102: 2P  
106: 6P  
11: PA9T Natural  
13: LCP Natural  
M01: Matte-tin plated



Recommended P.C.B. Layout  
Total tolerance: ±0.05mm

6P	7.50	10.90	9.50	6.55	4.35
5P	6.00	9.40	8.00	4.55	2.35
4P	4.50	7.90	6.50	3.45	1.60
3P	3.00	6.00	4.60	3.45	1.60
2P	1.50	4.50	3.10	2.20	0.80
PIN数	A	B	C	D	E

F		Uniformly arrange the drawings	Shen	2021.9.17	TOLERANCE X.X ±0.30 X.XX ±0.20 X.XXX ±0.10 Angle ±2°	TITLE: GH1.5 SMT 90° WAFER	DRAWN: Shen 2021.09.17		KONNRA 东莞市康瑞电子有限公司			
		Change the part number and frame format	Ru yi	2020.3.10			CHECKED:		DongGuan Konnra Electronics Co.,Ltd.			
	MARK	REVISION DESCRIPTION	SIGNATURE	DATE	APPROVED:		PART NO.: C1506RS1****M0101RA					
	1	2	3	4	5	6	7	8	9	REV.: A3		DRAWING NO.: 1506WHS01-A-S