

RoHS
COMPLIANT

◆ SPECIFICATIONS

- Current rating: 1A AC, DC
- Voltage rating: 100V AC, DC
- Temperature range: -40°C ~ +105°C
- Insulation resistance: 500MΩ Min.
- Withstanding voltage: 500V AC/ minute.
- Contact resistance: 20mΩ Max.

Material:

Insulator: Nylon 9T UL 94V-0

Contact: Brass

Plating: Tin plated over Nickel

Mate with KR1501 series housing

Ordering Code:

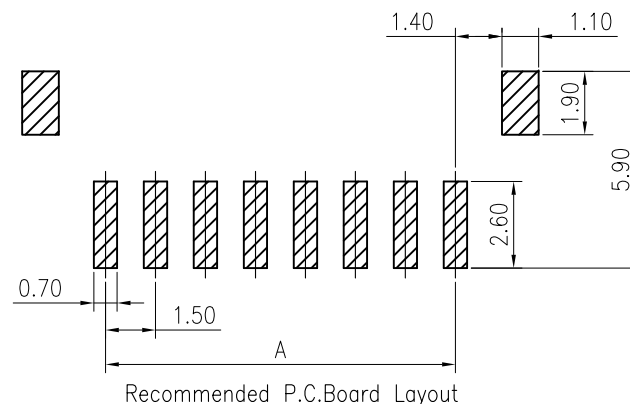
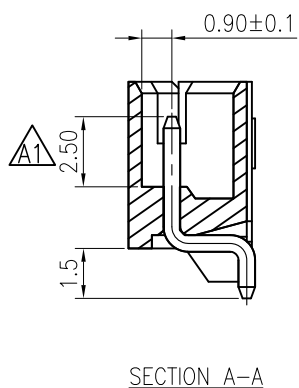
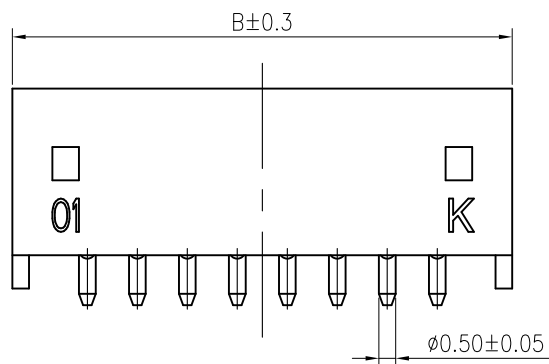
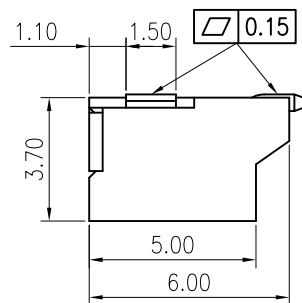
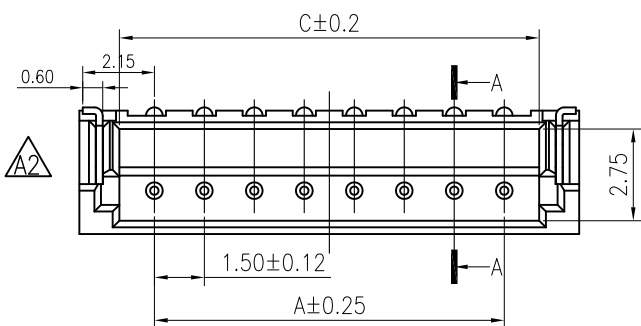
C1501RS *** ** M0101RA

No. of Circuits

102:2,116:16

11:PA9T Natural

12:PA9T Black



CKT.	A	B	C
2	1.50	6.00	3.60
3	3.00	7.50	5.10
4	4.50	9.00	6.60
5	6.00	10.50	8.10
6	7.50	12.00	9.60
7	9.00	13.50	11.10
8	10.50	15.00	12.60
9	12.00	16.50	14.10
10	13.50	18.00	15.60
11	15.00	19.50	17.10
12	16.50	21.00	18.60
13	18.00	22.50	20.10
14	19.50	24.00	21.60
15	21.00	25.50	23.10
16	22.50	27.00	24.60

MARK	REVISION	DESCRIPTION	SIGNATURE	DATE	TOLERANCE	TITLE:	DRAWN:	KONNRA 东莞市康瑞电子有限公司 DongGuan Konnra Electronics Co.,Ltd.		
A4	1	Uniformly arrange the drawings	Shen	2021.09.22	X.X ±0.30	ZH1.5 SMT 90° WF PiN Length 2.5	Shen 2021.09.22	PART NO.: C1501RS*****M0101RA		
A3	2	Change the part number and frame format	TLX	2020.03.20	X.XX ±0.20		CHECKED:			
					X.XXX ±0.10		APPROVED:	REV.: A4 DRAWING NO.: 1501WHS101-A-S		
					Angle ±3°	UNIT:mm	SCALE: 1/1	SHEET: 1/1	PROJECTION	