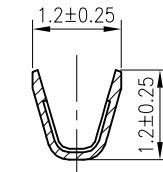
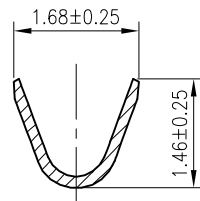
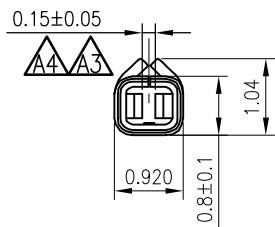
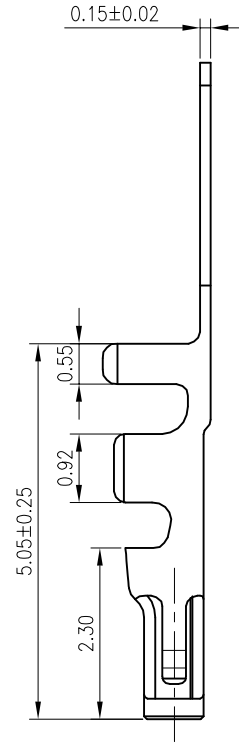
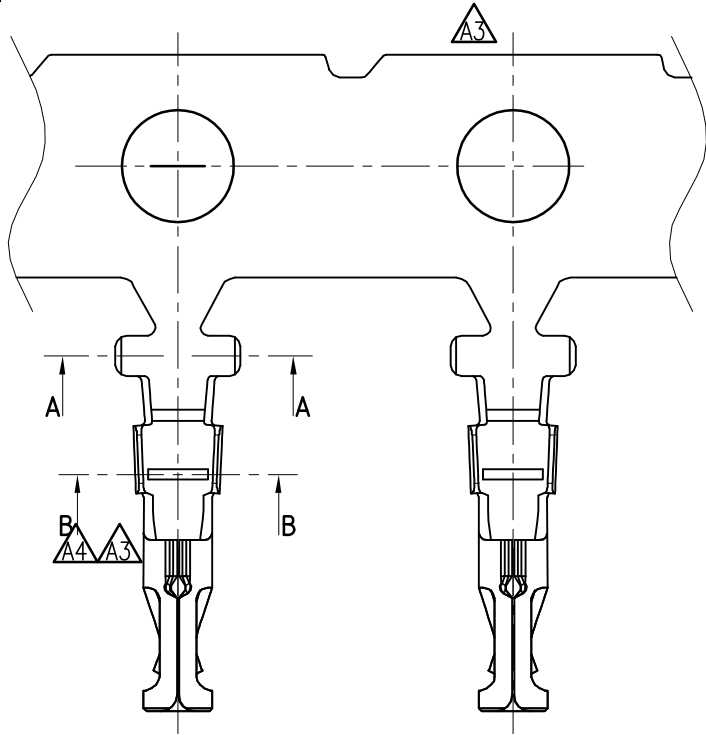


RoHS
COMPLIANT



SECTION:A-A

SECTION:B-B

SPECIFICATIONS

1. Current rating: 1A AC, DC
2. Voltage rating: 150V AC,DC
3. Temperature range: -40°C ~ +105°C
4. Insulation resistance: 500MΩ Min.
5. Withstanding voltage: 500V AC/ minute.
6. Contact resistance: 30mΩ Max.

Applicable Wires:

AWG#28~#32

Insulation O.D. : 0.90mm MAX

Material: Phosphor Bronze

Plating: Tin plated over nickel

Suitable KR1258 series housing

Q'ty/Reel: 15,000 PCS

F					TOLERANCE X. X ±0.30 X. XX ±0.20 X. XXX ±0.10 Angle ±2°	TITLE: DF14 Have buckle Terminal	DRAWN: Liujingtian 2020.4.24		KONNRA 东莞市康瑞电子有限公司 DongGuan Konnra Electronics Co., Ltd.
		Correct view	Arvin	2022.01.20			CHECKED:		
		Correct view and Modify Dimension	Arvin	2020.07.08			APPROVED:		
	MARK	REVISION DESCRIPTION	SIGNATURE	DATE			UNIT: mm	SCALE: N/A	
	1	2	3	4	5	6	7	8	9