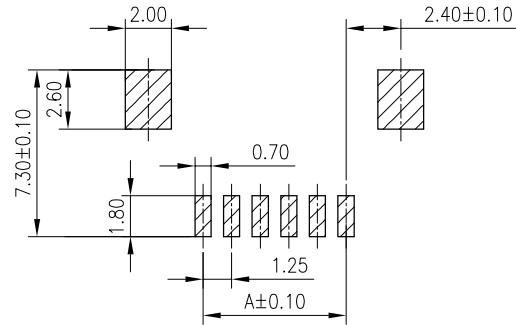
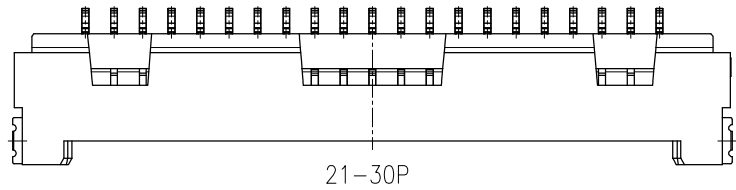
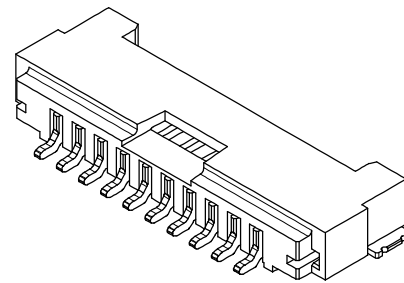
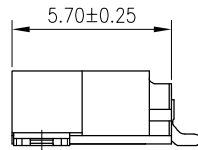
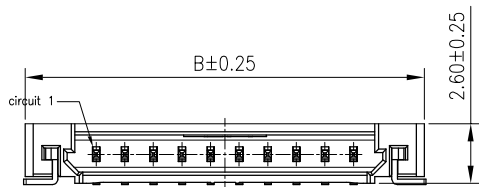
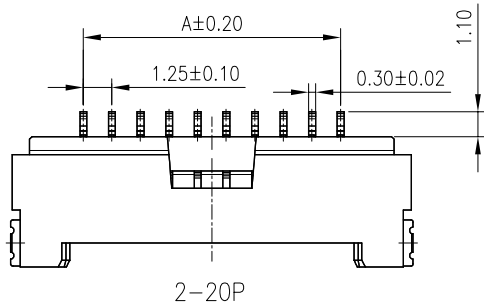


**RoHS**  
COMPLIANT



Recommended P.C.B. Layout  
Total tolerance: ±0.05mm



**SPECIFICATIONS**

1. Current rating: 1A AC, DC
2. Voltage rating: 150V AC, DC
3. Temperature range: -40°C ~ +105°C
4. Insulation resistance: 500MΩ Min.
5. Withstanding voltage: 500V AC/ minute.
6. Contact resistance: 30m Ω Max.

**Material:**

Insulator: Nylon 6T UL 94V-0

Contact: Brass

Plating: Tin plated over Nickel

Mate with KR1258 series Housing

**Ordering Code:**

C1258RS \*\*\* 09 M01 01 RB

No. of Circuits  102:2,130:30

Plating:  
M01:Matte tin plated  
G01:Gold flash

| Circuits | Dimensions |       |
|----------|------------|-------|
|          | A          | B     |
| 2        | 1.25       | 7.45  |
| 3        | 2.50       | 8.70  |
| 4        | 3.75       | 9.95  |
| 5        | 5.00       | 11.20 |
| 6        | 6.25       | 12.45 |
| 7        | 7.50       | 13.70 |
| 8        | 8.75       | 14.95 |
| 9        | 10.00      | 16.20 |
| 10       | 11.25      | 17.45 |
| 11       | 12.50      | 18.70 |
| 12       | 13.75      | 19.95 |
| 13       | 15.00      | 21.20 |
| 14       | 16.25      | 22.45 |
| 15       | 17.50      | 23.70 |
| 20       | 23.75      | 29.95 |
| 25       | 30.00      | 36.20 |
| 30       | 36.25      | 42.45 |



MARK

1

2

3

4

5

6

7

8

9

**TOLERANCE**

X. X ±0.30  
X. XX ±0.20  
X. XXX ±0.10  
Angle ±2°

**TITLE:**

DF14 Have buckle SMT  
90° Wafer

UNIT: mm

SCALE: N/A

DRAWN: Arvin 2020.07.07

CHECKED:

APPROVED:

SHEET: 1/1

PROJECTION

**KONNRA** 东莞市康瑞电子有限公司

DongGuan Konnra Electronics Co., Ltd.

PART NO. : C1258RS\*\*\*09\*\*\*01RB

REV. : A1

DRAWING NO. : 1258WRS101-B-S