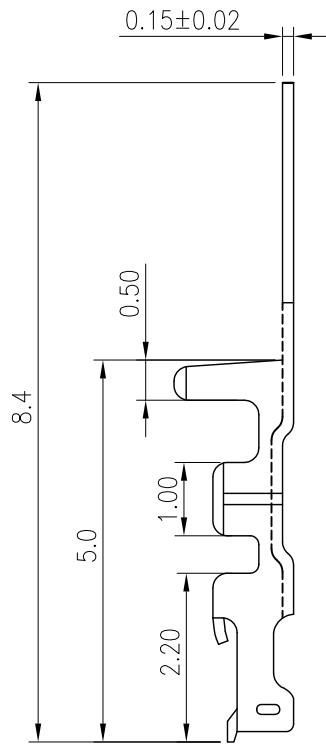
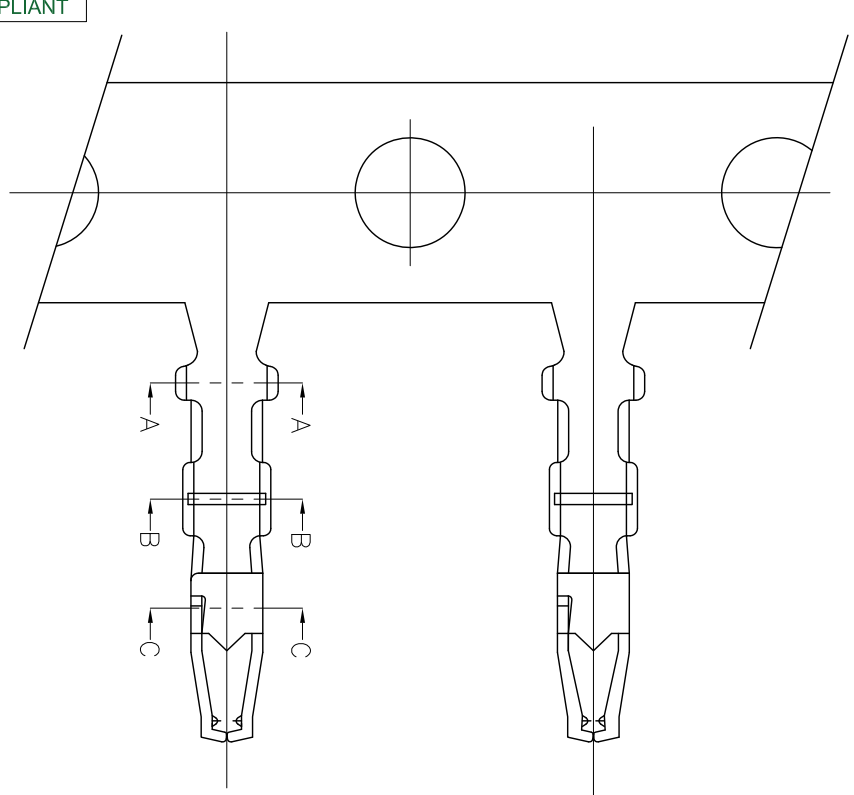


RoHS
COMPLIANT



SPECIFICATIONS

1. Current rating: 1A AC, DC
2. Voltage rating: 150V AC,DC
3. Temperature range: -40°C ~ +105°C
4. Insulation resistance: 500MΩ Min.
5. Withstanding voltage: 500V AC/ minute.
6. Contact resistance: 30mΩ Max.

Applicable Wires:

AWG#26~#32

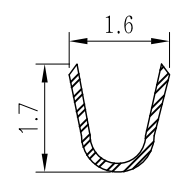
Insulation O.D. : 1.00mm MAX

Material: Phosphor Bronze

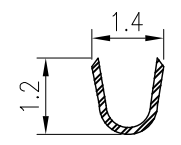
Finish: Tin-Plated

Suitable KR1255 series housing

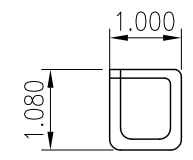
Q'ty/Reel: 10,000 PCS



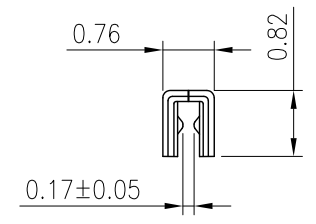
SECTION A-A



SECTION B-B



SECTION C-C



F	MARK	REVISION DESCRIPTION	SIGNATURE	DATE	TOLERANCE X.X ±0.30 X.XX ±0.20 X.XXX ±0.10 Angle ±2°	TITLE: DF14 Terminal B Type	DRAWN: Shen 2021.8.30		KONNRA 东莞市康瑞电子有限公司 DongGuan Konnra Electronics Co.,Ltd.		
		Uniformly arrange the drawings	Shen	2021.08.30			CHECKED:				
		Change the part number and frame format	LJT	2020.03.30			APPROVED:		PART NO.: T12550PT0101B		
							UNIT:mm	SCALE:1/1	SHEET:1/1	PROJECTION	REV.:A3