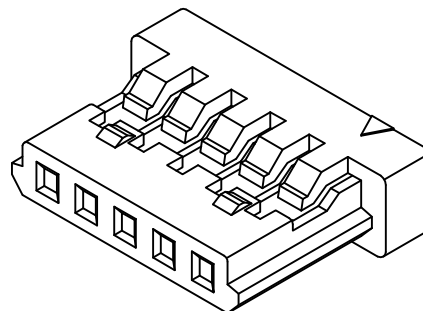
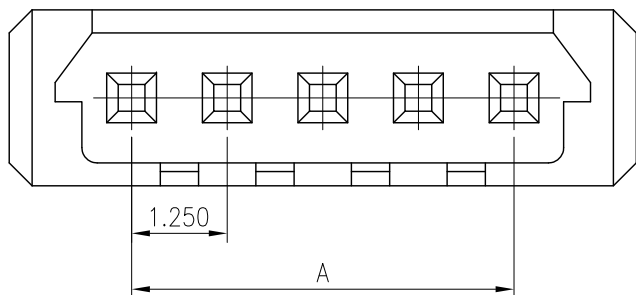


RoHS
COMPLIANT



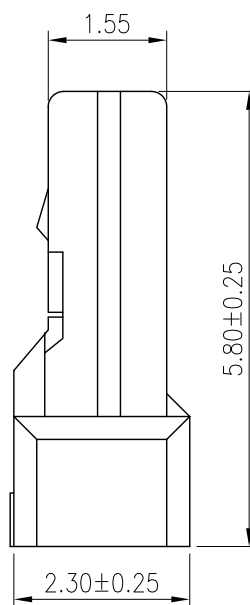
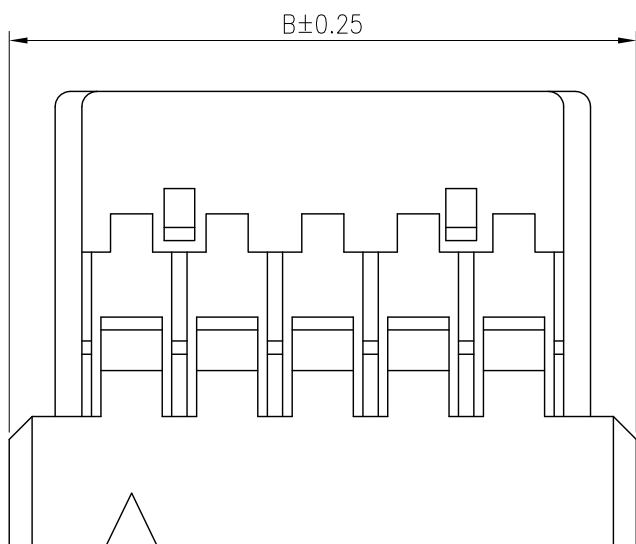
SPECIFICATIONS

1. Current rating: 1A AC, DC
2. Voltage rating: 150V AC, DC
3. Temperature range: -40°C ~ +105°C
4. Insulation resistance: 500MΩ Min.
5. Withstanding voltage: 500V AC/ minute.
6. Contact resistance: 30mΩ Max.

Material: PA66 UL 94V-0
Suitable KR1255 series terminal
Mate with KR1255 series wafer

Ordering Code:

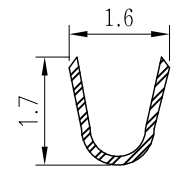
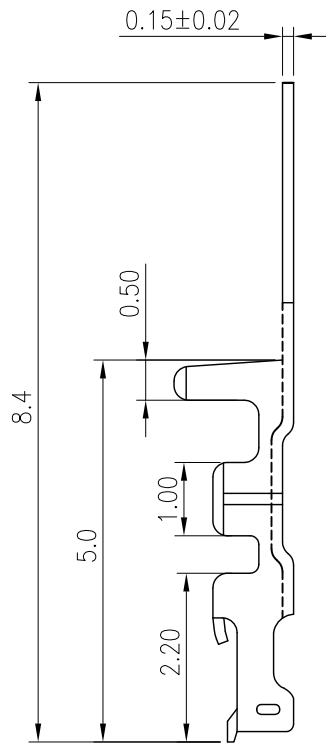
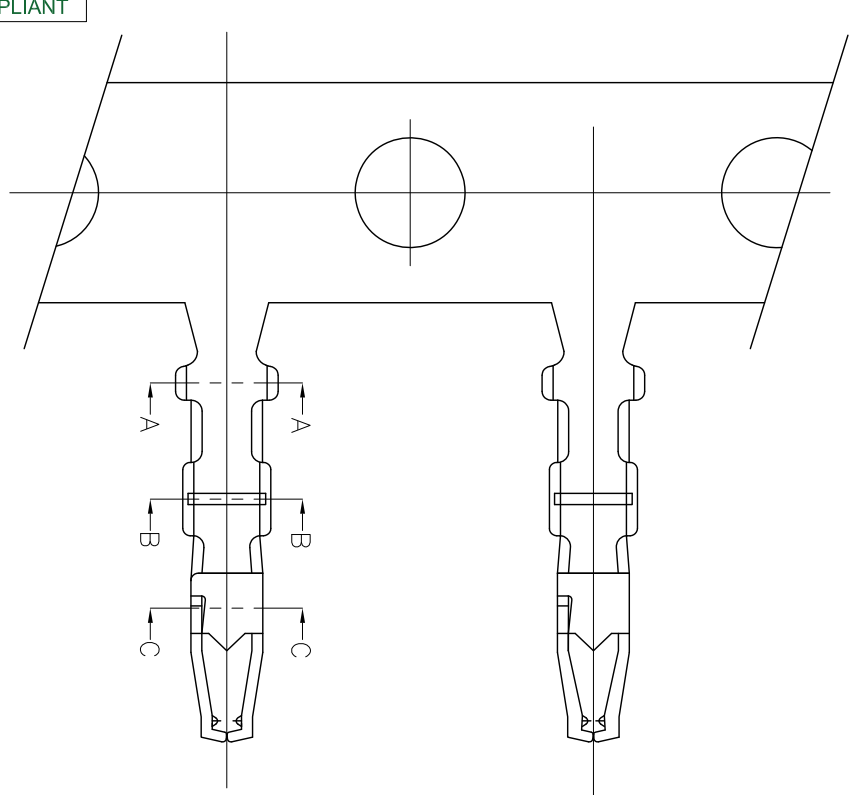
$\triangle A_2$ H12550 *** 19 01C
No. of Circuits $\left\{ \begin{array}{l} 102:2, 130:30 \end{array} \right.$
Insulator Material
19:PA66 Grey V0



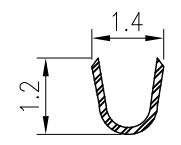
Circuits	Dimensions		Circuits	Dimensions	
	A	B		A	B
2	1.25	4.50	11	12.50	15.75
3	2.50	5.75	12	13.75	17.00
4	3.75	7.00	13	15.00	18.25
5	5.00	8.25	14	16.25	19.50
6	6.25	9.50	15	17.50	20.75
7	7.50	10.75	20	23.75	27.00
8	8.75	12.00	25	30.00	33.25
9	10.00	13.25	30	36.25	39.50
10	11.25	14.50			

MARK	REVISION	DESCRIPTION	SIGNATURE	DATE	TOLERANCE	TITLE:	DRAWN:	CHECKED:	APPROVED:	REV.:	DRAWING NO.:
	1	Uniformly arrange the drawings	Shen	2021.08.30	X.X ±0.30	DF14 Housing	Shen 2021. 8. 30				KONNRA 东莞市康瑞电子有限公司 DongGuan Konnra Electronics Co.,Ltd. PART NO.:H12550***1901C DRAWING NO.:1255H101-C-S
	2	Change the part number and frame format	LJT	2020.03.30	X.XX ±0.20						
	3				X.XXX ±0.10						
	4				Angle ±2°	UNIT:mm	SCALE:1/1	SHEET:1/1	PROJECTION		

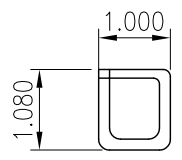
RoHS
COMPLIANT



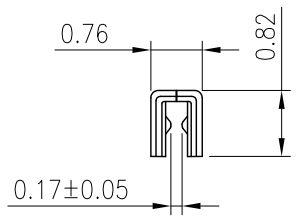
SECTION A-A



SECTION B-B



SECTION C-C



SPECIFICATIONS

1. Current rating: 1A AC, DC
2. Voltage rating: 150V AC,DC
3. Temperature range: -40°C ~ +105°C
4. Insulation resistance: 500MΩ Min.
5. Withstanding voltage: 500V AC/ minute.
6. Contact resistance: 30mΩ Max.

Applicable Wires:

AWG#26~#32

Insulation O.D. : 1.00mm MAX

Material: Phosphor Bronze

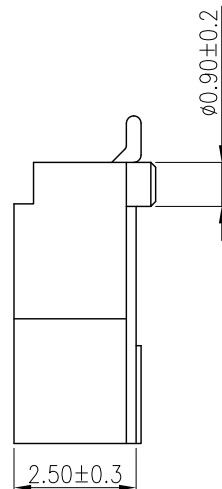
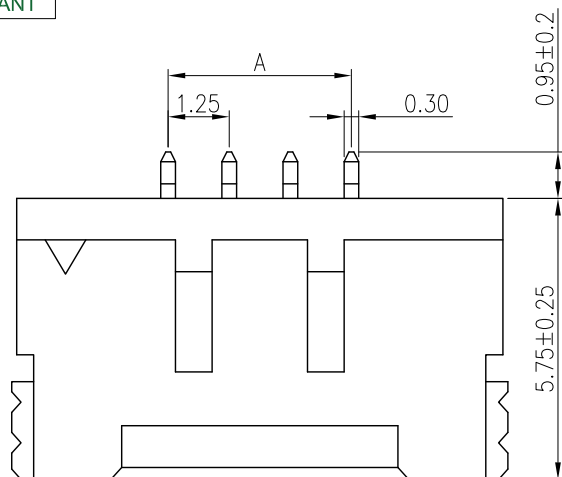
Finish: Tin-Plated

Suitable KR1255 series housing

Q'ty/Reel: 10,000 PCS

F	MARK	REVISION DESCRIPTION	SIGNATURE	DATE	TOLERANCE	TITLE:	DRAWN:	KONNRA 东莞市康瑞电子有限公司 DongGuan Konnra Electronics Co.,Ltd.			
		Uniformly arrange the drawings	Shen	2021.08.30	X.X ±0.30	DF14 Terminal B Type	Shen 2021.8.30		CHECKED:		
		Change the part number and frame format	LJT	2020.03.30	X.XX ±0.20				APPROVED:		
					X.XXX ±0.10					PART NO.: T12550PT0101B	
					Angle ±2°	UNIT:mm	SCALE: 1/1	SHEET: 1/1	PROJECTION	REV.: A3	DRAWING NO.: 1255T101-B-S

RoHS
COMPLIANT



SPECIFICATIONS

1. Current rating: 1A AC, DC
2. Voltage rating: 150V AC,DC
3. Temperature range: -40°C ~ +105°C
4. Insulation resistance: 500MΩ Min.
5. Withstanding voltage: 500V AC/ minute.
6. Contact resistance: 30m Ω Max.

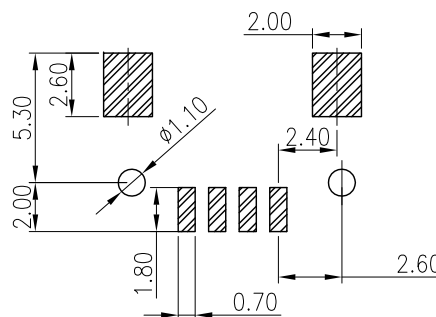
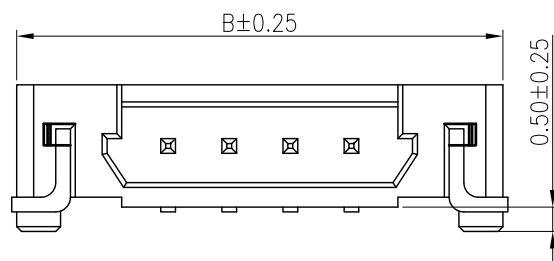
Material:

Insulator: Nylon 6T UL 94V-0
Contact: Brass
Plating: Tin plated over Nickel
Mate with KR1255 series Housing

A2 C1255RS *** 09 M01 01 RA

No.of Circuits
102:2,130:30

Other:
01: Have columns
02: No column



Recommended P.C.B. Layout
Total tolerance:±0.05mm
SCALE 1:2

Circuits	Dimensions		Circuits	Dimensions	
	A	B		A	B
2	1.25	7.45	11	12.50	18.70
3	2.50	8.70	12	13.75	19.95
4	3.75	9.95	13	15.00	21.20
5	5.00	11.20	14	16.25	22.45
6	6.25	12.45	15	17.50	23.70
7	7.50	13.70	20	23.75	29.95
8	8.75	14.95	25	30.00	36.20
9	10.00	16.20	30	36.25	42.45
10	11.25	17.45			

MARK	REVISION	DESCRIPTION	SIGNATURE	DATE	TOLERANCE	TITLE:	DRAWN:	CHECKED:	APPROVED:	REV.:	DRAWING NO.:
A4	1	Uniformly arrange the drawings	Shen	2021.08.30	X.X ±0.30	DF14 SMT 90° Wafer	Shen 2021.8.30			A4	KONNRA 东莞市康瑞电子有限公司 DongGuan Konnra Electronics Co.,Ltd. PART NO.:C1255RS***09M0101RA DRAWING NO.:1255WRS101-A-S
A3	2	Change the part number and frame format	LJT	2020.03.30	X.XX ±0.20						
	3				X.XXX ±0.10						
					Angle ±2°	UNIT:mm	SCALE:1/1	SHEET:1/1	PROJECTION		