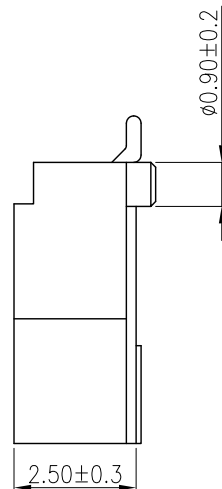
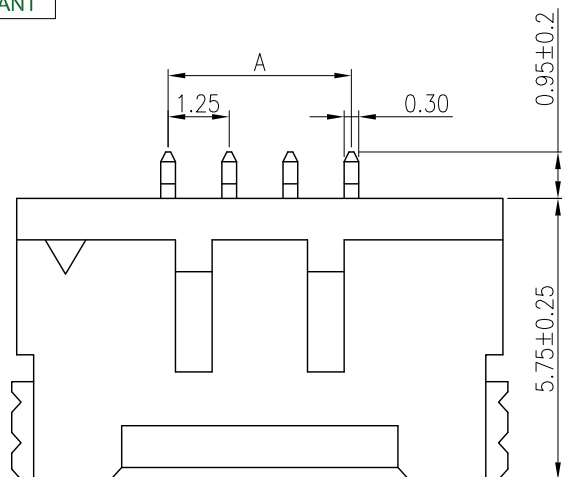


**RoHS**  
COMPLIANT



**SPECIFICATIONS**

1. Current rating: 1A AC, DC
2. Voltage rating: 150V AC, DC
3. Temperature range:  $-40^{\circ}\text{C} \sim +105^{\circ}\text{C}$
4. Insulation resistance: 500M $\Omega$  Min.
5. Withstanding voltage: 500V AC/ minute.
6. Contact resistance: 30m  $\Omega$  Max.

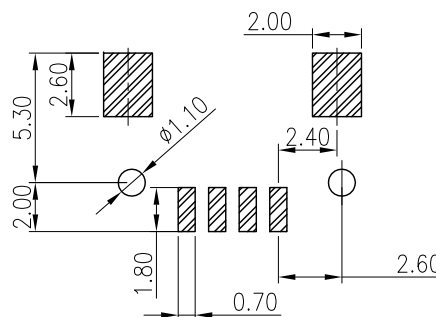
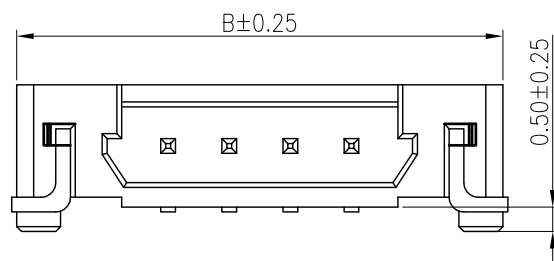
**Material:**

Insulator: Nylon 6T UL 94V-0  
Contact: Brass  
Plating: Tin plated over Nickel  
Mate with KR1255 series Housing

$\triangle A2$  C1255RS \*\*\* 09 M01 01 RA

No. of Circuits  
102:2,130:30

Other:  
01: Have columns  
02: No column



Recommended P.C.B. Layout  
Total tolerance:  $\pm 0.05\text{mm}$

SCALE 1:2

Circuits	Dimensions		Circuits	Dimensions	
	A	B		A	B
2	1.25	7.45	11	12.50	18.70
3	2.50	8.70	12	13.75	19.95
4	3.75	9.95	13	15.00	21.20
5	5.00	11.20	14	16.25	22.45
6	6.25	12.45	15	17.50	23.70
7	7.50	13.70	20	23.75	29.95
8	8.75	14.95	25	30.00	36.20
9	10.00	16.20	30	36.25	42.45
10	11.25	17.45			

MARK	REVISION	DESCRIPTION	SIGNATURE	DATE	TOLERANCE	TITLE:	DRAWN:	CHECKED:	APPROVED:	REV.:	DRAWING NO.:
A4	1	Uniformly arrange the drawings	Shen	2021.08.30	X.X $\pm 0.30$	DF14 SMT 90° Wafer	Shen 2021.8.30			A4	KONNRA 东莞市康瑞电子有限公司 DongGuan Konnra Electronics Co.,Ltd. PART NO.: C1255RS***09M0101RA DRAWING NO.: 1255WRS101-A-S
A3	2	Change the part number and frame format	LJT	2020.03.30	X.XX $\pm 0.20$						
	3				X.XXX $\pm 0.10$						
					Angle $\pm 2^{\circ}$	UNIT:mm	SCALE:1/1	SHEET:1/1	PROJECTION		