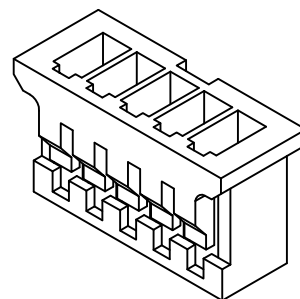
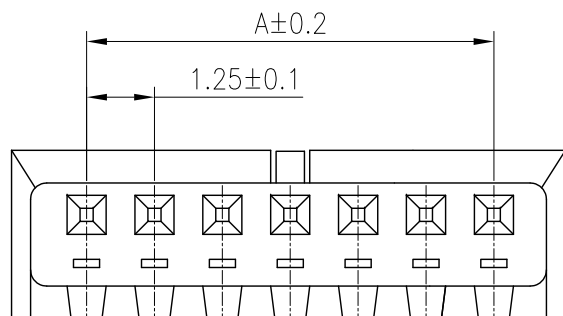


RoHS
COMPLIANT



SPECIFICATIONS

1. Current rating: 1A AC, DC
2. Voltage rating: 200V AC, DC
3. Temperature range: $-40^{\circ}\text{C} \sim +105^{\circ}\text{C}$
4. Insulation resistance: 1000M Ω / min.
5. Withstanding voltage: 500V AC/ minute.
6. Contact resistance: 20m Ω / max.

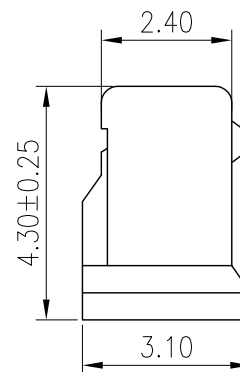
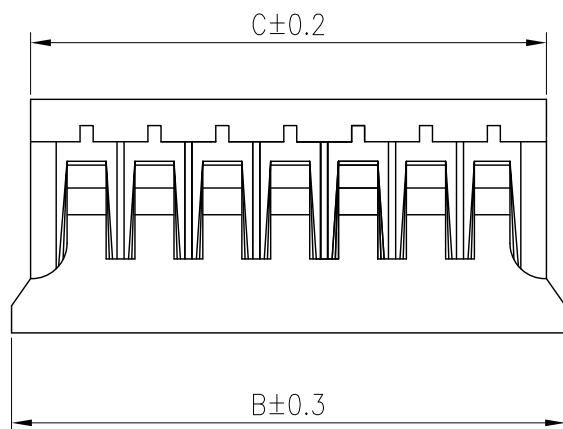
Material: PA66 UL94 V-0
Suitable KR1254 series terminal
Mate with KR1254 series wafer

Ordering Code:

H12540 102 17 01A

No. of Circuits
102:02, 115:15

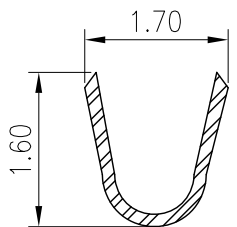
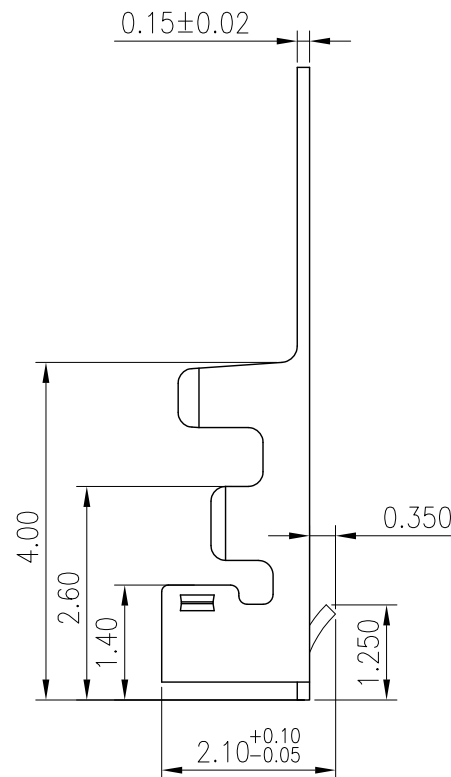
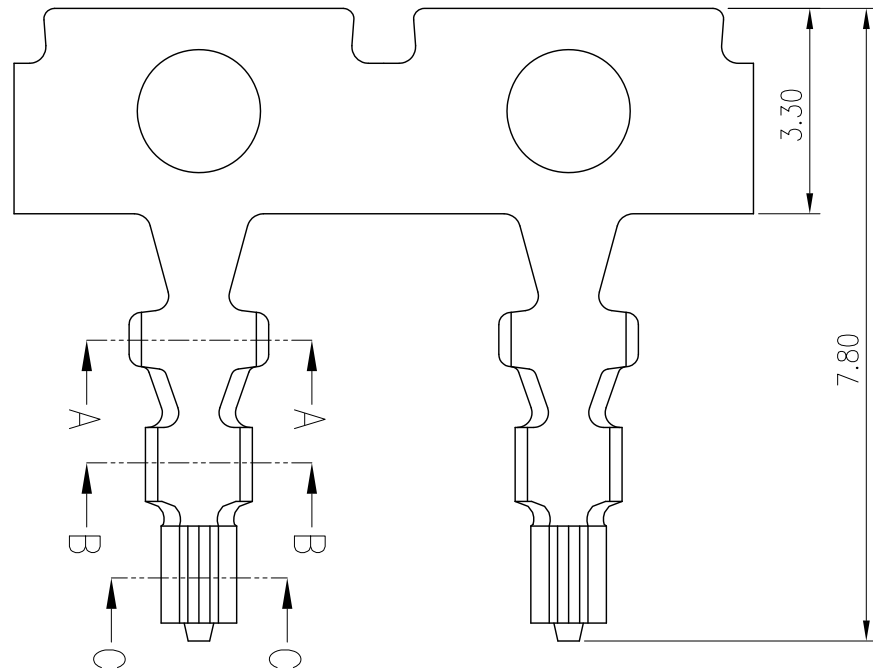
Insulator Material
17:PA66 Brown V0



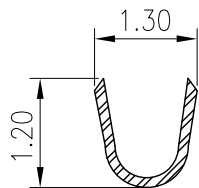
Circuits	Dimensions			Circuits	Dimensions		
	A	B	C		A	B	C
2	1.25	3.95	3.25	9	10.00	12.70	12.00
3	2.50	5.20	4.50	10	11.25	13.98	13.25
4	3.75	6.45	5.75	11	12.50	15.20	14.50
5	5.00	7.70	7.00	12	13.75	16.45	15.75
6	6.25	8.95	8.25	13	15.00	17.70	17.00
7	7.50	10.20	9.50	14	16.25	18.95	18.25
8	8.75	11.45	10.75	15	17.50	20.20	19.50

MARK	REVISION	DESCRIPTION	SIGNATURE	DATE	TOLERANCE	TITLE:	DRAWN:	CHECKED:	APPROVED:	REV.:	DRAWING NO.:
A3	1	Uniformly arrange the drawings	Shen	2021.08.30	X.X ± 0.30	JAE 1.25 Housng	Shen 2021.08.30			A3	KONNRA 东莞市康瑞电子有限公司 DongGuan Konnra Electronics Co.,Ltd. PART NO.: H125401081701A DRAWING NO.: 1254H101-A-S
A2	2	Change the part number and frame format	Arvin	2020.03.05	X.XX ± 0.20						
					X.XXX ± 0.10						
					Angle $\pm 2^{\circ}$	UNIT:mm	SCALE:1/1	SHEET:1/1	PROJECTION		

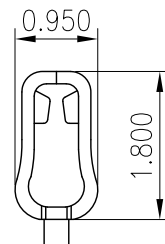
RoHS
COMPLIANT



SECTION A-A



SECTION B-B



SECTION C-C

SPECIFICATIONS

1. Current rating: 3A AC, DC
2. Voltage rating: 250V AC, DC
3. Temperature range: -40°C ~ +105°C
4. Insulation resistance: 1000MΩ/ min.
5. Withstanding voltage: 1000V AC/ minute.
6. Contact resistance: 20mΩ/ max.

Material: Phosphor Bronze

Plating: Tin plated over nickel

Applicable wire :

Conductor size: AWG#28~#32

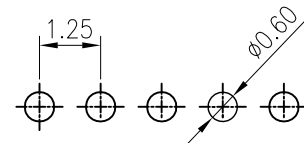
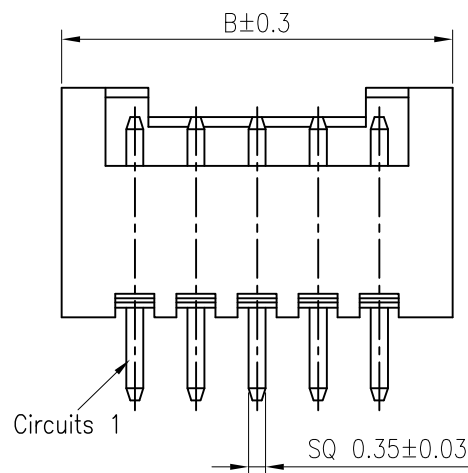
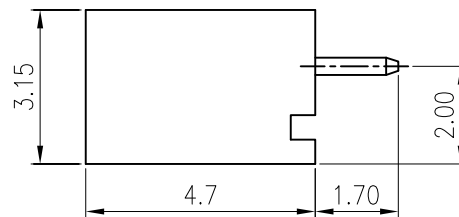
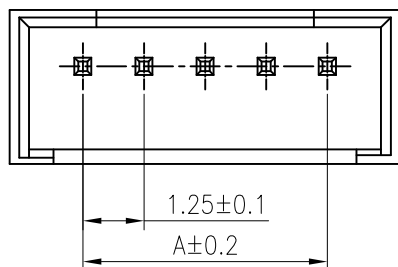
Insulation O.D.: 1.00mm Max.

Suitable KR1254 series housing

Q'ty/Reel: 10,000 PCS

F	MARK	REVISION DESCRIPTION	SIGNATURE	DATE	TOLERANCE	TITLE:	DRAWN:	KONNRA 东莞市康瑞电子有限公司 DongGuan Konnra Electronics Co.,Ltd.			
		Uniformly arrange the drawings	Shen	2021.08.30	X.X ±0.30	JAE 1.25 Terminal	Shen 2021.08.30				
		Change the part number and frame format	Arvin	2020.04.10	X.XX ±0.20		CHECKED:				
					X.XXX ±0.10		APPROVED:				
					Angle ±2°	UNIT:mm	SCALE:1/1	SHEET:1/1	PROJECTION	REV.:A5	DRAWING NO.:1254T101-A-S

RoHS
COMPLIANT



Recommended P.C.B. Layout
Total tolerance:±0.05mm

SPECIFICATIONS

1. Current rating: 3A AC, DC
2. Voltage rating:250V AC,DC
3. Temperature range: -40°C ~ +105°C
4. Insulation resistance: 1000MΩ/ min.
5. Withstanding voltage: 1000V AC/ minute.
6. Contact resistance: 20mΩ/ max.

Material:

Insulator: PA66 UL94 V-0

Contact: Brass

Plating: Tin plated over Nickel

Mate with KR1254 series housing

Ordering Code:

C1254VD *** 17 T01 01PA

No.of Circuits

102:02,115:15

Insulator Material

17:PA66 Brown V0

Plating

T01: Tin plated

Circuits	Dimensions		Circuits	Dimensions	
	A	B		A	B
2	1.25	4.25	9	10.00	13.00
3	2.50	5.50	10	11.25	14.25
4	3.75	6.75	11	12.50	15.50
5	5.00	8.00	12	13.75	16.75
6	6.25	9.25	13	15.00	18.00
7	7.50	10.50	14	16.25	19.25
8	8.75	11.75	15	17.50	20.50

MARK	REVISION DESCRIPTION	SIGNATURE	DATE
A4			
A3	Uniformly arrange the drawings	Shen	2021.08.30
A2	Change the part number and frame format	Arvin	2020.04.10

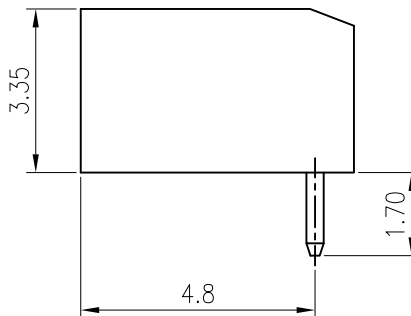
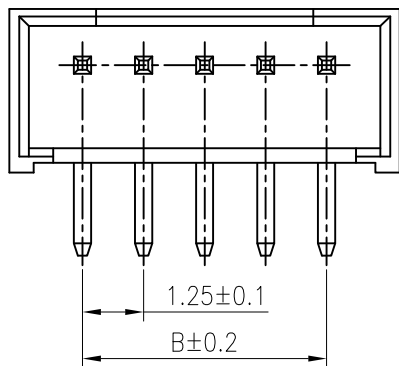
TOLERANCE
X.X ±0.30
X.XX ±0.20
X.XXX ±0.10
Angle ±2°

TITLE:
JAE 1.25 DIP 180° Wafer
UNIT:mm
SCALE:1/1

DRAWN: Shen 2021.08.30
CHECKED:
APPROVED:
SHEET:1/1
PROJECTION

KONNRA 东莞市康瑞电子有限公司 DongGuan Konnra Electronics Co.,Ltd.
PART NO.:C1254VD***17T0101PA
REV.:A3
DRAWING NO.:1254WVD101-A-S

RoHS
COMPLIANT



SPECIFICATIONS

1. Current rating: 3A AC, DC
2. Voltage rating: 250V AC, DC
3. Temperature range: -40°C ~ +105°C
4. Insulation resistance: 1000MΩ/ min.
5. Withstanding voltage: 1000V AC/ minute.
6. Contact resistance: 20mΩ/ max.

Material:

Insulator: PA66 UL94 V-0

Contact: Brass

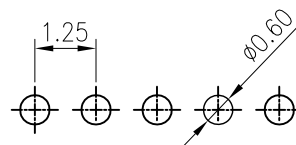
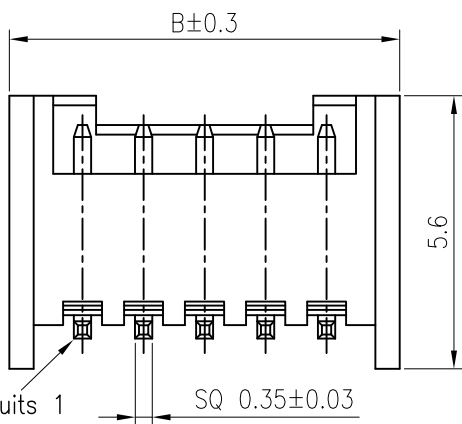
Plating: Tin plated over Nickel

Mate with KR1254 series housing

Ordering Code:

C1254RD *** 17 T01 01PA

No. of Circuits 102:02, 115:15
 Insulator Material 17: PA66 Brown V0
 Plating T01: Tin plated



Recommended P.C.B. Layout
 Total tolerance: ±0.05mm

Circuits	Dimensions		Circuits	Dimensions	
	A	B		A	B
2	1.25	4.25	9	10.00	13.00
3	2.50	5.50	10	11.25	14.25
4	3.75	6.75	11	12.50	15.50
5	5.00	8.00	12	13.75	16.75
6	6.25	9.25	13	15.00	18.00
7	7.50	10.50	14	16.25	19.25
8	8.75	11.75	15	17.50	20.50

MARK	REVISION	DESCRIPTION	SIGNATURE	DATE
A4	1			
A3	2	Uniformly arrange the drawings	Shen	2021.08.30
A2	3	Change the part number and frame format	Arvin	2020.04.10

TOLERANCE
X.X ±0.30
X.XX ±0.20
X.XXX ±0.10
Angle ±2°

TITLE:
JAE 1.25 DIP 90° Wafer
UNIT: mm
SCALE: 1/1

DRAWN:
Shen 2021.08.30
CHECKED:
APPROVED:
SHEET: 1/1
PROJECTION

REV.:
A3
DRAWING NO.: 1254WRD101-A-S

KONNRA 东莞市康瑞电子有限公司
 DongGuan Konnra Electronics Co., Ltd.

PART NO.: C1254RD***17T0101PA