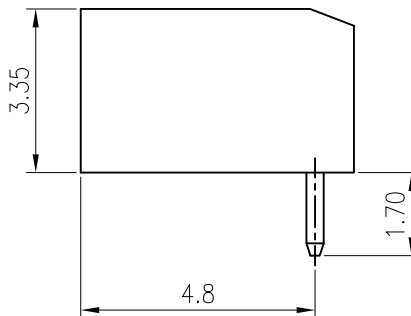
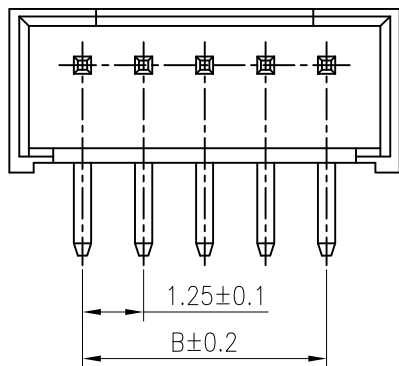


RoHS
COMPLIANT



SPECIFICATIONS

1. Current rating: 3A AC, DC
2. Voltage rating: 250V AC, DC
3. Temperature range: -40°C ~ +105°C
4. Insulation resistance: 1000MΩ/ min.
5. Withstanding voltage: 1000V AC/ minute.
6. Contact resistance: 20mΩ/ max.

Material:

Insulator: PA66 UL94 V-0

Contact: Brass

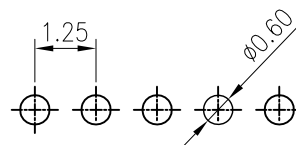
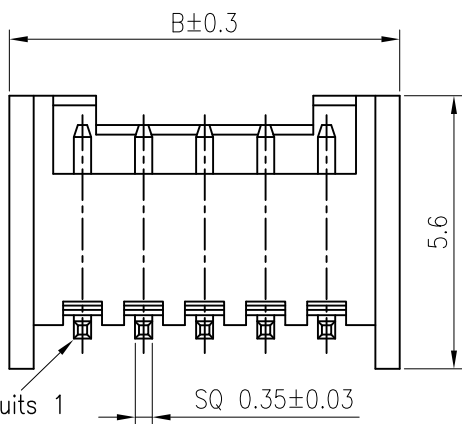
Plating: Tin plated over Nickel

Mate with KR1254 series housing

Ordering Code:

C1254RD *** 17 T01 01PA

No. of Circuits 102:02, 115:15
 Insulator Material 17:PA66 Brown V0
 Plating T01: Tin plated



Recommended P.C.B. Layout
 Total tolerance: ±0.05mm

Circuits	Dimensions		Circuits	Dimensions	
	A	B		A	B
2	1.25	4.25	9	10.00	13.00
3	2.50	5.50	10	11.25	14.25
4	3.75	6.75	11	12.50	15.50
5	5.00	8.00	12	13.75	16.75
6	6.25	9.25	13	15.00	18.00
7	7.50	10.50	14	16.25	19.25
8	8.75	11.75	15	17.50	20.50

MARK	REVISION	DESCRIPTION	SIGNATURE	DATE
A4	1			
A3	2	Uniformly arrange the drawings	Shen	2021.08.30
A2	3	Change the part number and frame format	Arvin	2020.04.10

TOLERANCE
X.X ±0.30
X.XX ±0.20
X.XXX ±0.10
Angle ±2°

TITLE:
JAE 1.25 DIP 90° Wafer
UNIT: mm
SCALE: 1/1

DRAWN:
Shen 2021.08.30
CHECKED:
APPROVED:
SHEET: 1/1
PROJECTION

KONNRA 东莞市康瑞电子有限公司
DongGuan Konnra Electronics Co., Ltd.
PART NO.: C1254RD***17T0101PA
REV.: A3
DRAWING NO.: 1254WRD101-A-S