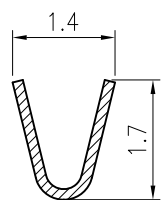
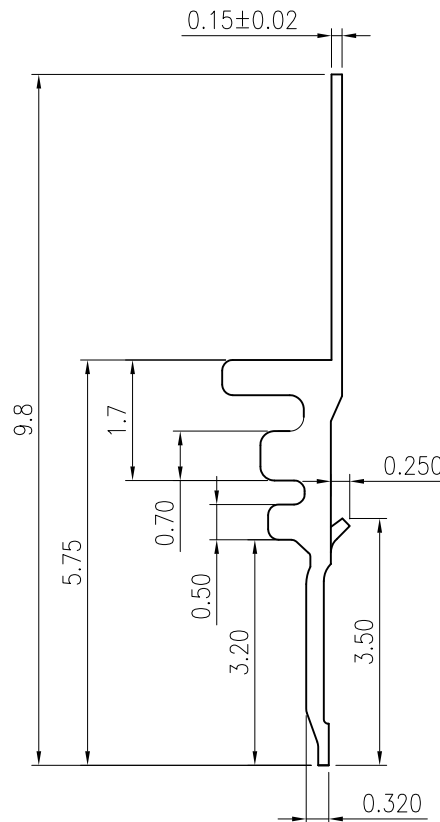
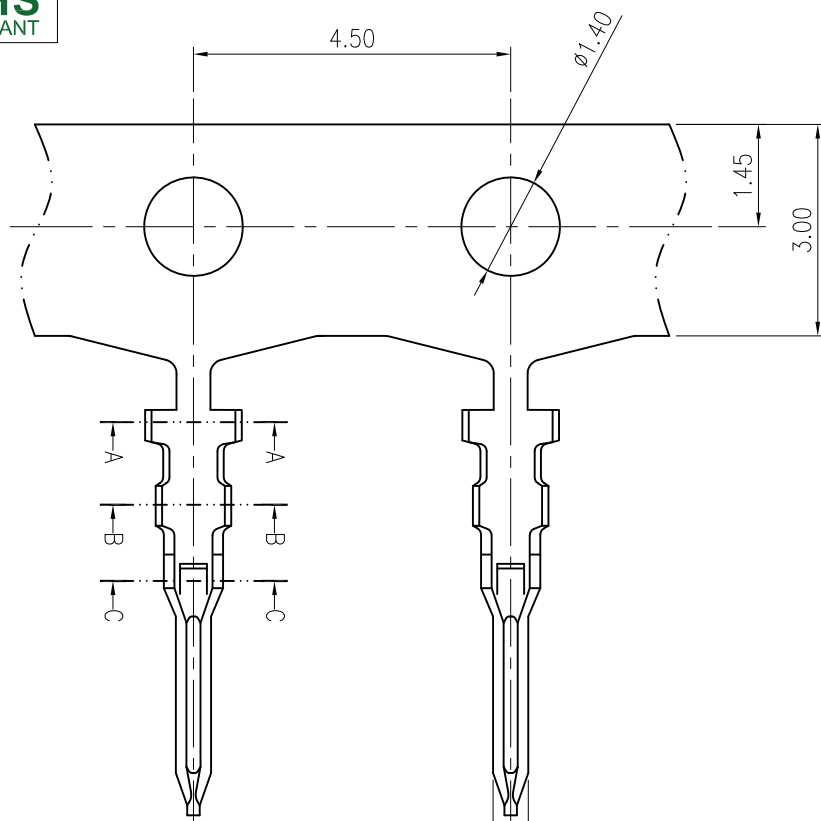
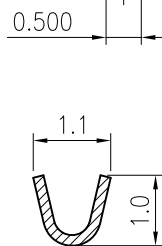


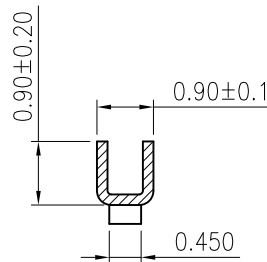
RoHS
COMPLIANT



SECTION A-A



SECTION B-B



SECTION C-C

◆ SPECIFICATIONS

Current rating: 1A AC, DC
Voltage rating: 125V AC, DC
Temperature range: -40°C ~ +105°C
Insulation resistance: 100MΩ/ min.
Withstanding voltage: 250V AC/ minute.
Contact resistance: 20mΩ/ max.

Material: PHOSPHOR BRONZE
Applicable wires:
Conductor size: AWG#28-#32
Insulation O.D.: 1.00mm Max.
Plating: Tin plated
Suitable: 1252 series Housing

				TOLERANCE	TITLE:		DRAWN: Shen 2021.08.30		KONNRA 东莞市康瑞电子有限公司		
F			Uniformly arrange the drawings	Shen	2021.08.30	MX1.25 Base plate Terminal lengthen	CHECKED:		DongGuan Konnra Electronics Co.,Ltd.		
			Change the part number and frame format	TLX	2020.03.20		APPROVED:		PART NO.: T12520PT0101A		
MARK		REVISION DESCRIPTION		SIGNATURE	DATE	UNIT:mm	SCALE: 1/1	SHEET: 1/1	PROJECTION	REV.: A3	DRAWING NO.: 1252T01-A-S
1	2	3	4	5	6	7	8	9			