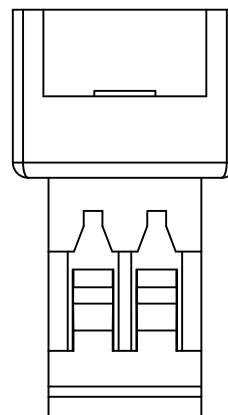
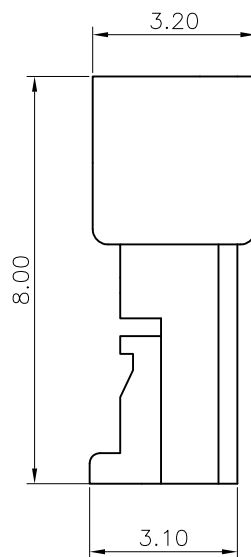
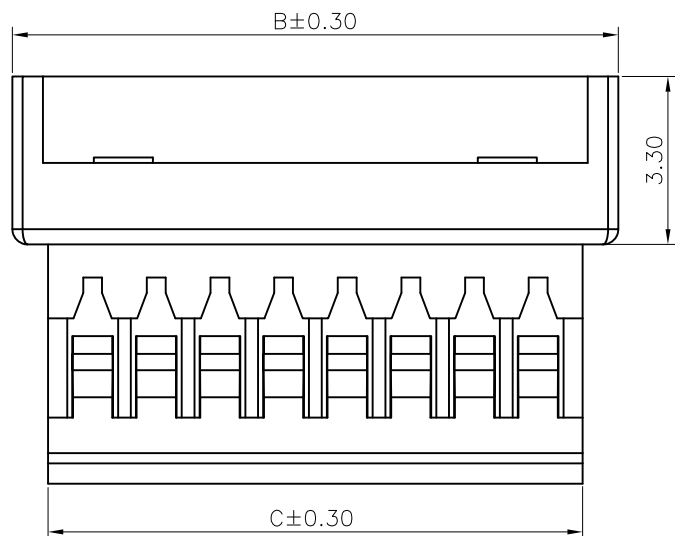
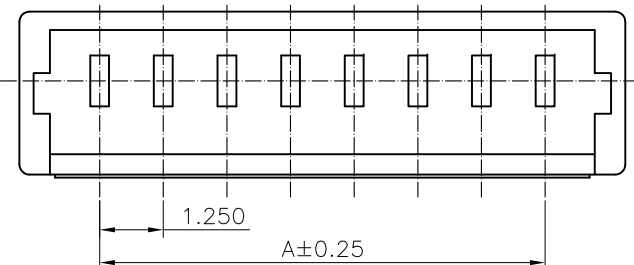
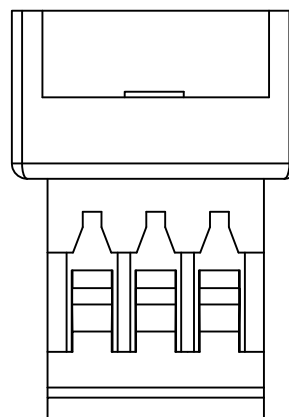


RoHS
COMPLIANT



2P



3P

◆SPECIFICATIONS

- Current rating: 1A AC, DC
- Voltage rating: 125V AC,DC
- Temperature range: -40°C ~ +105°C
- Insulation resistance: 100MΩ Min.
- Withstanding voltage: 250V AC/ minute.
- Contact resistance: 20m Ω Max.

Material:

Insulator: Nylon 66/PBT UL 94V-0

Circuits: 2~16

Suitable: KR1251 series Terminal

Mates With KR1251 series Housing

Q'ty: 1,000PCS

Ordering Code:

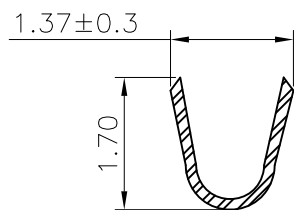
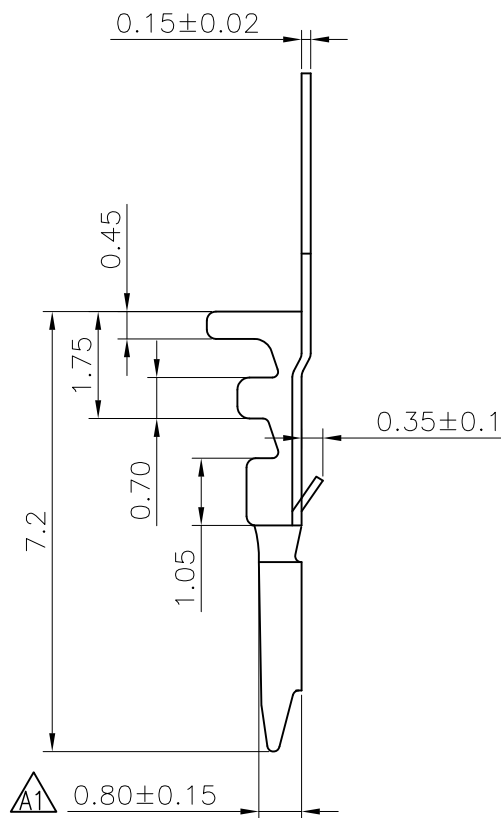
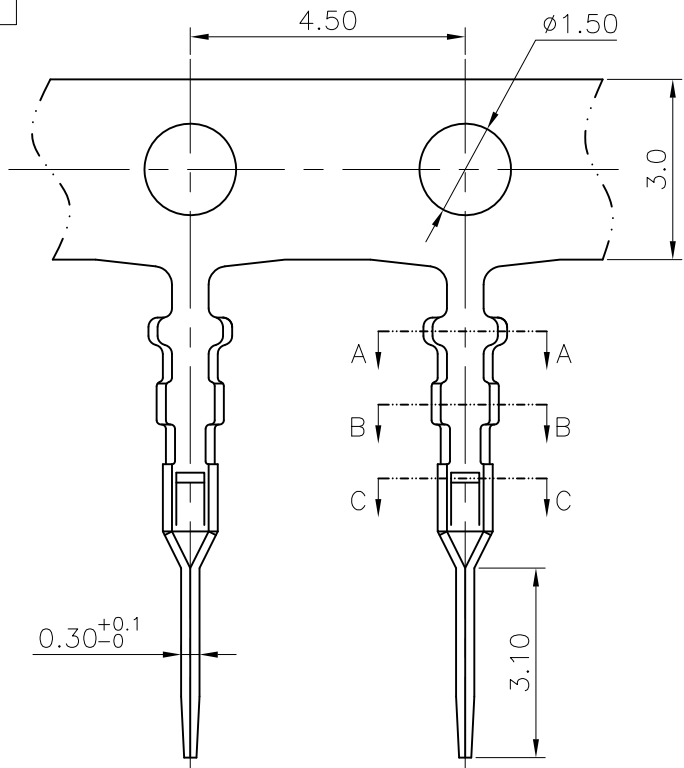
H125101****0*A

- 00: Halogen free
- 01: Conventional products
- 01:PA66 UL94 V-0 white
- 05:PBT black
- 24:PBT white

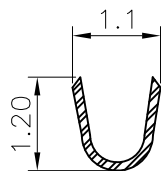
Circuits	A	B	C
2	1.25	4.40	3.10
3	2.50	5.65	4.35
4	3.75	6.90	5.60
5	5.00	8.15	6.85
6	6.25	9.60	8.10
7	7.50	10.65	9.35
8	8.75	11.90	10.60
9	10.00	13.15	11.85
10	11.25	14.40	13.10
11	12.50	15.65	14.35
12	13.75	16.90	15.60
13	15.00	18.15	16.85
14	16.25	19.40	18.10
15	17.50	20.65	19.35
16	18.75	21.90	20.60

F		Revise the drawings according to the reality	Shen	2023.02.10	TOLERANCE X.X ±0.30 X.XX ±0.20 X.XXX ±0.10 Angle ±2°	TITLE: MX1.25 Air docking Housing	DRAWN: Shen 2021.08.30		KONNRA 东莞市康瑞电子有限公司 DongGuan Konnra Electronics Co.,Ltd. PART NO.: H125101****0*A	
		Uniformly arrange the drawings	Shen	2021.08.30			CHECKED:			
		Change the part number and frame format	TLX	2020.03.28			APPROVED:			
MARK	REVISION DESCRIPTION	SIGNATURE	DATE	UNIT:mm	SCALE:1/1	SHEET:1/1	PROJECTION	REV.:A4	DRAWING NO.:1251H101-A-S	

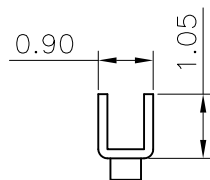
RoHS
COMPLIANT



SECTION A-A



SECTION B-B



SECTION C-C

◆ SPECIFICATIONS

- Current rating: 1A AC, DC
- Voltage rating: 125V AC,DC
- Temperature range: -40°C ~ +105°C
- Insulation resistance: 100MΩ Min.
- Withstanding voltage: 250V AC/ minute.
- Contact resistance: 20mΩ Max.

Material: Phosphor Bronze

Plating: Tin plated over Nickel

Applicable wire:

AWG#28~#32

Insulation O.D. 1.00mm Max.

Suitable: KR1251 series Housing

Q'ty: 20,000PCS/Reel

F		Uniformly arrange the drawings	Shen	2021.08.30	TOLERANCE X.X ±0.3 X.XX ±0.2 X.XXX ±0.1 Angle ±2°	TITLE: MX1.25 Air docking Terminal	DRAWN: Shen 2021.08.30		KONNRA 东莞市康瑞电子有限公司			
		Change the part number and frame format	TLX	2020.05.09			CHECKED:		DongGuan Konnra Electronics Co.,Ltd.			
	MARK		REVISION DESCRIPTION	SIGNATURE			DATE	APPROVED:		PART NO.: T1251MPT0101A		
	1	2	3	4			5	6	7	8	9	
					UNIT:mm	SCALE:1/1	SHEET:1/1	PROJECTION	REV.:A3	DRAWING NO.:1251T01-A-S		